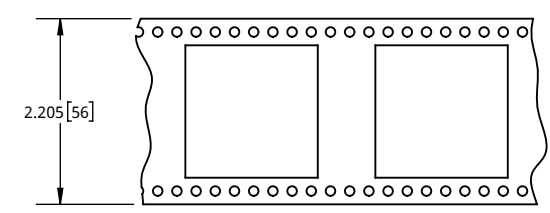
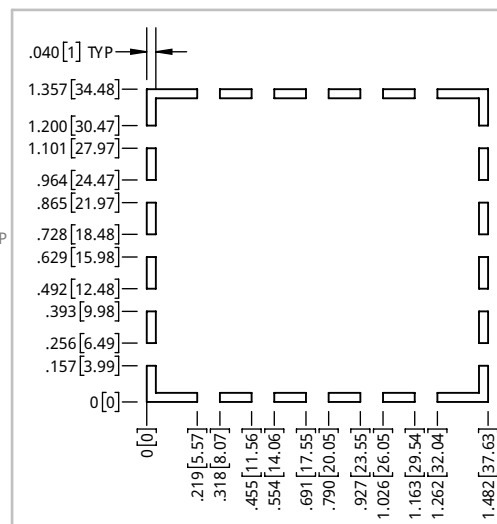
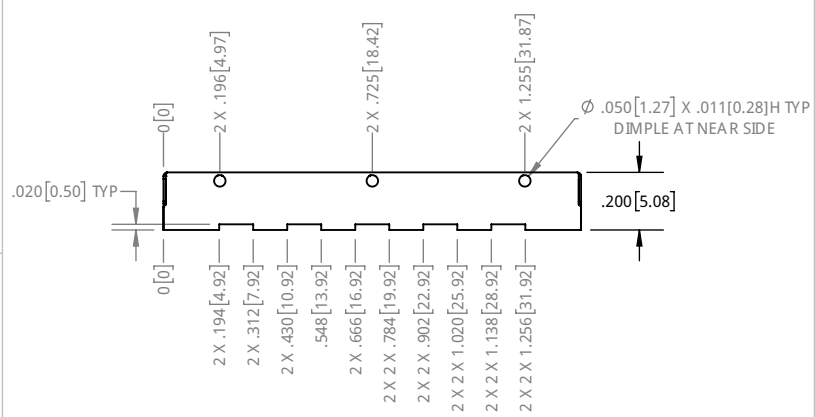
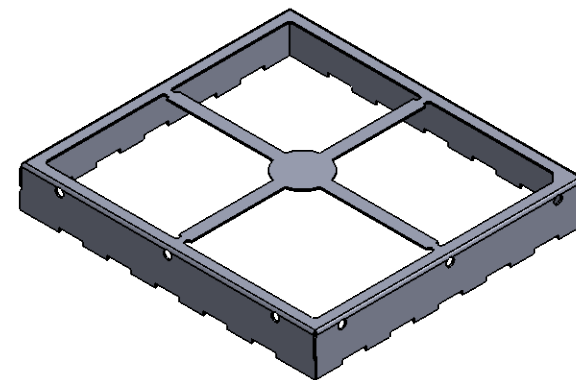
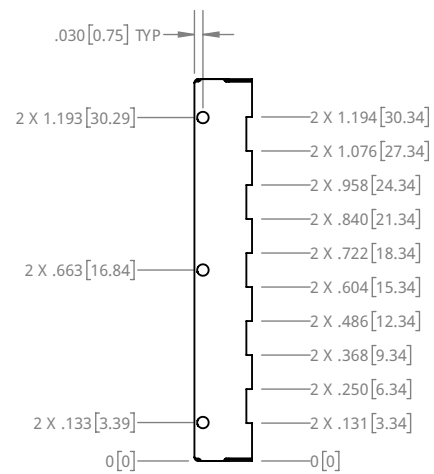
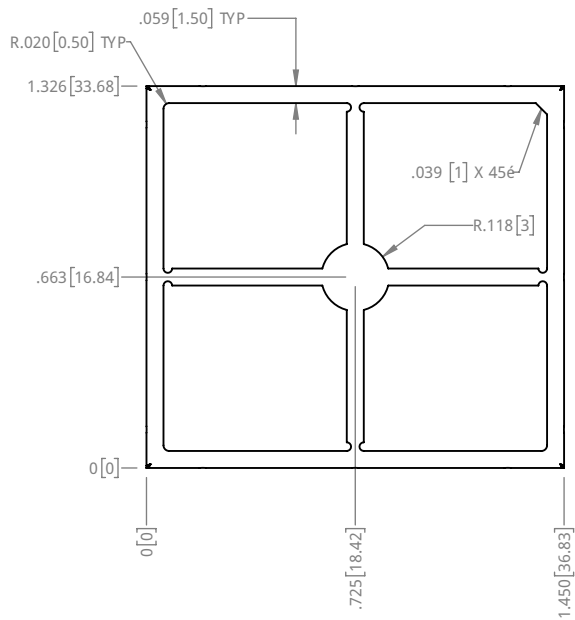


NOTES:

1. MATERIAL: 0.008" TIN PLATED STEEL PER ASTM A623/A624
2. PARTS PER REEL: 200



TAPE AND REEL

PROPRIETARY NOTICE: THESE DRAWINGS, LISTS OR SPECIFICATIONS ARE THE CONFIDENTIAL INFORMATION AND/OR TRADE SECRET OF 3G SHIELDING SPECIALTIES, P., AND SHALL REMAIN THE PROPERTY OF 3G SHIELDING SPECIALTIES, P. AND SHALL NOT BE REPRODUCED, RE-transmitted, USED FOR THE PHYSICAL MANUFACTURE OR SALE OF EQUIPMENT OR USED FOR ANY OTHER PURPOSE OTHER THAN EVALUATION.

UNLESS OTHERWISE SPECIFIED  
U/M INCHES  
TOLERANCE ±0.005

ROHS COMPLIANCE  
2011/65/EU

DATE 16-01-26



PART NUMBER <b>PIC-S-206F</b>	REV. <b>0</b>
DESCRIPTION <b>SHIELD FRAME</b>	
SCALE <b>1.5:1</b>	SHEET <b>1 OF 1</b>