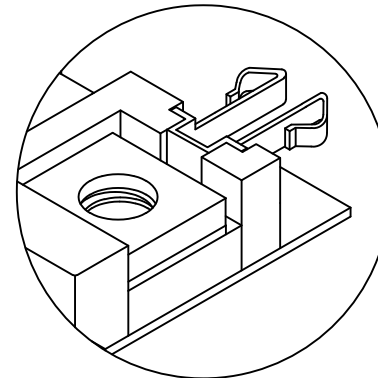
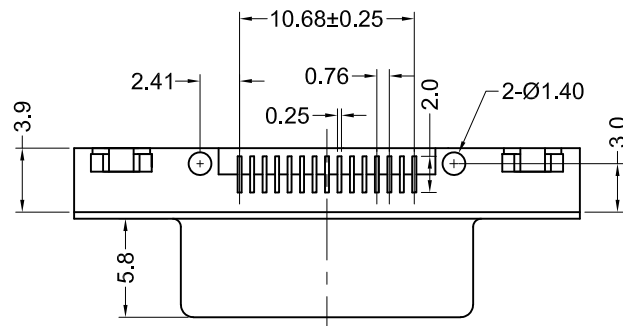
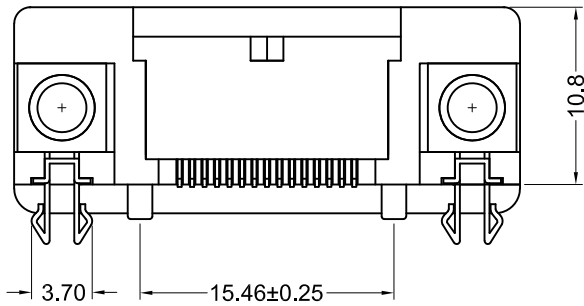
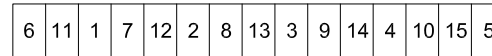


Recommended PCB Layout
(Component Side)

Pin Numbering



Fork Board Lock Type

Material and Finish

Shell: Steel, nickel plated
 Insulator:
 high temp. thermoplastic,
 UL 94V-0 rated, black color,
 reflow process compatible

Contact Material:
 Socket-Phosphor Bronze

Contact Plating Options:
 30 Option: .000030" [0.00076mm] gold
 on mating end,
 tin on termination end,
 with entire contact nickel

15 Option: .000015" [0.00038mm] gold
 on mating end,
 tin on termination end,
 with entire contact nickel

Standard: Gold flash on mating end,
 tin on termination end, with nickel
 underplate on entire contact

Electrical Specifications

Rated Current: 2A
 Rated Voltage: 30V RMS
 Withstanding Voltage:
 500V (rms) AC for 1 min
 Insulation Resistance:
 more than 1000 megohm
 at 500V DC
 Contact Resistance:
 13 milliohm max.
 Dielectric Strength:
 1000V for 1 minute
 Operating Temperature:
 -55°C to +105°C

Part Number	Contact Area Plating Finish
K202XHT-E15S-N	Gold Flash (standard)
K202XHT-E15S-N15	15u" Gold (15 option)
K202XHT-E15S-N30	30u" Gold (30 option)



Tolerances
X.X ± 0.25
X.XX ± 0.15
Unless Stated
Otherwise

REV.	DATE	DESCRIPTION	REV. BY	CHK. BY	DRAWN BY	DATE
A1	10/28/05	New Drawing	R. Aguirre	H. MA	R. Aguirre	10/03/05
B1	11/29/07	ECO#07-044	WILL. H	H. MA		
B2	5/21/08	ECO# 08-042	S. Vien	H. MA		
B3	10/14/10	ECO #10-074	S. Vien	H. MA		
B4	08/10/18	Address Update	G. Serrato	D. Shehan		

K202XHT-E15S-N

D-Sub, Right Angle, SMT, RoHS Compliant

Low Profile, 15 Pin High Density Female

