

6

5

4

3

2

1

**TECHNICAL DATA**

MATERIAL:  
BODY: UL-CERTIFIED NYLON 6/6, 94V-2.  
SEAL/GASKET: NEOPRENE/BUNA RUBBER

COLOR: BLACK RAL 9005

SEALING COMPLIANCE: IP-68

OPERATIONAL TEMPERATURE: -40°C TO +100°C

PROTECTS AGAINST: DUST, WATER, OIL PENETRATING

CABLE RANGE: 5mm TO 11mm

PANEL MOUNTING HOLE: 20.2mm

MAXIMUM RECOMMENDED PANEL THICKNESS: 2.3mm  
(THICKER PANELS MAY BE USED, BUT NEED TO BE TESTED AND VERIFIED BY INSTALLER)

TORQUE LOCK NUT TO 6 ± 1 in-lbf

REVISIONS					
REV.	ECR#	ZONE	DESCRIPTION	CHANGED BY/DATE	APPROVED BY/DATE
AA			INITIAL RELEASE	S.J. 10/11/2010	S.J. 10/11/2010
AB	MAN-4439		ADDED NUT TORQUE SPEC	WAL 10/11/2011	

D

D

C

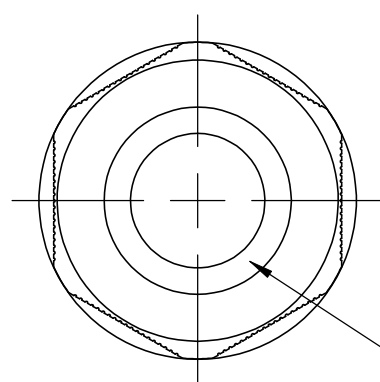
C

B

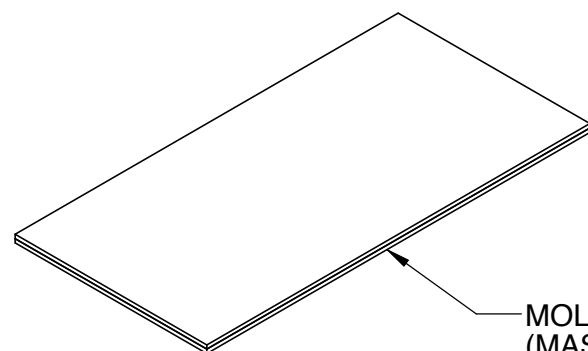
B

A

A



INTERNAL CRUSH SEAL



MOLDABLE SEALANT TAPE (MASTIC TAPE) TO BE USED ON SMALLER CABLE BENEATH CRUSH GLAND TO ENSURE A GOOD SEAL

SEALING NUT

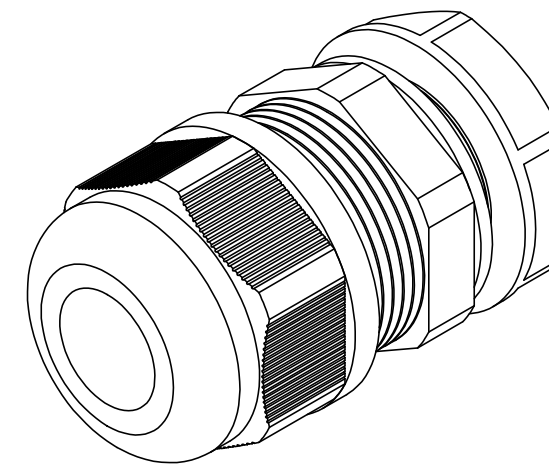
BODY

OUTSIDE SEAL WASHER

LOCK NUT

M20x1.5 THREAD

15 LENGTH OF THREAD



MATERIAL: N/A		THIRD ANGLE PROJECTION			
FINISH: N/A					
APPROVALS		DATE		<p>DO NOT SCALE DRAWING</p> <p>INTERPRET DIMENSIONING AND TOLERANCING IN ACCORDANCE WITH ASME Y14.5M-2009</p> <p>TOLERANCES UNLESS OTHERWISE SPECIFIED</p> <p>DIMENSIONS ARE IN MILLIMETERS</p>	
DRAWN BY	S. JOHNSON	10/11/10			
PROJ. ENG.	R. CHICOINE	10/11/10			
APPL. MECH.	K. SEARL	10/12/10			
MFG.	I. CHICKLIS	10/11/10		ANGLE: ±30' 0 PLACE DECIMAL: ±0.5 1 PLACE DECIMAL: ±0.25 2 PLACE DECIMAL: ±0.13 SURFACE ROUGHNESS 1.6	SIZE <b>A3</b>
THIS DRAWING IS UNPUBLISHED.		RELEASED FOR PUBLICATION		DWG. NO. <b>RJ45-FTMO</b>	
© Copyright 2022 TE Connectivity Ltd.		ALL RIGHTS RESERVED.		SCALE: 1.5:1 PREVIOUS#	
				REV <b>AB</b>	
				SHEET 1 OF 1	

6

5

4

3

2

1