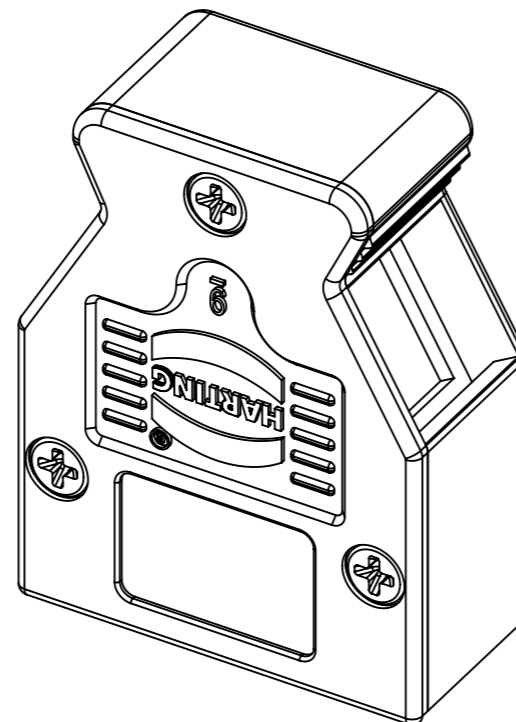


1 For strain relief an additional InduCom cable clamp or a crimp flange and ferrule combination depending on the cable is necessary

6103 001 0022 010 without pos. 05 and internal grounding block



Part Number	Internal grounding block
6103 001 0022	with
6103 001 0022 010	without

Content InduCom hood			Spare parts (MOQ100)	
Pos.	Quantity	Description	Part Number	Quantity
01	1	metal hood		
02	1	metal cover		
03	1	blank piece (not assembled)	6103 000 0042	1
04	2	locking screw (not assembled)	0963 002 0020	1
05	1	grounding screw (not assembled)	0963 002 0007	1
06	3	cover screw M2,5 with philips head (not losable in cover)	0963 002 0006	1

	All rights reserved	Created by SHENGJ	Inspected by WANGSTE	Standardisation HOFFMANN	Date 2019-07-17	State Final Release
	Department EL PD	Title InduCom hood 9-pole T&S entry for slide/spring lock				Doc-Key / ECM-Nr. 100662074/UGD/000/A 500000155112
HARTING Electronics GmbH D-32339 Espelkamp		Type TB	Number 61030010022		Rev. A	Page 1/1