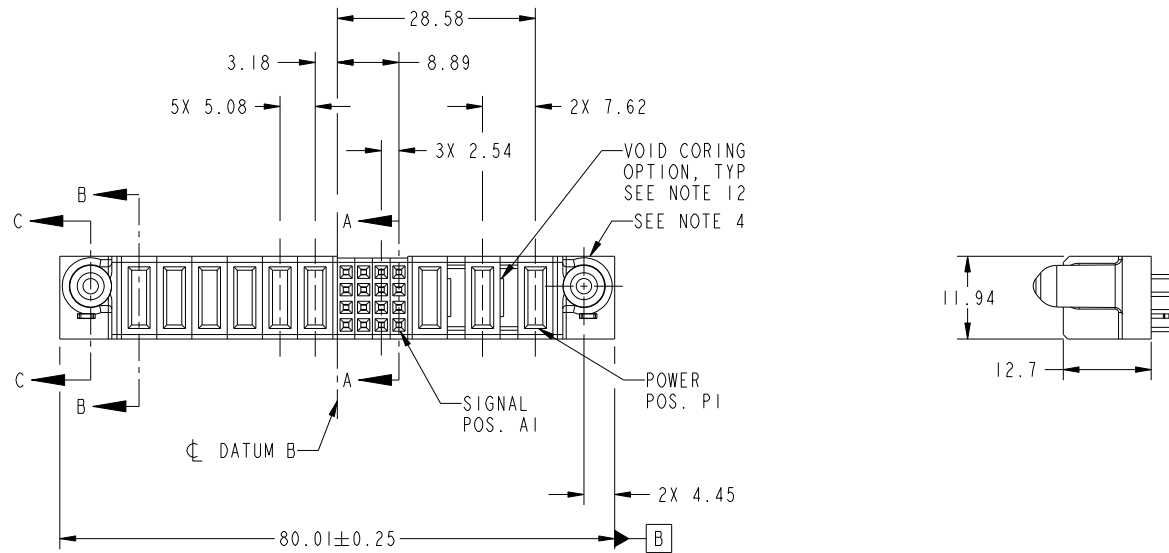


Tous droits strictement reserves. Reproduction ou communication a des tiers interdite sous quelque forme que ce soit sans autorisation écrite du propriétaire. Propriete de c FCI. Droits de reproduction FCI.



All rights strictly reserved. Reproduction or issue to third parties in any form whatever is not permitted without written authority from the proprietor. Property of FCI. Copyright FCI.

PRODUCT NO.	ROWS	POWER						SIGNAL			POWER			E1		
		E2	P9	P8	P7	P6	P5	P4	4	3	2	1	P3		P2	P1
51940-295- NOTE: 3	D C B A															



CODE	DIM "M" MATING LENGTH	CONTACT TYPE
E	[N/A]	SIGNAL
PD	[2.34]	POWER
HA	[N/A]	HOLD-DOWN

mat'l code				SEE NOTES		tolerances unless otherwise specified		CUSTOMER		www.fciconnect.com	
ltr	ecn no.	dr	date	linear	0.X ±0.5	COPY		projection		title	
A	DG09-0207	WD	06/26/09	angles	0.XX ±0.25	MIM				3ACP + 16S + 6P VERTICAL SOLDER RECEPT	
				dr	0.XXX ±0.1	Warren Du 04/29/09		product family		PwrBlade code	
				enr	0° ±2°	Warren Du 04/29/09		size		213	
				chr		PM ZHENG 04/29/09		dwg no		1 of 4	
				appd		Joseph Hsia 04/29/09		A		51940-295	
sheet index	revision sheet	A	A	A	A			scale		1:1	
		1	2	3	4			cage code		22526	

Pro/E

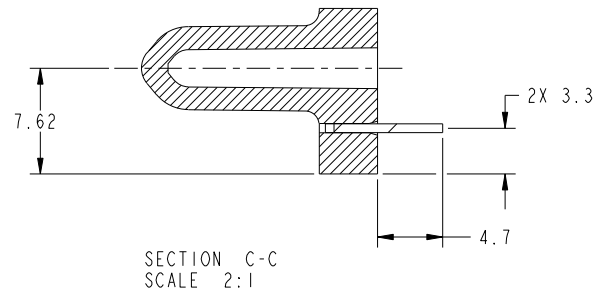
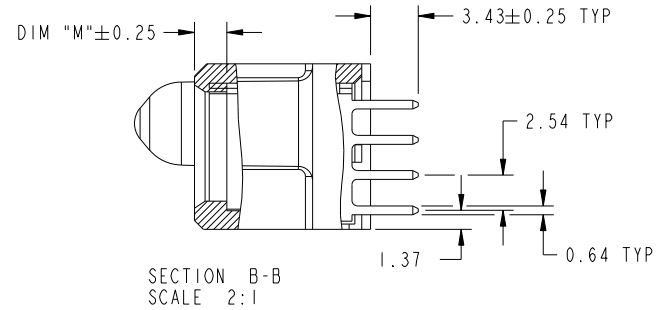
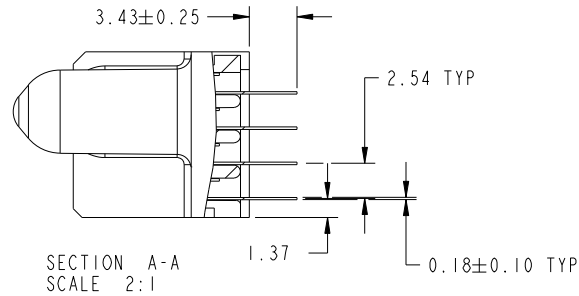
cage code 22526

Tous droits strictement reserves. Reproduction ou communication a des tiers interdite sous quelque forme que ce soit sans autorisation écrite du propriétaire. Propriete de c FCI. Droits de reproduction FCI.

All rights strictly reserved. Reproduction or issue to third parties in any form whatever is not permitted without written authority from the proprietor. Property of FCI. Copyright FCI.



PRODUCT NUMBER
51940-295--
NOTE: 3



mat'l code				tolerances unless otherwise specified		CUSTOMER		FCI	
ltr	ecn no.	dr	date	linear	0.X ±0.5	COPY		www.fciconnect.com	
A					0.XX ±0.25	projection		title	
				angles	0.XXX ±0.1			3ACP + 16S + 6P VERTICAL SOLDER RECEPT	
				dr	0° ±2°			product family PwrBlade code	
				enr	Warren Du 04/29/09	scale		size	
				chr	Warren Du 04/29/09	1:1		dwg no 213	
				appd	PM ZHENG 04/29/09			sheet	
					Joseph Hsia 04/29/09			51940-295	
sheet index	revision sheet							2 of 4	

cage code 22526

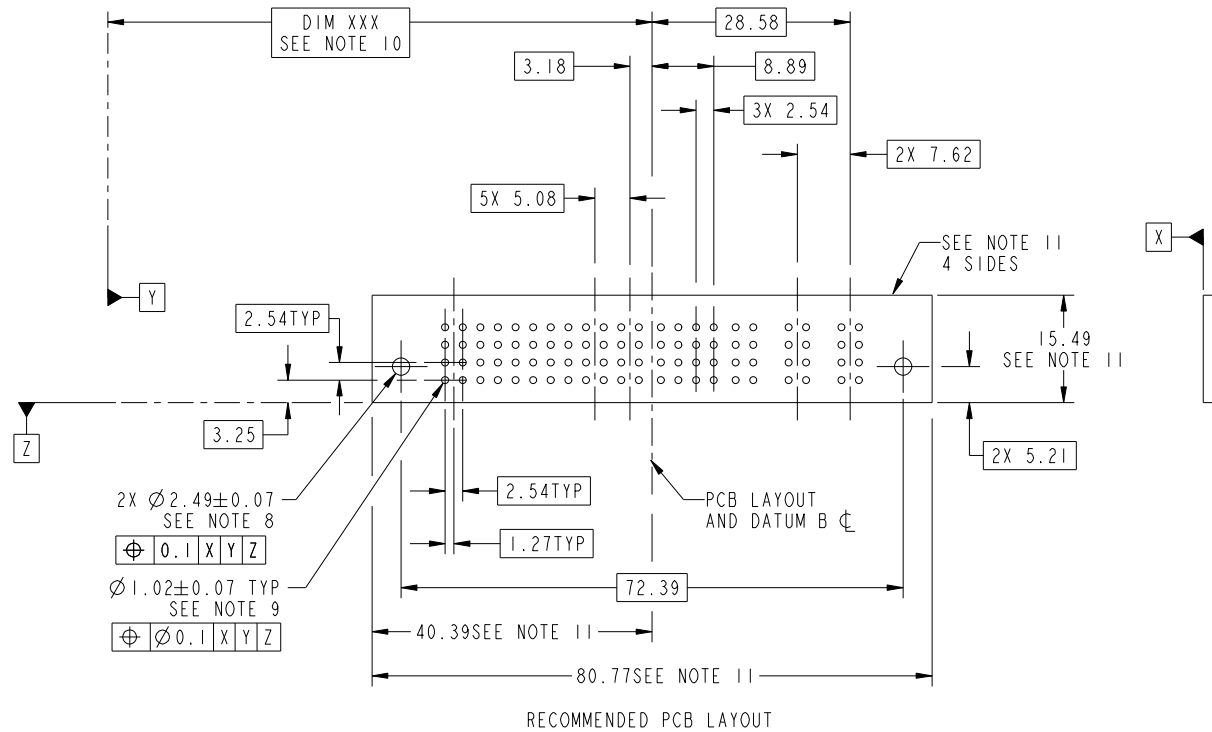
Pro/E

Tous droits strictement reserves. Reproduction ou communication a des tiers interdite sous quelque forme que ce soit sans autorisation ecrite du proprietaire. Propriete de c FCI. Droits de reproduction FCI.



All rights strictly reserved. Reproduction or issue to third parties in any form whatever is not permitted without written authority from the proprietor. Property of FCI. Copyright FCI.

PRODUCT NUMBER
51940-295--
NOTE: 3



RECOMMENDED PCB LAYOUT

mat'l code				tolerances unless otherwise specified		CUSTOMER		www.fciconnect.com					
ltr	ecn no.	dr	date	linear	0.X ± 0.5	COPY			title 3ACP + 16S + 6P VERTICAL SOLDER RECEPT				
A					0.XX ± 0.25	MIM				product family	PwrBlade	code	213
					angles	0.XXX ± 0.1				size	dwg no	sheet	3 of 4
					0° ± 2°	scale		A	51940-295				
				dr	Warren Du	04/29/09							
				enr	Warren Du	04/29/09							
				chr	PM ZHENG	04/29/09							
				appd	Joseph Hsia	04/29/09							
sheet index	revision sheet												

cage code 22526

Pro/E

Tous droits strictement reserves. Reproduction ou communication a des tiers interdite sous quelque forme que ce soit sans autorisation écrite du propriétaire. Propriete de c FCI. Droits de reproduction FCI.

All rights strictly reserved. Reproduction or issue to third parties in any form whatever is not permitted without written authority from the proprietor. Property of FCI. Copyright FCI.



PRODUCT NUMBER
51940-295_
NOTE: 3

NOTES:

1. DIMENSIONS AND TOLERANCES ARE IN ACCORDANCE WITH ASME Y14.5M, 1994 UNLESS OTHERWISE SPECIFIED.

CONNECTOR NOTES:

- ② HOUSING MATERIAL: UL 94 V-0 GLASS FILLED HIGH-TEMP THERMOPLASTIC
POWER CONTACT MATERIAL: COPPER ALLOY
SIGNAL PIN MATERIAL: COPPER ALLOY
- 3. SEE ITEM 5 & 6 IN PRINT 10064183 FOR PLATING SPEC OF 51940-295 AND 51940-295LF RESPECTIVELY.
- ④ MANUFACTURER'S NAME, P/N, AND DATE CODE TO APPEAR ON THIS SURFACE.
- 5. PRODUCT SPECIFICATION GS-12-149.
APPLICATION SPECIFICATION BUS-20-067.
- 6. PACKAGED IN TRAYS.

PCB NOTES:

- 7. ALL HOLE DIAMETERS ARE FINISHED HOLE SIZE.
- ⑧ MOUNTING HOLES, WHERE APPLICABLE, ARE UNPLATED.
- ⑨ $\varnothing 1.151 \pm 0.025$ DRILLED HOLES PLATED WITH
0.008 MIN SnPb OR Sn OVER 0.03
TO 0.08 Cu PLATING TO ACHIEVE
 $\varnothing 1.02 \pm 0.07$ HOLE.
- ⑩ "DIM XXX" TO BE DETERMINED BY THE CUSTOMER.
- ⑪ CONNECTOR KEEP-OUT ZONE.
- 12. THE VOID CORING IN BETWEEN POWER MODULES, SIGNAL MODULES AND END MODULES ARE OPTIONAL AND THE SHAPE MAY BE DIFFERENT FOR OPTIMIZE THE MOLDING PROCESS. THE VOID CORING WILL NOT EFFECT TO PRODUCT FUNCTION.

mat'l code				tolerances unless otherwise specified		CUSTOMER		FCI		
ltr	ecn no.	dr	date	linear	COPY		www.fciconnect.com			
A					0.X ± 0.5		projection	title 3ACP + 16S + 6P VERTICAL SOLDER RECEPT		
					0.XX ± 0.25					
				angles	0.XXX ± 0.1		product family PwrBlade code 213			
					0° + 2°					
				dr	Warren Du	04/29/09	MIM		size	
				enrg	Warren Du	04/29/09			dwg no	
				chr	PM ZHENG	04/29/09	scale		4 of 4	
				appd	Joseph Hsia	04/29/09			A	
sheet index	revision sheet						1:1			

cage code 22526

Pro/E