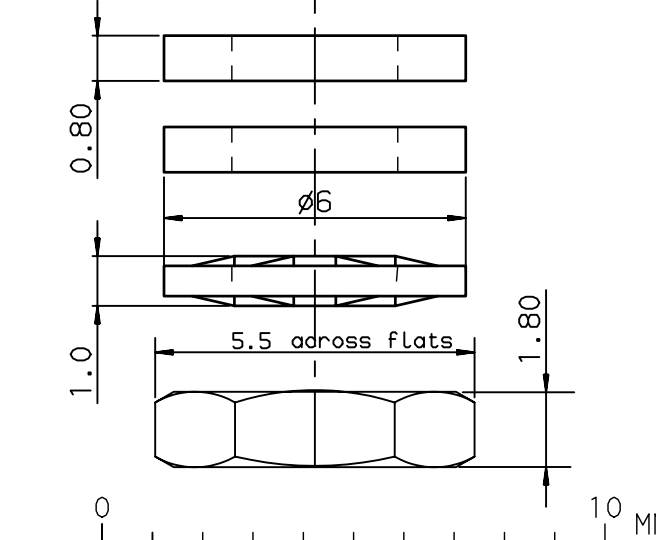
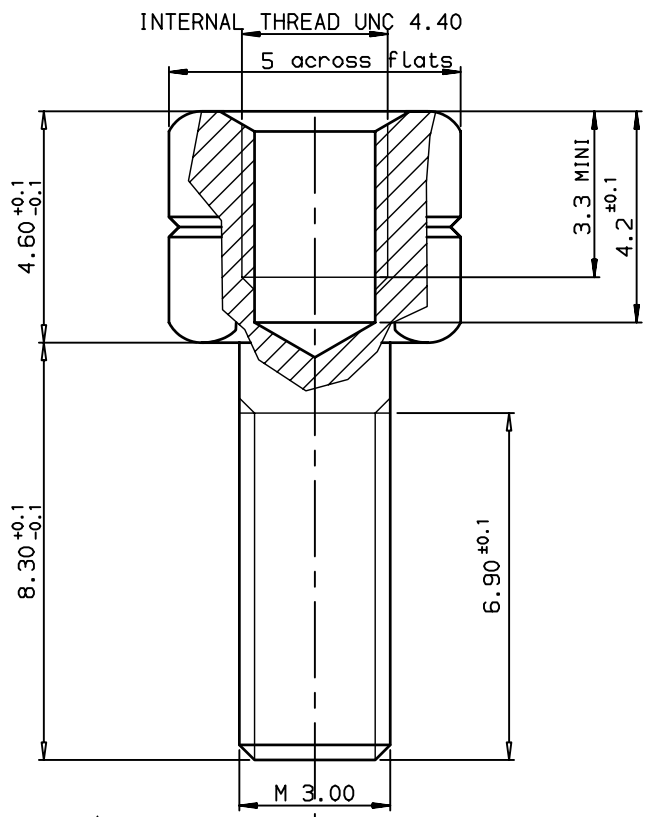


Copyright FCI, FCI



TECHNICAL CHARACTERISTICS :

- Female screw locks: brass, cadmium plated .
- Compensating washer: steel, cadmium plated .
- Nuts : steel, cadmium plated .
- Packaging : per 100 pieces .
- Corrosion resistance : 50 hour exposure to salt spray .

Part number 863001

rev	ecn no	dr	date
A	-	JOU	1995/06/20
B	LS06-0097	LGO	2006/07/28
C	LS07-0001	MPE	2007/01/04
D	LS09-0006	PCR	2008/01/08
E	LS09-0063	PCR	2009/03/25
-	-	-	-
-	-	-	-

www.fciconnect.com		surface ISO 1302 ✓	tolerance std ISO 406 ISO 1101	projection 1st angle	mm
TOLERANCES UNLESS OTHERWISE SPECIFIED					
Dr	JOUBERT	1995/06/20	ANGULAR	0.X ±0.1	size A3
Eng	PESSON	1995/06/20	LINEAR	0.XX ±0.1	Scale 10
Chr	LEGARE	1995/06/20	0.XX' ±2'	0.XXX ±0.1	ECN LS09-0063
Appr	LEGARE	1995/06/20	Product family	D-SUB	Spec ref -
				<b>FEMALE SCREW LOCKS</b> D SUB ACCESSORIES	
catalog no				dwg no	Rev.
-				C01-8655-0677	E
CUSTOMER				sheet 1 of 1	

REV F - 2006-04-17