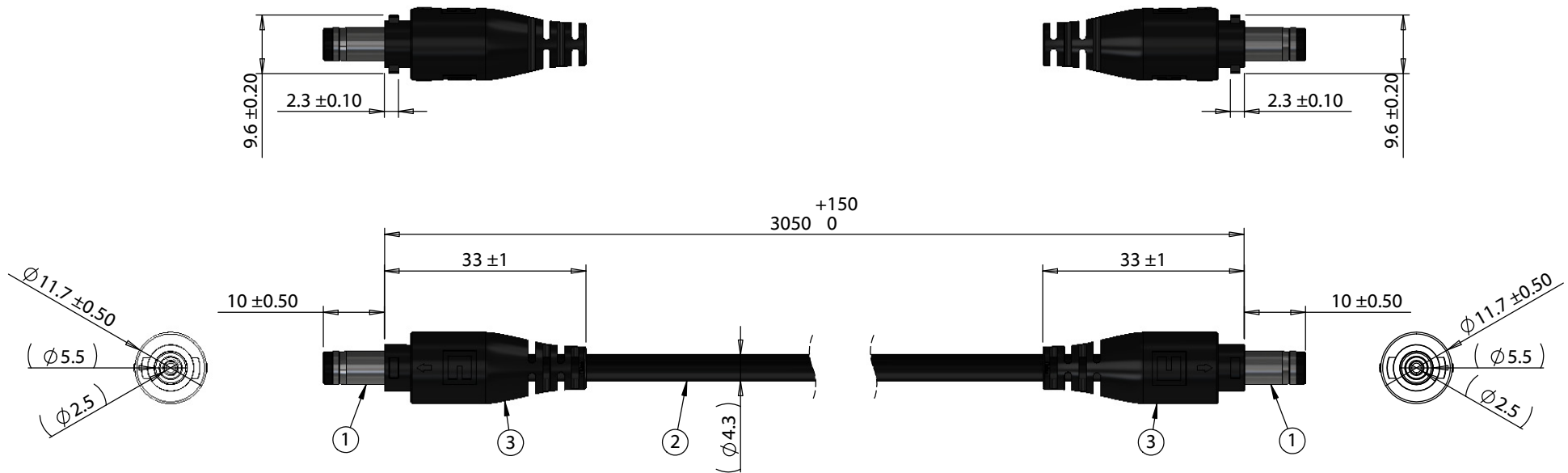


ITEM NO.	PART NUMBER	DESCRIPTION	QTY.	COMPONENT NOTES
1	50-00595	Connector, dc plug, 5.5x2.5xL20.5mm, brass nickel plated	2	
2	30-00689	Wire, 2C TS, 22 AWG, UL2464, 300V, 80C, 4.3 mm, VW-1, PVC	1	
3	24-00161	Overmold, dc plug, twistlock, PVC	2	black



**Notes:**  
Plugs mate with cable assembly: 10-02938 & 10-02980  
Functionally equivalent components may be substituted

Wiring Diagram		
50-00595	wire color	50-00595
center	red	center
sleeve	black	sleeve

Revision:	Date:	Description:	Prepared:	Notes:	<h1>TENSILITY</h1> tel 1.541.323.3228 800 877.670.7118 fax 1.541.323.4202 web tensility.com
A	11/7/2019	Initial release	AW <small>Digitally signed by AW Date: 2019.11.07 16:13:03 -08'00'</small>		
			Verified:	Function test: no open, no short circuit, no intermittent	Size: Part number: A 10-03623
			PS <small>Digitally signed by PS Date: 2019.11.07 16:23:50 -08'00'</small>	Description:	
			Dimensions are in millimeters. Tolerances: X: ± 0.5 mm X.X: ± 0.3 mm X.XX: ± 0.05 mm	Cable, 3050 mm, 5.5x2.5mm 50-00595 dc plug twist lock to same, 22 AWG	Scale: 1:1
					Sheet 1 of 1

5

4

3

2

1