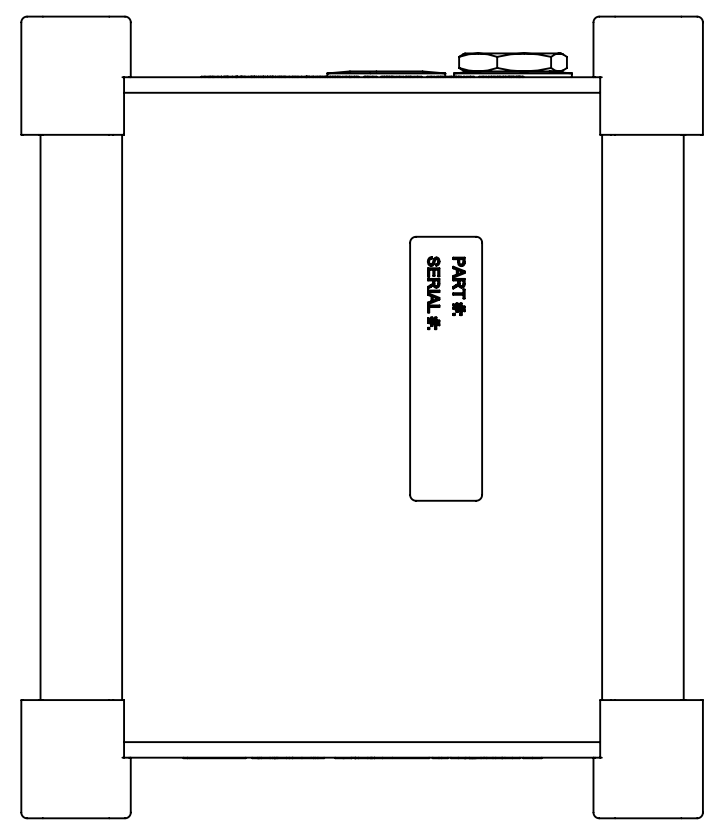
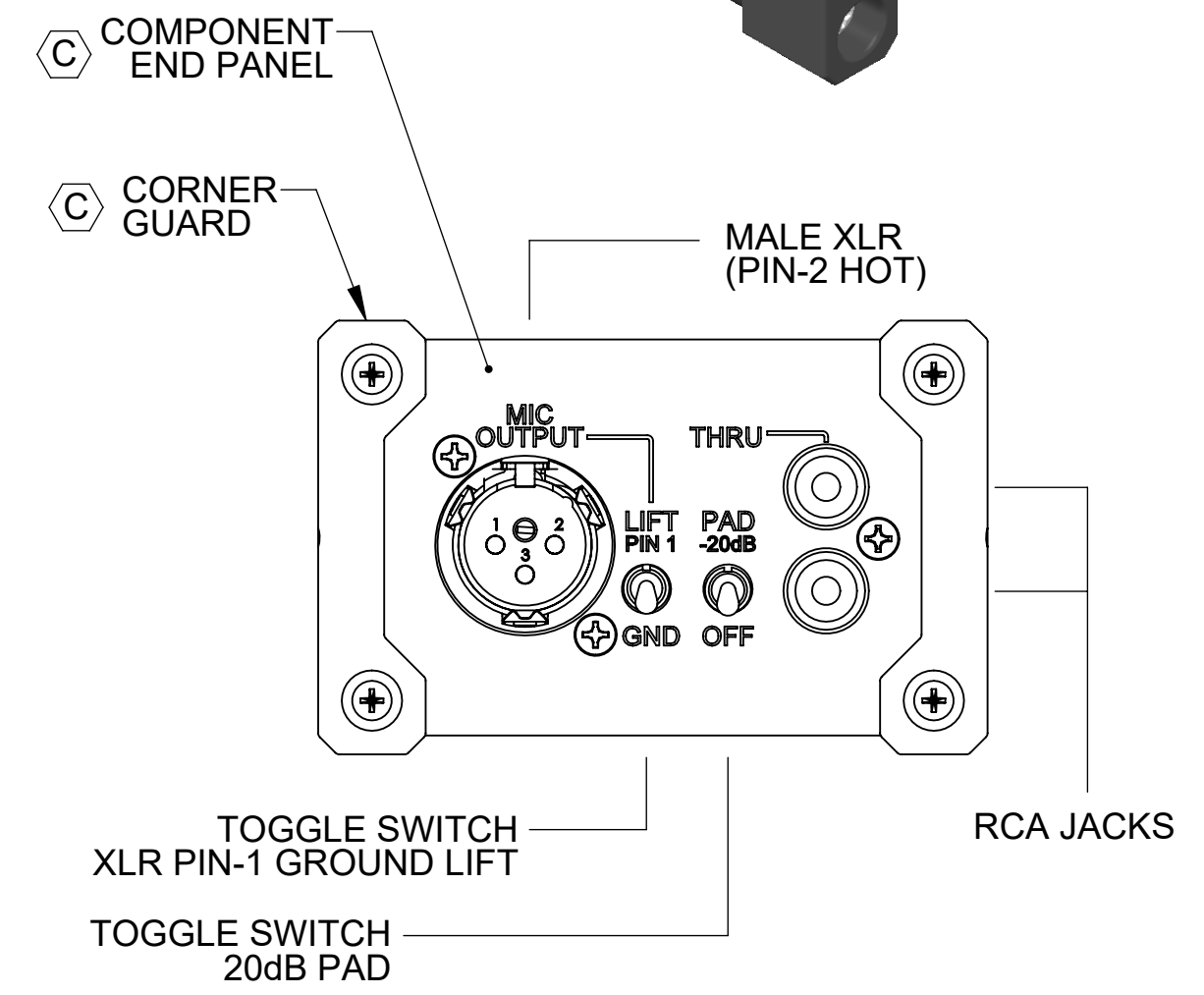
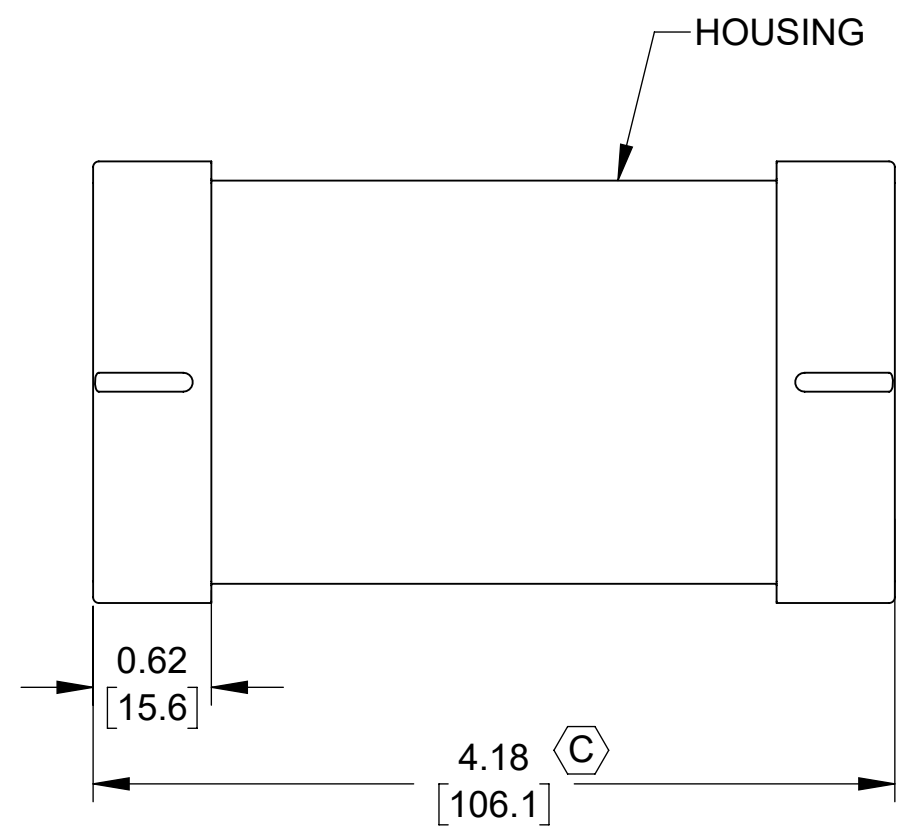
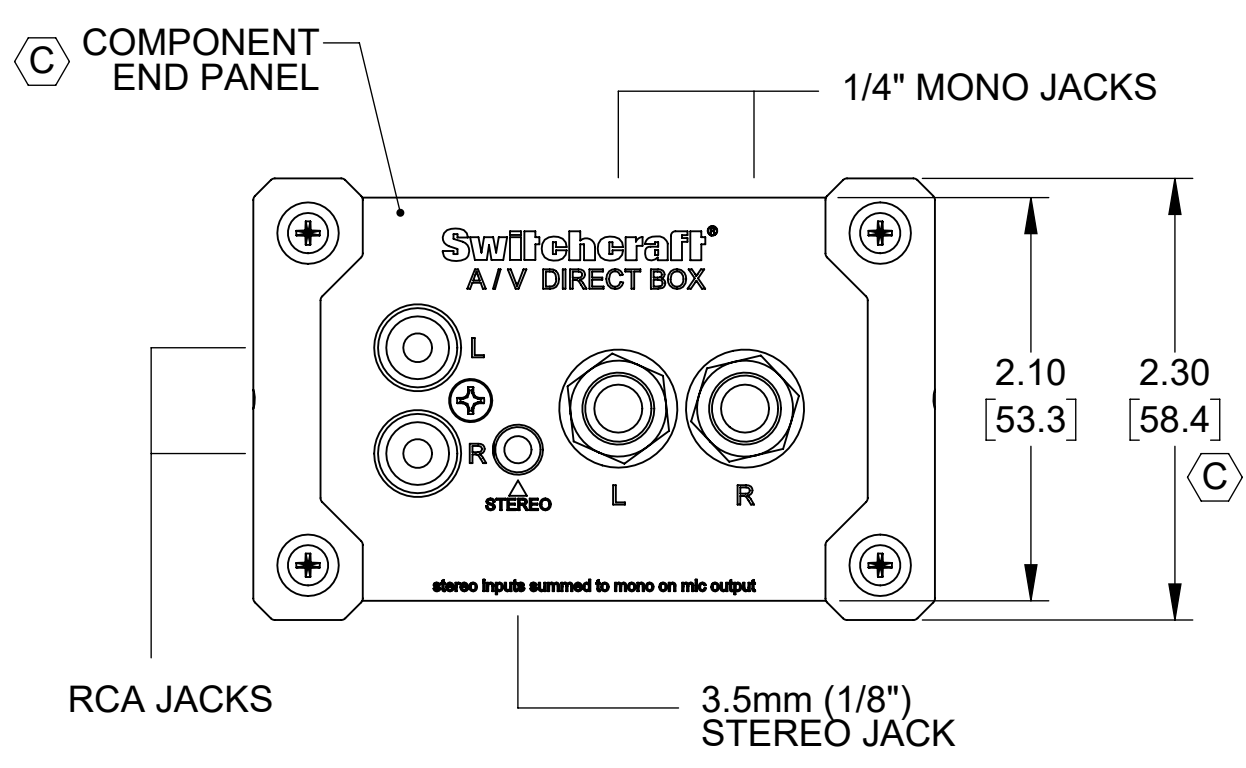
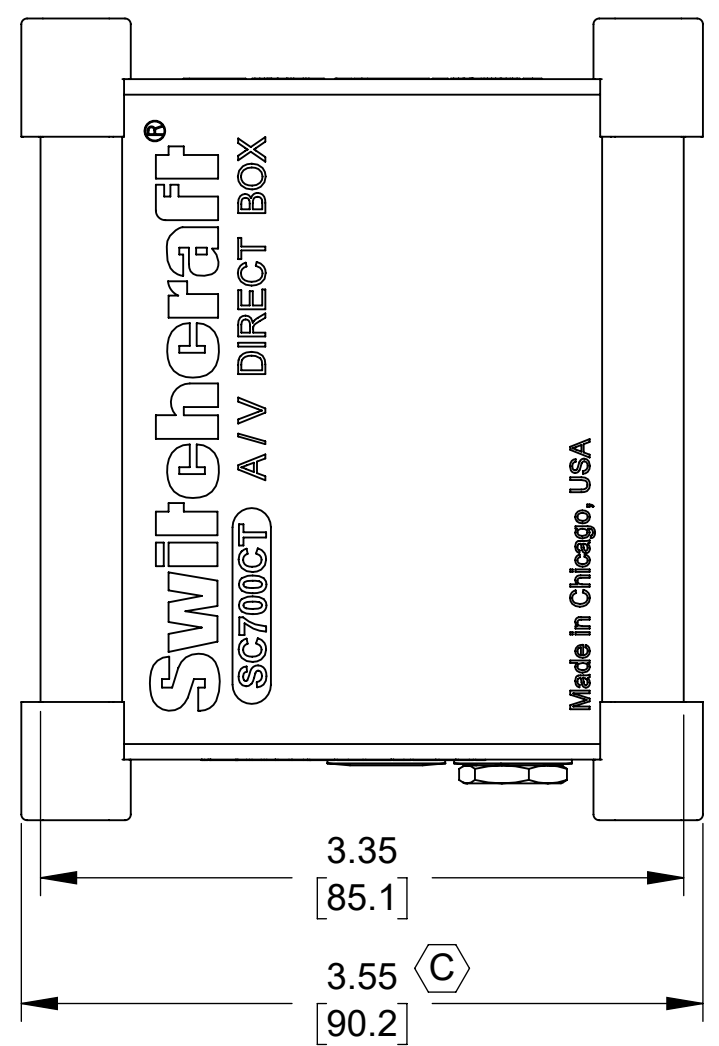


8 7 6 5 4 3 2 1



NOTES:

1. ALL DIMENSIONS FOR REFERENCE ONLY.
2. MATERIALS:
HOUSING & COMPONENT END PANELS - ALUMINUM, BLACK ANODIZED
CORNER GUARDS, PVC, RED
3. LASER ETCHED WHITE TEXT AND ARTWORK.
4. THIS PRODUCT IS RoHS COMPLIANT.

CUSTOMER DRAWING

UNLESS OTHERWISE SPECIFIED					THIS DRAWING DESCRIBES A DESIGN CONSIDERED PROPRIETARY IN NATURE, DEVELOPED AND MANUFACTURED BY SWITCHCRAFT INC. AND IS RELEASED ON A CONFIDENTIAL BASIS FOR IDENTIFICATION PURPOSES ONLY.				
1. ALL DIMENSIONS IN INCHES					SIZE	WIDTH	MULT	LBS/M	TEMPER
- TWO PLACE DECIMALS ±0.02					FINISH				MATERIAL
- THREE PLACE DECIMALS ±0.005					SPEC No.				SPEC No.
DO NOT SCALE DRAWING					FIRST USED ON				SCALE
					DATE DRAWN				1:1
					BY				APVD
					3/2/10				BHM
					CHKD				BHM
					7-20-10				8-10-10
					NAME				PART No.
					A/V DIRECT BOX				SC700CT
					REV				C

SolidWorks CAD File

8 7 6 5 4 3 2 1

F
E
D
C
B
A

F
E
D
C
B
A

SC700CT A/V Direct Box

Audio Specifications

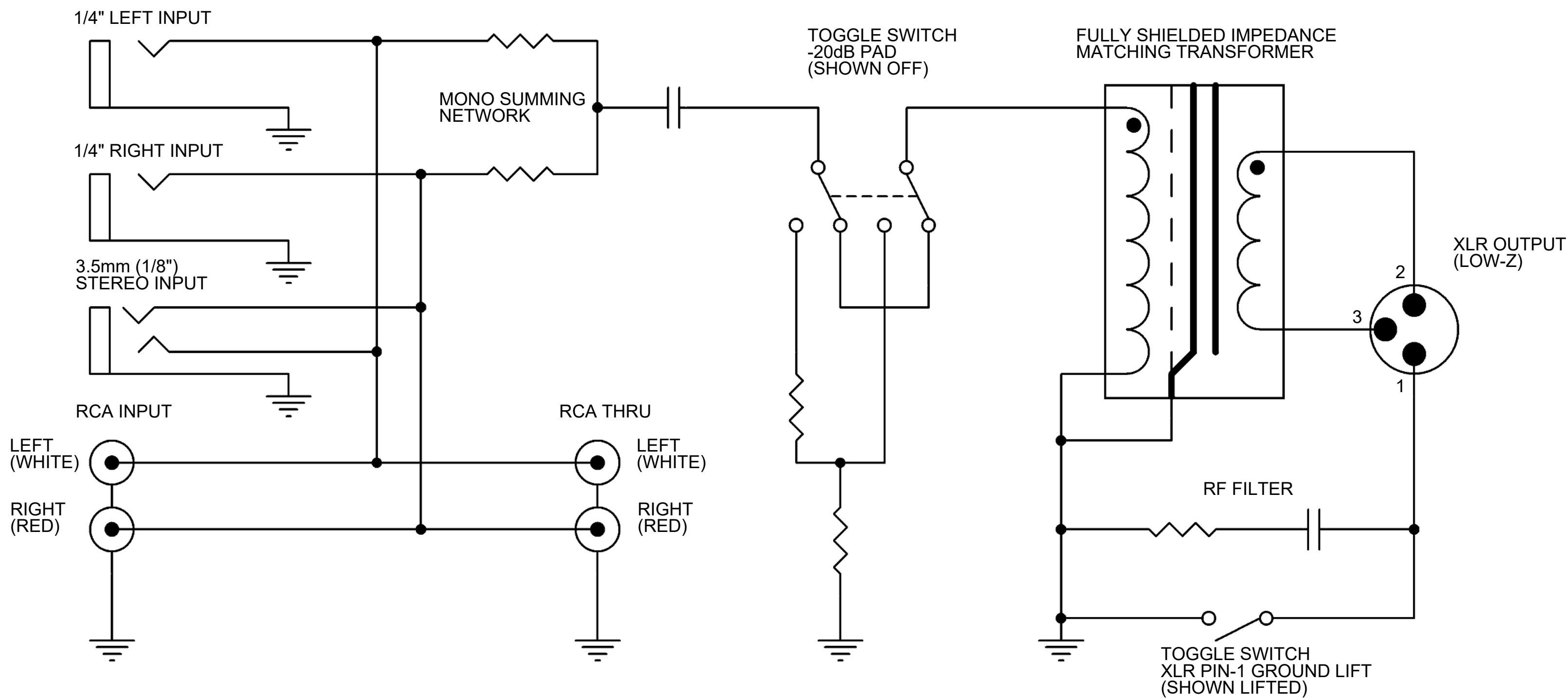
Switchcraft®

Parameter	Performance	Conditions
Frequency Response	20Hz - 20kHz	+/-0.3dB, ref 1kHz
Total Harmonic Distortion + Noise	< 0.009% < 0.5%	at 1kHz, +4dBu Input, 22kHz Bandwidth at 20Hz, +4dBu Input, 22kHz Bandwidth
Maximum Input Level	+18dBu	at 20Hz with 1% THD+Noise
Input Impedance	> 120kΩ	at 1kHz
Output Impedance	< 50Ω	at 1kHz
Common Mode Rejection Ratio (CMRR)	> 85dB	at 60Hz
Deviation from Linear Phase	< 7° < 1° < 13°	at 20Hz at 1kHz at 20kHz
Voltage Gain	-23dB -43dB	+/-1dB +/-1dB with 20dB pad engaged
Pad Attenuation	20dB	+/-1dB

Notes: All measurements were taken with a 25Ω unbalanced source and measured from the XLR with a 1kΩ balanced load.
Specifications subject to change without notice.

CUSTOMER DRAWING

SCALE 1:1	Switchcraft®	
DATE DRAWN 3/2/10		
DRAWN BY BHM	PART No. SC700CT	REV C



CUSTOMER DRAWING

SCALE 1:1	Switchcraft®	
DATE DRAWN 3/2/10		
DRAWN BY BHM	PART No. SC700CT	REV C