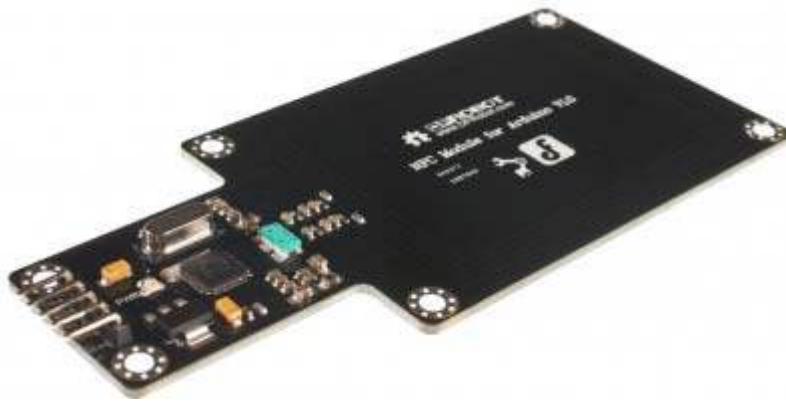




NFC Module for Arduino (SKU:DFR0231)



[NFC Module for Arduino](#)

Introduction

Your credit cards: gone. Bus pass and train tickets: vanished. Welcome to Near Field Communications (NFC), a contactless, Wi-Fi-lite style tech that could already be in your smartphone, and could soon be a regular feature of your commute.

Near Field Communications(NFC) is a set of short-range wireless technologies, typically requiring a distance of 10cm or less, for two devices such as smartphones or the similar things very close to each other to establish communication. Communication is also possible between a NFC device and unpowered NFC chips such as tags, stickers, key fobs and cards which do not require batteries.

The NFC Module for Arduino is designed to extend this powerful feature for your project or application based on Arduino. It integrates a PN532 NFC controller from Philips. The driver interface for this product is UART interface of the microcontroller. So it's possible for you to test it via a USB to UART converter directly. On the other hand, for the applications with microcontroller, the module provides an event for your processor when detects the NFC tags, stickers, key fobs, or cards via high speed serial uart.

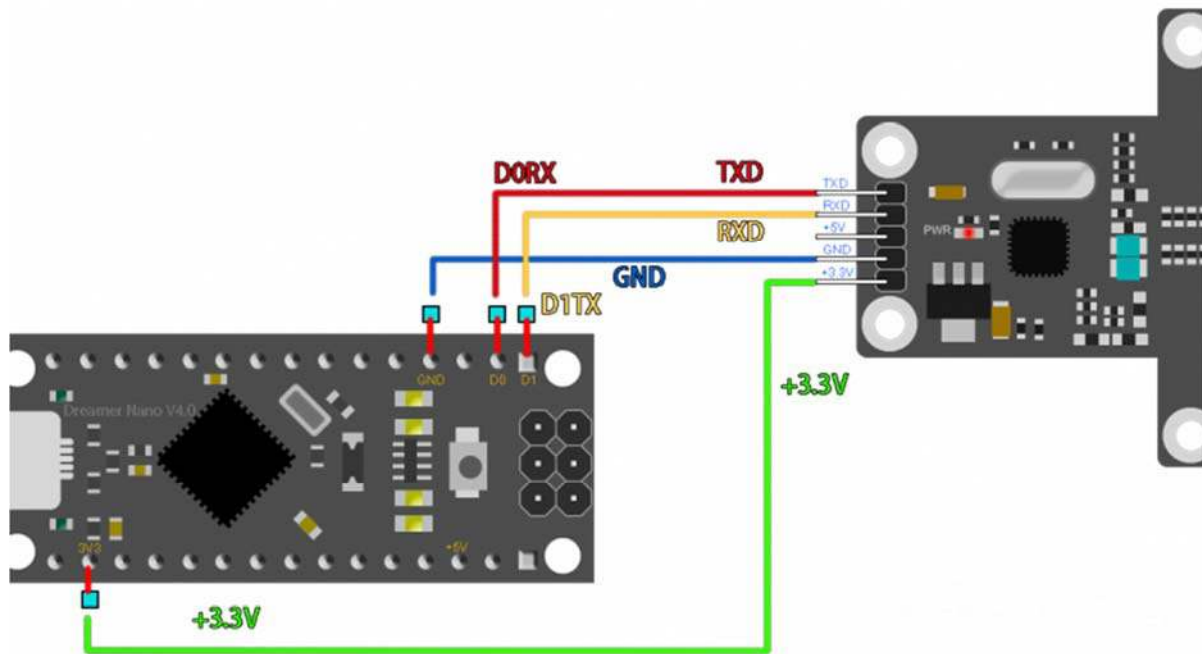
Applications

- Contactless payment systems
- Bluetooth and Wi-Fi connections
- Social networking situations, such as sharing contacts, photos, videos or files
- Electronic identity documents and keycards
- Smartphone automation and NFC tags

Specification

- Working Voltage: 3.3v or 5v
- Host interface: UART
- Integrate PN532 NFC controller
- Supports ISO 14443A/MIFARE
- Supports ISO 14443B in reader/writer mode only
- Typical max operating distance for detecting NFC tags from 20 to 50mm depending on the antenna *size of the tag
- Serve for contactless communication at 13.56MHz
- Size: 11cm x 5cm

Connect Diagram



It can also work in the voltage of 5V, if so, connect the interface of 5V

NFC Module connect diagram

Sample Code

```
/*

# Editor : Adrian
# Date   : 2013.04.18
# Ver    : 0.1
# Product: NFC Module for Arduino
# SKU    : DFR0231

# Description:
# When the a card close to the device , the PC will receive the data
# Connect the NFC Card's TXD, RXD, GND, +3.3V to Nano's D0RX, D1TX, GND, +3.3V
# Or connect the NFC Card's TXD, RXD, GND, +5V to Nano's D0RX, D1TX, GND, +5V

PN532 reads the tag by Arduino mega/Leonardo
command list:

#wake up reader
send: 55 55 00 00 00 00 00 00 00 00 00 00 00 00 00 00 ff 03 fd d4 14 01 17 00
return: 00 00 FF 00 FF 00 00 00 FF 02 FE D5 15 16 00

#get firmware
send: 00 00 FF 02 FE D4 02 2A 00
return: 00 00 FF 00 FF 00 00 00 FF 06 FA D5 03 32 01 06 07 E8 00

#read the tag
send: 00 00 FF 04 FC D4 4A 01 00 E1 00
return: 00 00 FF 00 FF 00 00 00 FF 0C F4 D5 4B 01 01 00 04 08 04 XX XX XX XX
5A 00

XX is tag.
```

```

*/

const unsigned char wake[24]={
    0x55, 0x55, 0x00, 0x00, 0x00, 0x00, 0x00, 0x00, 0x00, 0x00, \
    0x00, 0x00, 0x00, 0x00, 0x00, 0x00, 0xff, 0x03, 0xfd, 0xd4, 0x14, 0x01, 0x17,
    0x00}; //wake up NFC module

const unsigned char firmware[9]={
    0x00, 0x00, 0xFF, 0x02, 0xFE, 0xD4, 0x02, 0x2A, 0x00}; //

const unsigned char tag[11]={
    0x00, 0x00, 0xFF, 0x04, 0xFC, 0xD4, 0x4A, 0x01, 0x00, 0xE1, 0x00}; //detecti
ng tag command

const unsigned char std_ACK[25] = {
    0x00, 0x00, 0xFF, 0x00, 0xFF, 0x00, 0x00, 0x00, 0xFF, 0x0C, \
    0xF4, 0xD5, 0x4B, 0x01, 0x01, 0x00, 0x04, 0x08, 0x04, 0x00, 0x00, 0x00, 0x00,
    0x4b, 0x00};

unsigned char old_id[5];

unsigned char receive_ACK[25]; //Command receiving buffer
//int inByte = 0; //incoming serial byte buffer

#if defined(ARDUINO) && ARDUINO >= 100
#include "Arduino.h"
#define print1Byte(args) Serial1.write(args)
#define print1lnByte(args) Serial1.write(args),Serial1.println()
#else
#include "WProgram.h"
#define print1Byte(args) Serial1.print(args,BYTE)
#define print1lnByte(args) Serial1.println(args,BYTE)
#endif

void setup(){
    Serial.begin(9600); // open serial with PC
    Serial1.begin(115200); //open serial1 with device
    //Serial2.begin(115200);
    wake_card();
    delay(100);

```

```

    read_ACK(15);
    delay(100);
    display(15);
}

void loop(){
    send_tag();
    read_ACK(25);
    delay(100);
    if (!cmp_id ()) {
        if (test_ACK ()) {
            display (25);
            delay (100);
        }
    }
    copy_id ();
}

void copy_id (void) { //save old id
    int ai, oi;
    for (oi=0, ai=19; oi<5; oi++,ai++) {
        old_id[oi] = receive_ACK[ai];
    }
}

char cmp_id (void){ //return true if find id is old
    int ai, oi;
    for (oi=0,ai=19; oi<5; oi++,ai++) {
        if (old_id[oi] != receive_ACK[ai])
            return 0;
    }
    return 1;
}

```

```

int test_ACK (void) { // return true if receive_ACK accord with std_ACK
    int i;
    for (i=0; i<19; i++) {
        if (receive_ACK[i] != std_ACK[i])
            return 0;
    }
    return 1;
}

void send_id (void) { //send id to PC
    int i;
    Serial.print ("ID: ");
    for (i=19; i<= 23; i++) {
        Serial.print (receive_ACK[i], HEX);
        Serial.print (" ");
    }
    Serial.println ();
}

void UART1_Send_Byte(unsigned char command_data) { //send byte to device
    print1Byte(command_data);
#ifdef ARDUINO && ARDUINO >= 100
    Serial1.flush(); // complete the transmission of outgoing serial data
#endif
}

void UART_Send_Byte(unsigned char command_data) { //send byte to PC
    Serial.print (command_data, HEX);
    Serial.print (" ");
}

void read_ACK(unsigned char temp) { //read ACK into receive_ACK[]
    unsigned char i;
    for (i=0; i<temp; i++) {

```

```

    receive_ACK[i]= Serial1.read();
  }
}

void wake_card(void){//send wake[] to device
  unsigned char i;
  for(i=0;i<24;i++) //send command
    UART1_Send_Byte(wake[i]);
}

void firmware_version(void){//send fireware[] to device
  unsigned char i;
  for(i=0;i<9;i++) //send command
    UART1_Send_Byte(firmware[i]);
}

void send_tag(void){//send tag[] to device
  unsigned char i;
  for(i=0;i<11;i++) //send command
    UART1_Send_Byte(tag[i]);
}

void display(unsigned char tem){//send receive_ACK[] to PC
  unsigned char i;
  for(i=0;i<tem;i++) //send command
    UART_Send_Byte(receive_ACK[i]);
  Serial.println();
}

```