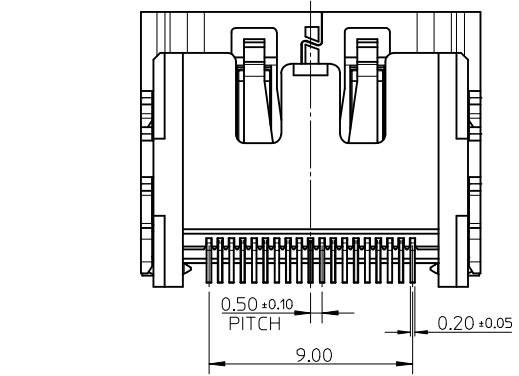
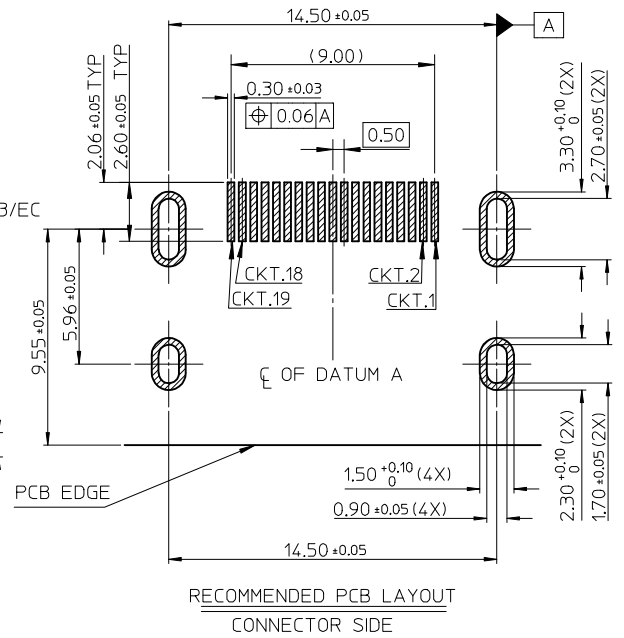
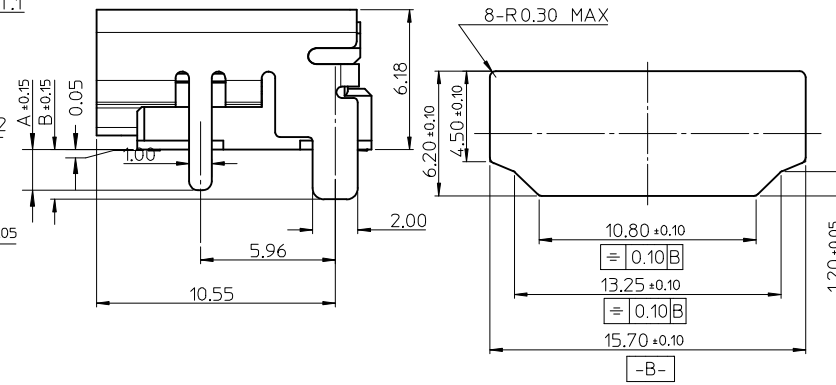
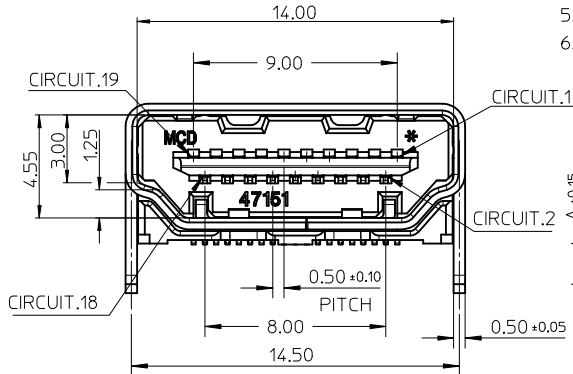
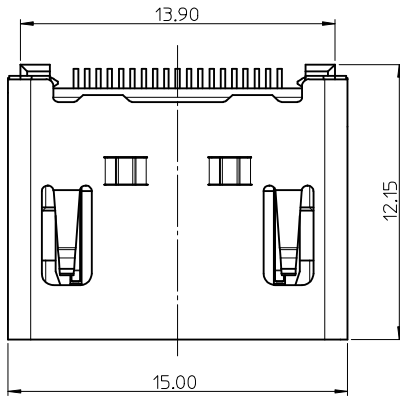
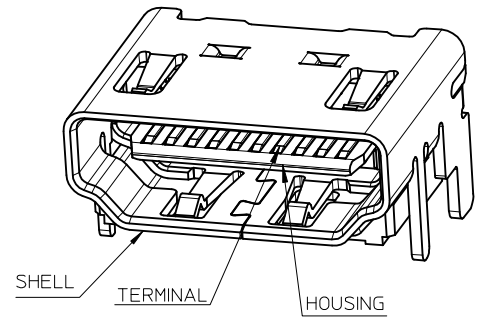


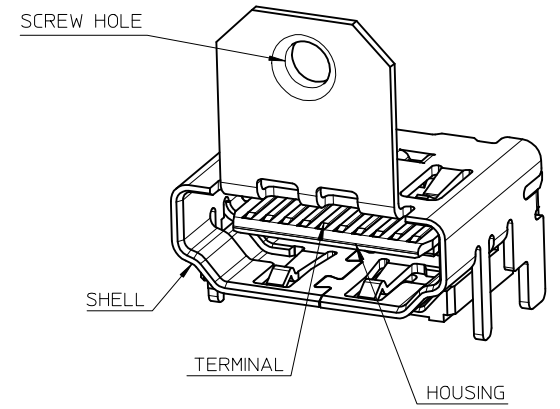
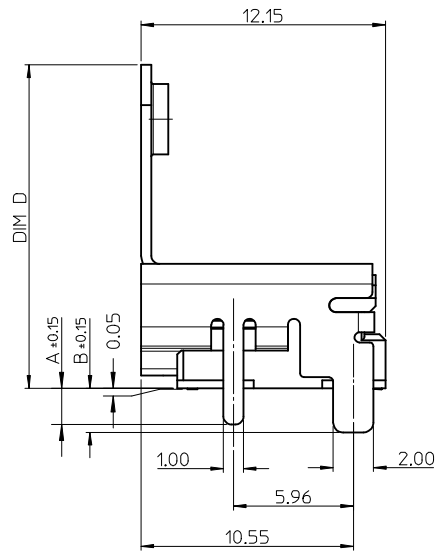
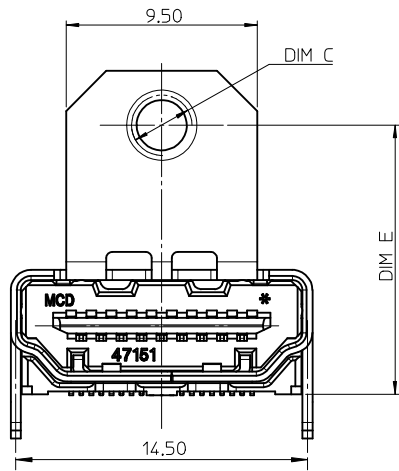
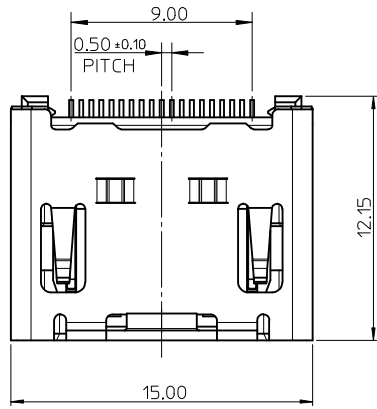
NOTES:

1. MATERIAL:
HOUSING: THERMOPLASTIC . COLOR: SEE TABLE.
SHELL: COPPER ALLOY,
TERMINAL: COPPER ALLOY.
2. PLATING:
TERMINAL:
CONTACT AREA: (1) 0.76 MICROMETER MIN. GOLD PLATING.
(2) 0.25 MICROMETER MIN. GOLD PLATING.
(3) GOLD FLASH.
(4) 0.375 MICROMETER MIN. GOLD PLATING.
(5) GOLD FLASH OVER PD/NI
SOLDER AREA: 1 MICROMETER MIN. TIN-BISMUTH ALLOY PLATED.
UNDER PLATE: 1.27 MICROMETER MIN. NICKEL.
SHELL: (a) 1.27 MICROMETER MIN. SOLDERABLE NICKEL PLATE OVERALL.
(b) GOLD FLASH PLATING OVER 1.27 MICROMETER MIN. NICKEL PLATING OVERALL.
3. COPLANARITY IS 0.1MM MAX.
4. PRODUCT SPECIFICATION REFER TO PS-47152-001 ; TBA FOR PD/NI OPTION
5. PACKAGE SPECIFICATION FOR WITHOUT FLANGE REFER TO PK-47151-001.
6. PRODUCT COMPLIANT TO RoHS DEIRECTIVE 2002/95/EC AND ELV DIRECTIVE 2000/53/EC



RECOMMENDED PANEL CUT OUT DIMENSION

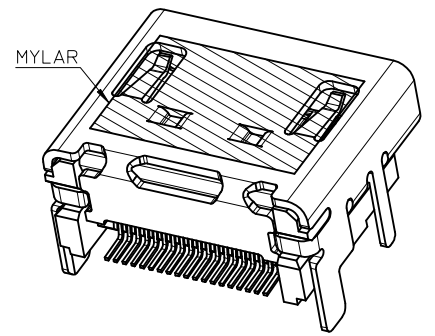
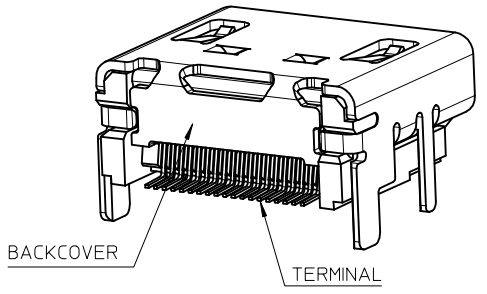
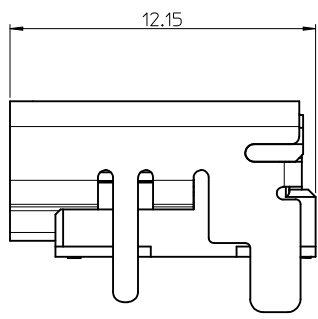
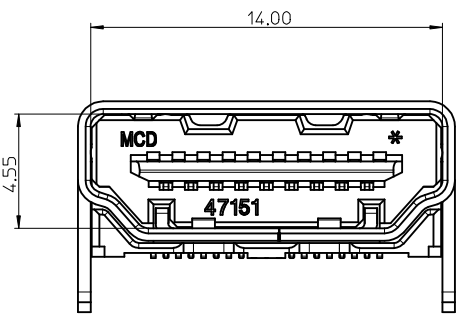
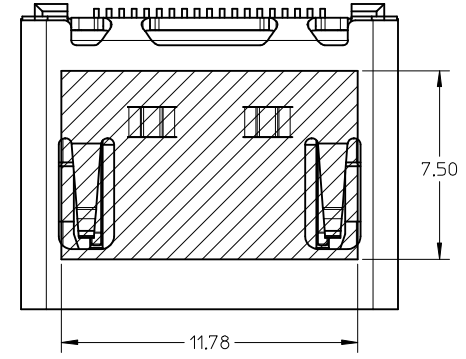
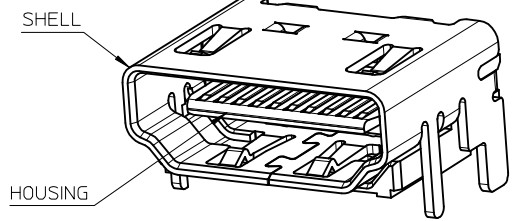
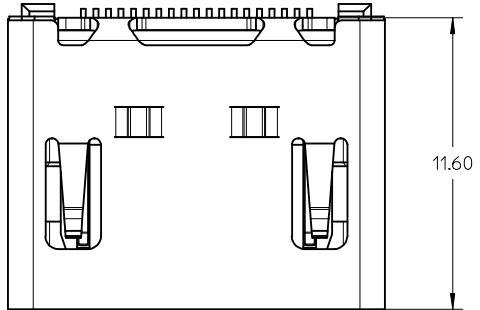
MARK UPDATED EC NO: S2016-0465 DRW: NHTG002 CHKD: JZENG APPR: KHL IM 2015/11/10 2015/12/09 2015/12/15	QUALITY SYMBOLS F=0 F=0 F=0	GENERAL TOLERANCES (UNLESS SPECIFIED)		DIMENSION STYLE IN/MM		SCALE 5:1	DESIGN UNITS METRIC	THIRD ANGLE PROJECTION		
		4 PLACES	± ---	± ---	DRAWN BY	DATE	TITLE			
		3 PLACES	± ---	± ---	RZHANG	2004/07/20	1.0 HDMI RIGHT ANGLE HEADER ASSEMBLY (19 PIN) LEAD FREE			
		2 PLACES	± 0.25	± ---	CHECKED BY	DATE	molex			
		1 PLACE	± 0.25	± ---	GRMA	2004/07/20				
0 PLACE	± ---	± ---	APPROVED BY	DATE	MATERIAL NO. SEE SHEET 6		DOCUMENT NO. SD-47151-001		SHEET NO. 1 OF 9	
DRAFT WHERE APPLICABLE MUST REMAIN WITHIN DIMENSIONS		ANGULAR ± 3 °		SIZE A3		THIS DRAWING CONTAINS INFORMATION THAT IS PROPRIETARY TO MOLEX INCORPORATED AND SHOULD NOT BE USED WITHOUT WRITTEN PERMISSION				



- NOTES:
1. THE UNSPECIFIED DIMENSIONS AND FEATURE REFER TO SHEET 1.
 2. PACKAGE SPECIFICATION FOR WITH FLANGE REFER TO PK-47151-002.

SEE SHEET 1 EC NO: S2016-0465 DRWN:HTGU002 CHKD:JZENG APPR:KHL JM	2015/11/10 2015/12/09 2015/12/15	DESCRIPTION REV	QUALITY SYMBOLS	GENERAL TOLERANCES (UNLESS SPECIFIED)	DIMENSION STYLE	SCALE	DESIGN UNITS	THIRD ANGLE PROJECTION		
			$\nabla_A = 0$ $\nabla_C = 0$ $\nabla_F = 0$	mm INCH 4 PLACES ± --- ± --- 3 PLACES ± --- ± --- 2 PLACES ± 0.25 ± --- 1 PLACE ± 0.25 ± --- 0 PLACE ± --- ± ---	IN/MM	5:1	METRIC	DRAWN BY: RZHANG CHECKED BY: GRMA APPROVED BY: YTYAP DATE: 2004/07/20	TITLE	1.0 HDMI RIGHT ANGLE HEADER ASSEMBLY (19 PIN) LEAD FREE
			ANGULAR ± 3 ° DRAFT WHERE APPLICABLE MUST REMAIN WITHIN DIMENSIONS	MATERIAL NO. SEE SHEET 6 SIZE: A3	DOCUMENT NO. SD-47151-001	SHEET NO. 2 OF 9				
			THIS DRAWING CONTAINS INFORMATION THAT IS PROPRIETARY TO MOLEX INCORPORATED AND SHOULD NOT BE USED WITHOUT WRITTEN PERMISSION							

WITH BACK COVER

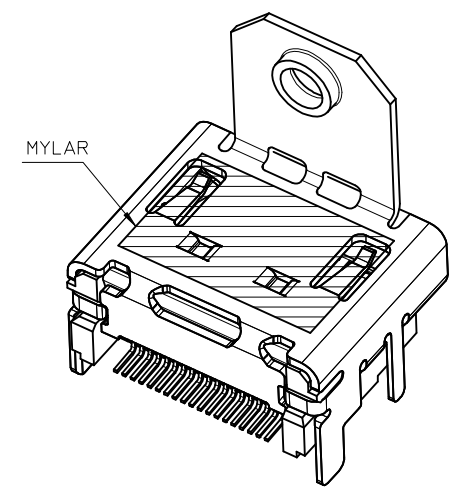
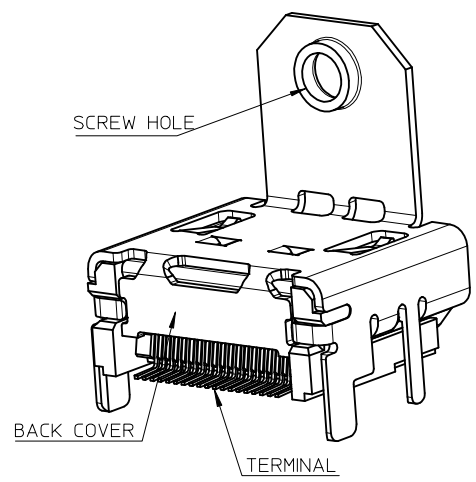
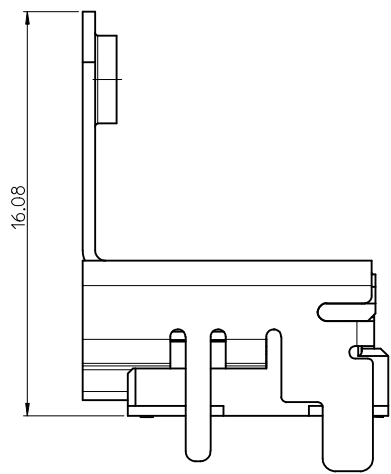
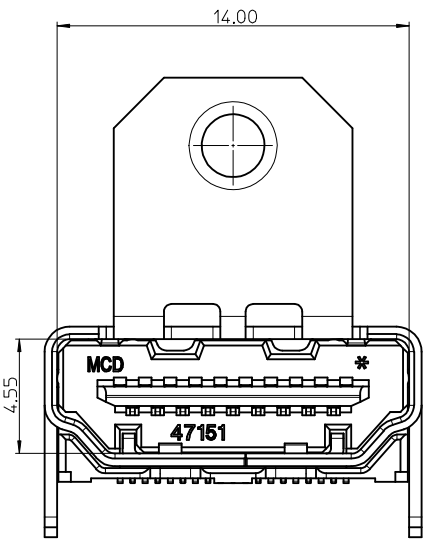
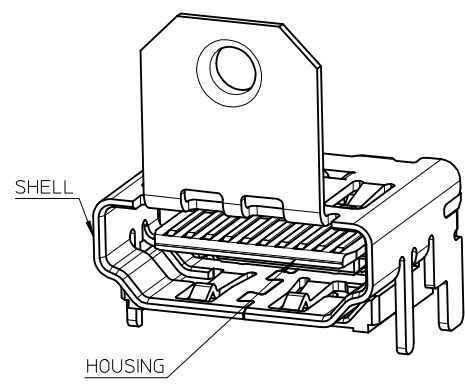
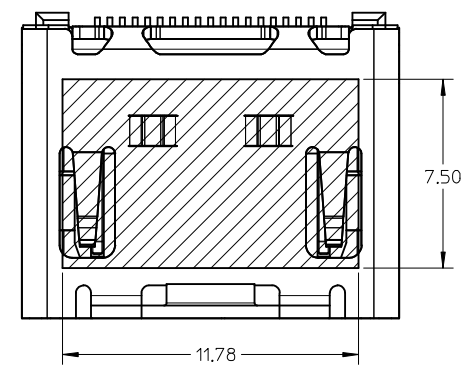
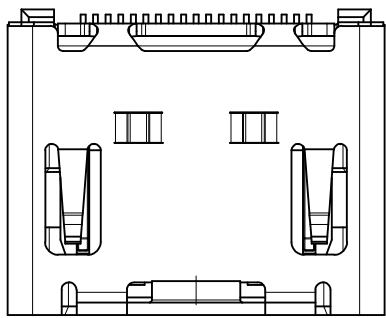


- NOTES:
1. THE UNSPECIFIED DIMENSIONS AND FEATURE REFER TO 47151-0001.
 2. PACKAGE SPECIFICATION FOR WITHOUT FLANGE REFER TO PK-47151-001.

THIS IS ONLY FOR 47151-1061/1071/1081

SEE SHEET 1 EC NO: S2016-0465 DRW: HTGU002 CHKD: ZENG APPR: KHL JM	2015/11/10 2015/12/09 2015/12/15	DESCRIPTION REV	QUALITY SYMBOLS	GENERAL TOLERANCES (UNLESS SPECIFIED)	DIMENSION STYLE	SCALE	DESIGN UNITS	THIRD ANGLE PROJECTION
			$F_{\Delta} = 0$ $F_{\sigma} = 0$ $F_{\beta} = 0$	mm INCH 4 PLACES ± --- ± --- 3 PLACES ± --- ± --- 2 PLACES ± 0.25 ± --- 1 PLACE ± 0.25 ± --- 0 PLACE ± --- ± ---	IN/MM	5:1	METRIC	
				ANGULAR ± 3 °	DRAWN BY	DATE	TITLE	
				DRAFT WHERE APPLICABLE MUST REMAIN WITHIN DIMENSIONS	CHECKED BY	DATE		1.0 HDMI RIGHT ANGLE HEADER ASSEMBLY (19 PIN) LEAD FREE
					APPROVED BY	DATE		molex
L5				MATERIAL NO.	DOCUMENT NO.	SHEET NO.		
				SEE SHEET 7	SD-47151-001	3 OF 9		
				SIZE A3	THIS DRAWING CONTAINS INFORMATION THAT IS PROPRIETARY TO MOLEX INCORPORATED AND SHOULD NOT BE USED WITHOUT WRITTEN PERMISSION			

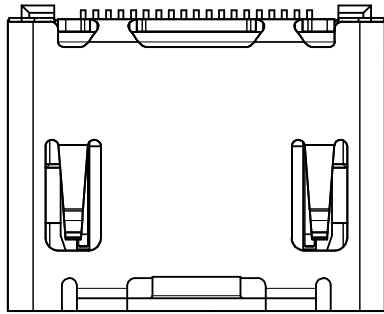
WITH BACK COVER



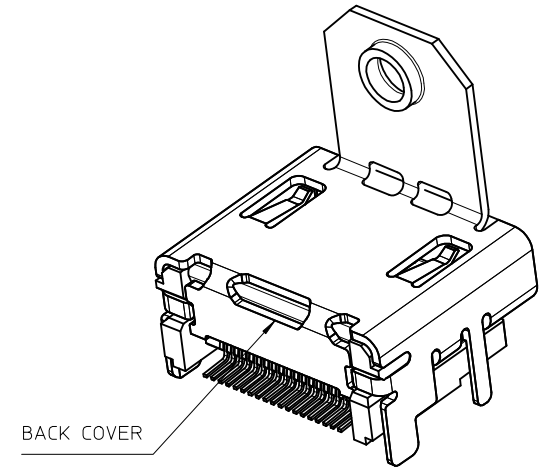
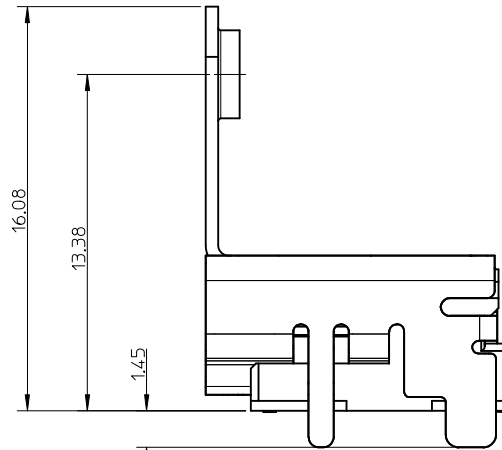
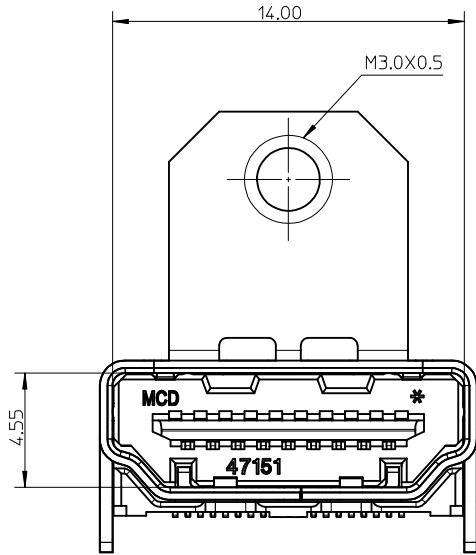
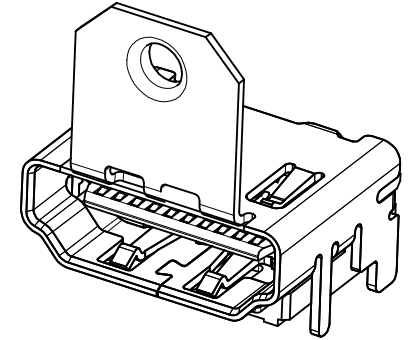
THIS IS ONLY FOR
47151-1025/1075/1085/6022/6032/1026/2062

NOTES:
1. THE UNSPECIFIED DIMENSIONS AND FEATURE REFER TO 47151-0002.
2. PACKAGE SPECIFICATION FOR WITH FLANGE:
OPTION 1: 47151-1026/2062/6032 REFER TO PK-47151-005.
OPTION 2: 47151-1102 REFER TO PK-47151-003.
OPTION 3: OTHER PART NUMBER REFER TO PK-47151-002.

SEE SHEET 1 EC NO: S2016-0465 DRW:NHTG0002 2015/11/10 CHKD:JZENG 2015/12/09 APPR:KHLIM 2015/12/15	QUALITY SYMBOLS $\nabla = 0$ $\nabla = 0$ $\nabla = 0$	GENERAL TOLERANCES (UNLESS SPECIFIED) mm INCH 4 PLACES ± --- ± --- 3 PLACES ± --- ± --- 2 PLACES ± 0.25 ± --- 1 PLACE ± 0.25 ± --- 0 PLACE ± --- ± --- ANGULAR ± 3° DRAFT WHERE APPLICABLE MUST REMAIN WITHIN DIMENSIONS	DIMENSION STYLE IN/MM DRAWN BY: RZHANG CHECKED BY: GRMA APPROVED BY: YTYAP DATE: 2004/07/20 DATE: 2004/07/20 DATE: 2004/07/20	SCALE 5:1	DESIGN UNITS METRIC	THIRD ANGLE PROJECTION	TITLE 1.0 HDMI RIGHT ANGLE HEADER ASSEMBLY (19 PIN) LEAD FREE
	MATERIAL NO.	DOCUMENT NO.	SHEET NO.				
	SEE SHEET 8	SD-47151-001	4 OF 9				
	THIS DRAWING CONTAINS INFORMATION THAT IS PROPRIETARY TO MOLEX INCORPORATED AND SHOULD NOT BE USED WITHOUT WRITTEN PERMISSION						



WITHOUT TOP HOLE



NOTES:

1. THE UNSPECIFIED DIMENSIONS AND FEATURE REFER TO 47151-1102.
2. PACKAGE SPECIFICATION FOR WITH FLANGE REFER TO PK-47151-002.

SEE SHEET 1 EC NO: S2016-0465 DRW:HTG002 CHKD:JZENG APPR:KHLIM	2015/11/10 2015/12/09 2015/12/15	DESCRIPTION REV	QUALITY SYMBOLS	GENERAL TOLERANCES (UNLESS SPECIFIED)		DIMENSION STYLE IN/MM		SCALE 5:1	DESIGN UNITS METRIC	THIRD ANGLE PROJECTION																														
			$\nabla_A = 0$ $\nabla_C = 0$ $\nabla_B = 0$	<table border="1"> <thead> <tr> <th></th> <th>mm</th> <th>INCH</th> </tr> </thead> <tbody> <tr> <td>4 PLACES</td> <td>± ---</td> <td>± ---</td> </tr> <tr> <td>3 PLACES</td> <td>± ---</td> <td>± ---</td> </tr> <tr> <td>2 PLACES</td> <td>± 0.25</td> <td>± ---</td> </tr> <tr> <td>1 PLACE</td> <td>± 0.25</td> <td>± ---</td> </tr> <tr> <td>0 PLACE</td> <td>± ---</td> <td>± ---</td> </tr> </tbody> </table>		mm	INCH	4 PLACES	± ---	± ---	3 PLACES	± ---	± ---	2 PLACES	± 0.25	± ---	1 PLACE	± 0.25	± ---	0 PLACE	± ---	± ---	<table border="1"> <thead> <tr> <th>DRAWN BY</th> <th>DATE</th> </tr> </thead> <tbody> <tr> <td>RZHANG</td> <td>2004/07/20</td> </tr> <tr> <th>CHECKED BY</th> <th>DATE</th> </tr> <tr> <td>GRMA</td> <td>2004/07/20</td> </tr> <tr> <th>APPROVED BY</th> <th>DATE</th> </tr> <tr> <td>YTYAP</td> <td>2004/07/20</td> </tr> </tbody> </table>	DRAWN BY	DATE	RZHANG	2004/07/20	CHECKED BY	DATE	GRMA	2004/07/20	APPROVED BY	DATE	YTYAP	2004/07/20	TITLE		DOCUMENT NO.		SHEET NO.
				mm	INCH																																			
			4 PLACES	± ---	± ---																																			
3 PLACES	± ---	± ---																																						
2 PLACES	± 0.25	± ---																																						
1 PLACE	± 0.25	± ---																																						
0 PLACE	± ---	± ---																																						
DRAWN BY	DATE																																							
RZHANG	2004/07/20																																							
CHECKED BY	DATE																																							
GRMA	2004/07/20																																							
APPROVED BY	DATE																																							
YTYAP	2004/07/20																																							
DRAFT WHERE APPLICABLE MUST REMAIN WITHIN DIMENSIONS		MATERIAL NO. SEE SHEET 7	1.0 HDMI RIGHT ANGLE HEADER ASSEMBLY (19 PIN) LEAD FREE		SD-47151-001		5 OF 9																																	

ASSEMBLY P/N	DIMENSION					FEATURE				HOUSING COLOUR	GOLD PLATING IN CONTACT AREA	SHELL PLATING	REMARK	
	DIM A	DIM B	DIM C	DIM D	DIM E	FLANGE	BACK COVER	TOP HOLES	MYLAR					
47151-0001	1.80	2.20	/	/	/	W/O	W/O	WITH	W/O	BLACK	SEE NOTE 2 (1)	SEE NOTE 2 (a)	FOR SHEET 1	
47151-0041														
47151-0051														
47151-0011														
47151-0071														
47151-0061														
47151-0021														
47151-0031														
47151-0101														
47151-0141														
47151-0151														
47151-0111														
47151-0181														
47151-0161														
47151-0121														
47151-0131														
47151-0002	1.80	2.20	M3.0x0.5	16.08	13.38	WITH	W/O	WITH	W/O	BLACK	SEE NOTE 2 (1)	SEE NOTE 2 (a)	FOR SHEET 2	
47151-0042														
47151-0062														
47151-0012														
47151-0052														
47151-0072														
47151-0022														
47151-0032														
47151-0102														
47151-0142														
47151-0162														
47151-0112														
47151-0152														
47151-0172														
47151-0122														
47151-0132														
47151-6002	1.80	2.20	M3.0x0.5	14.25	11.28	WITH	W/O	WITH	W/O	BLACK	SEE NOTE 2 (1)	SEE NOTE 2 (a)	FOR SHEET 2	
47151-6062														
47151-6082														
47151-6102	1.45	1.45	M3.0x0.5	14.25	11.28	WITH	W/O	WITH	W/O	BLACK	SEE NOTE 2 (1)	SEE NOTE 2 (a)		FOR SHEET 2
47151-6172														
47151-6162														

SEE SHEET 1 EC NO: S2016-0465 DRW:HTGU002 CHKD:JZENG APPR:KLLIM 2015/11/10 2015/12/09 2015/12/15	QUALITY SYMBOLS $F_A=0$ $F_G=0$ $F_P=0$	GENERAL TOLERANCES (UNLESS SPECIFIED)		DIMENSION STYLE IN/MM		SCALE 1:1	DESIGN UNITS METRIC	THIRD ANGLE PROJECTION	
				mm INCH	DRAWN BY RZHANG	DATE 2004/07/20	TITLE 1.0 HDMI RIGHT ANGLE HEADER ASSEMBLY (19 PIN) LEAD FREE		
				4 PLACES ± --- ± --- 3 PLACES ± --- ± --- 2 PLACES ± 0.25 ± --- 1 PLACE ± 0.25 ± --- 0 PLACE ± --- ± ---	CHECKED BY GRMA	DATE 2004/07/20			
				ANGULAR ± 3 ° DRAFT WHERE APPLICABLE MUST REMAIN WITHIN DIMENSIONS	APPROVED BY YTYAP	DATE 2004/07/20	MATERIAL NO. SEE TABLE	DOCUMENT NO. SD-47151-001	SHEET NO. 6 OF 9

ASSEMBLY P/N	DIMENSION					FEATURE				HOUSING COLOUR	GOLD PLATING IN CONTACT AREA	SHELL PLATING	REMARK
	DIM A	DIM B	DIM C	DIM D	DIM E	FLANGE	BACK COVER	TOP HOLES	MYLAR				
47151-0401 47151-0411	1.80	2.20	/	/	/	W/O	W/O	WITH	W/O	BLACK NATURE	SEE NOTE 2 (5)	SEE NOTE 2 (a)	FOR SHEET 1
47151-0402	1.80	2.20	M3.0x0.5	16.08	13.38	WITH	W/O	WITH	W/O	BLACK	SEE NOTE 2 (5)	SEE NOTE 2 (a)	FOR SHEET 2

SEE SHEET 1 IEC NO: S2016-0465 DRW: HHTGU002 CH: KD: JZENG APPR: KHL JM	2015/11/10 2015/12/09 2015/12/15	DESCRIPTION REV	QUALITY SYMBOLS	GENERAL TOLERANCES (UNLESS SPECIFIED)	DIMENSION STYLE	SCALE	DESIGN UNITS	THIRD ANGLE PROJECTION			
			$\nabla = 0$ $\nabla = 0$ $\nabla = 0$	mm INCH 4 PLACES ± --- ± --- 3 PLACES ± --- ± --- 2 PLACES ± 0.25 ± --- 1 PLACE ± 0.25 ± --- 0 PLACE ± --- ± ---	IN/MM	1:1	METRIC	DRAWN BY: RZHANG DATE: 2004/07/20 CHECKED BY: GRMA DATE: 2004/07/20 APPROVED BY: YTYAP DATE: 2004/07/20	TITLE: 1.0 HDMI RIGHT ANGLE HEADER ASSEMBLY (19 PIN) LEAD FREE		
			ANGULAR ± 3 ° DRAFT WHERE APPLICABLE MUST REMAIN WITHIN DIMENSIONS	SEE TABLE	MATERIAL NO. DOCUMENT NO.	molex SD-47151-001			SHEET NO. 7 OF 9		
			THIS DRAWING CONTAINS INFORMATION THAT IS PROPRIETARY TO MOLEX INCORPORATED AND SHOULD NOT BE USED WITHOUT WRITTEN PERMISSION								

ASSEMBLY P/N	DIMENSION					FEATURE				HOUSING COLOUR	GOLD PLATING IN CONTACT AREA	SHELL PLATING	REMARK
	DIM A	DIM B	DIM C	DIM D	DIM E	FLANGE	BACK COVER	TOP HOLES	MYLAR				
47151-1001	1.80	2.20	/	/	/	W/O	WITH	WITH	W/O	BLACK	SEE NOTE 2 (1)	SEE NOTE 2 (a)	FOR SHEET 3
47151-1041											SEE NOTE 2 (2)		
47151-1051											SEE NOTE 2 (3)		
47151-1003											SEE NOTE 2 (4)		
47151-1061											SEE NOTE 2 (1)		
47151-1071											SEE NOTE 2 (2)		
47151-1081											SEE NOTE 2 (3)		
47151-1011									SEE NOTE 2 (1)				
47151-1211									SEE NOTE 2 (2)				
47151-1311									SEE NOTE 2 (3)				
47151-1021									SEE NOTE 2 (1)				
47151-1091									SEE NOTE 2 (3)				
47151-1031									SEE NOTE 2 (1)				
47151-1101									1.45	1.45	/		
47151-1141	SEE NOTE 2 (2)												
47151-1151	SEE NOTE 2 (3)												
47151-1111	SEE NOTE 2 (1)												
47151-1161	SEE NOTE 2 (2)												
47151-1171	SEE NOTE 2 (3)												
47151-1121	SEE NOTE 2 (1)												
47151-1131	SEE NOTE 2 (1)												
47151-7102	1.45	1.45	M3.0x0.5	16.08	13.38	WITH	WITH	W/O	W/O	SEE NOTE 2 (1)	SEE NOTE 2 (a)	FOR SHEET 5	
47151-7142										SEE NOTE 2 (2)			
47151-7162	1.80	2.20	/	/	/	W/O	WITH	WITH	W/O	BLACK	SEE NOTE 2 (5)	SEE NOTE 2 (a)	FOR SHEET 3
47151-1401									WITH				
47151-1461									W/O				
47151-1501	1.45	1.45	/	/	/	W/O	WITH	WITH	W/O				

SEE SHEET 1 EC NO: S2016-0465 DRW:HTGU002 CHKD:ZENG APPR:KHLIM	2015/11/10 2015/12/09 2015/12/15	QUALITY SYMBOLS $F_A=0$ $F_C=0$ $F_P=0$	GENERAL TOLERANCES (UNLESS SPECIFIED)		DIMENSION STYLE IN/MM		SCALE 1:1	DESIGN UNITS METRIC	THIRD ANGLE PROJECTION		
					mm	INCH	DRAWN BY RZHANG	DATE 2004/07/20	TITLE 1.0 HDMI RIGHT ANGLE HEADER ASSEMBLY (19 PIN) LEAD FREE		
					4 PLACES ± ---	± ---	CHECKED BY GRMA	DATE 2004/07/20			
					3 PLACES ± ---	± ---	APPROVED BY YTYAP	DATE 2004/07/20	DOCUMENT NO. SD-47151-001		
		2 PLACES ± 0.25	± ---	MATERIAL NO. SEE TABLE		SHEET NO. 8 OF 9					
		1 PLACE ± 0.25	± ---	DRAFT WHERE APPLICABLE MUST REMAIN WITHIN DIMENSIONS		THIS DRAWING CONTAINS INFORMATION THAT IS PROPRIETARY TO MOLEX INCORPORATED AND SHOULD NOT BE USED WITHOUT WRITTEN PERMISSION					
		0 PLACE ± ---	± ---	ANGULAR ± 3 °							

ASSEMBLY P/N	DIMENSION					FEATURE				HOUSING COLOUR	GOLD PLATING IN CONTACT AREA	SHELL PLATING	REMARK
	DIM A	DIM B	DIM C	DIM D	DIM E	FLANGE	BACK COVER	TOP HOLES	MYLAR				
47151-1002	1.80	2.20	M3.0x0.5	16.08	13.38	WITH	WITH	WITH	W/O	BLACK	SEE NOTE 2 (a)	FOR SHEET 4	
47151-1042													SEE NOTE 2 (1)
47151-1052													SEE NOTE 2 (2)
47151-1062									SEE NOTE 2 (3)				
47151-2062									SEE NOTE 2 (4)				
47151-1012									WITH	BLACK			SEE NOTE 2 (4)
47151-1072									SEE NOTE 2 (1)				
47151-1082									SEE NOTE 2 (2)				
47151-1022									SEE NOTE 2 (3)				
47151-1032	W/O	NATURE	SEE NOTE 2 (1)										
									BLACK	SEE NOTE 2 (1)	SEE NOTE 2 (b)		
									NATURE	SEE NOTE 2 (1)	SEE NOTE 2 (b)		
47151-1102	1.45	1.45	M3.0x0.5	16.08	13.38	WITH	WITH	WITH	W/O	BLACK	SEE NOTE 2 (a)	FOR SHEET 4	
47151-1142													SEE NOTE 2 (1)
47151-1152													SEE NOTE 2 (2)
47151-1112									SEE NOTE 2 (3)				
47151-1162									SEE NOTE 2 (1)				
47151-1172									SEE NOTE 2 (2)				
47151-1122									SEE NOTE 2 (3)				
47151-1132									BLACK	SEE NOTE 2 (1)			SEE NOTE 2 (b)
									NATURE	SEE NOTE 2 (1)			SEE NOTE 2 (b)
47151-1005	1.80	2.20	4-40	16.08	13.38	WITH	WITH	WITH	W/O	BLACK	SEE NOTE 2 (a)	FOR SHEET 4	
47151-1045													SEE NOTE 2 (1)
47151-1065													SEE NOTE 2 (2)
47151-1015									SEE NOTE 2 (3)				
47151-1035									SEE NOTE 2 (1)				
47151-1055									SEE NOTE 2 (2)				
47151-1025									SEE NOTE 2 (3)				
47151-1075									SEE NOTE 2 (1)				
47151-1085									SEE NOTE 2 (2)				
47151-1026	SEE NOTE 2 (3)												
	WITH	BLACK	SEE NOTE 2 (1)										
			SEE NOTE 2 (2)										
			SEE NOTE 2 (3)										
47151-6012	1.80	2.20	M3.0x0.5	14.25	11.28	WITH	WITH	WITH	W/O	BLACK	SEE NOTE 2 (a)	FOR SHEET 4	
47151-6042													SEE NOTE 2 (1)
47151-6052													SEE NOTE 2 (2)
47151-6022									SEE NOTE 2 (3)				
47151-6032									SEE NOTE 2 (1)				
	WITH	BLACK	SEE NOTE 2 (1)										
			SEE NOTE 2 (2)										
			SEE NOTE 2 (3)										
47151-6112	1.45	1.45	M3.0x0.5	14.25	11.28	WITH	WITH	WITH	W/O	BLACK	SEE NOTE 2 (a)	FOR SHEET 4	
47151-6142													SEE NOTE 2 (1)
47151-6152													SEE NOTE 2 (2)
47151-1402	1.80	2.20	M3.0x0.5	16.08	13.38	WITH	WITH	WITH	W/O	BLACK	SEE NOTE 2 (3)		
47151-1502	1.45	1.45	M3.0x0.5	16.08	13.38	WITH	WITH	WITH	W/O	BLACK	SEE NOTE 2 (5)	SEE NOTE 2 (a)	

SEE SHEET 1 EC NO: S2016-0465 DRW: HJG002 2015/11/10 CHKD: JZENG 2015/12/09 APPR: KHL JM 2015/12/15 REV DESCRIPTION	QUALITY SYMBOLS	GENERAL TOLERANCES (UNLESS SPECIFIED)	DIMENSION STYLE	SCALE	DESIGN UNITS	THIRD ANGLE PROJECTION	
	$\nabla = 0$	mm INCH	IN/MM	1:1	METRIC		
	$\nabla = 0$	4 PLACES ± --- ± ---	DRAWN BY DATE	TITLE			
	$\nabla = 0$	3 PLACES ± --- ± ---	RZHANG 2004/07/20	1.0 HDMI RIGHT ANGLE HEADER ASSEMBLY (19 PIN) LEAD FREE			
		2 PLACES ± 0.25 ± ---	CHECKED BY DATE	molex			
	1 PLACE ± 0.25 ± ---	GRMA 2004/07/20	SD-47151-001				
	0 PLACE ± --- ± ---	APPROVED BY DATE	9 OF 9				
		YTYAP 2004/07/20	THIS DRAWING CONTAINS INFORMATION THAT IS PROPRIETARY TO MOLEX INCORPORATED AND SHOULD NOT BE USED WITHOUT WRITTEN PERMISSION				
		MATERIAL NO. DOCUMENT NO.					
		SEE TABLE					