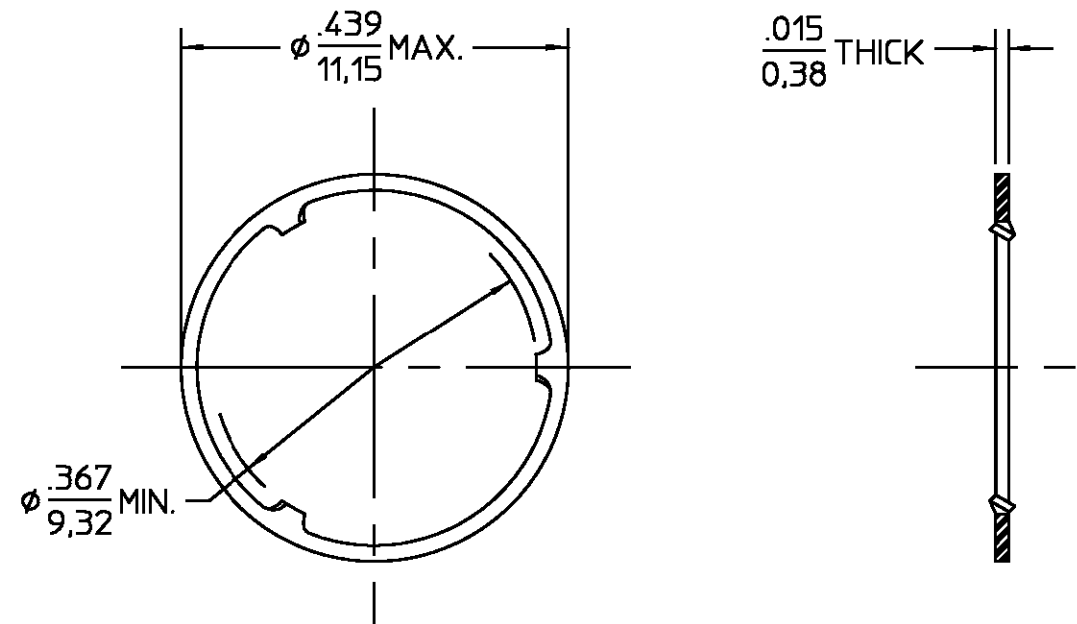


REVISIONS			
REV	DESCRIPTION	DATE	APPROVED
01 ₀	RELEASED	2/19/99	



LOCKWASHER	CARBON STEEL 1050	NICKEL PLATE PER QQ-N-290	
COMPONENT	MATERIAL	FINISH	
UNLESS OTHERWISE SPECIFIED DIMENSIONS ARE IN INCHES FRAC. DEC. ANGLES ± 1/64 ±.005 ± 1°	DRAWN BY DMM	DATE 2/19/99	AMP Incorporated 140 Fourth Avenue Walham, MA 02451-7599
	CHECKED BY	APPD BY 	
These drawings and specifications are the property of AMP Interconnect Division and shall not be reproduced or copied or used in whole or in part as the basis for the manufacture or sale of item(s) without written permission.	USE ASSY PROCEDURE	TITLE LOCKWASHER	
	NO. A.P. N/A	SIZE B	CODE IDENT NO. 26805
		SCALE 5:1	4598-5075-10
		SHEET 1 OF 1	

.XXX = in
XX.X = mm (REF)