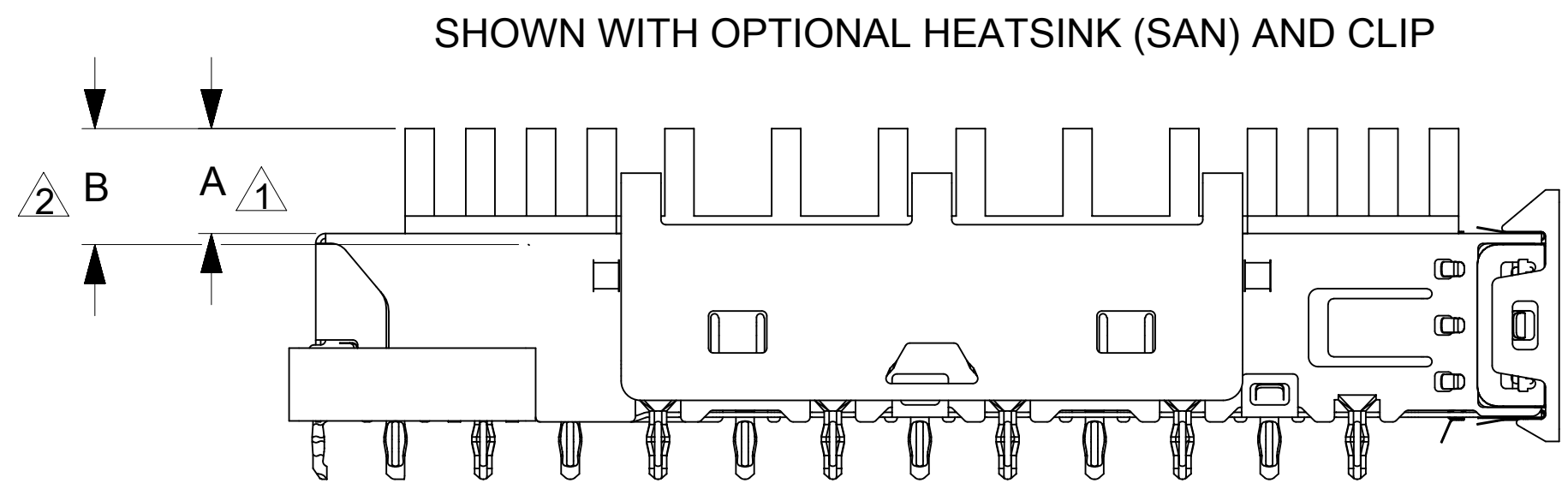
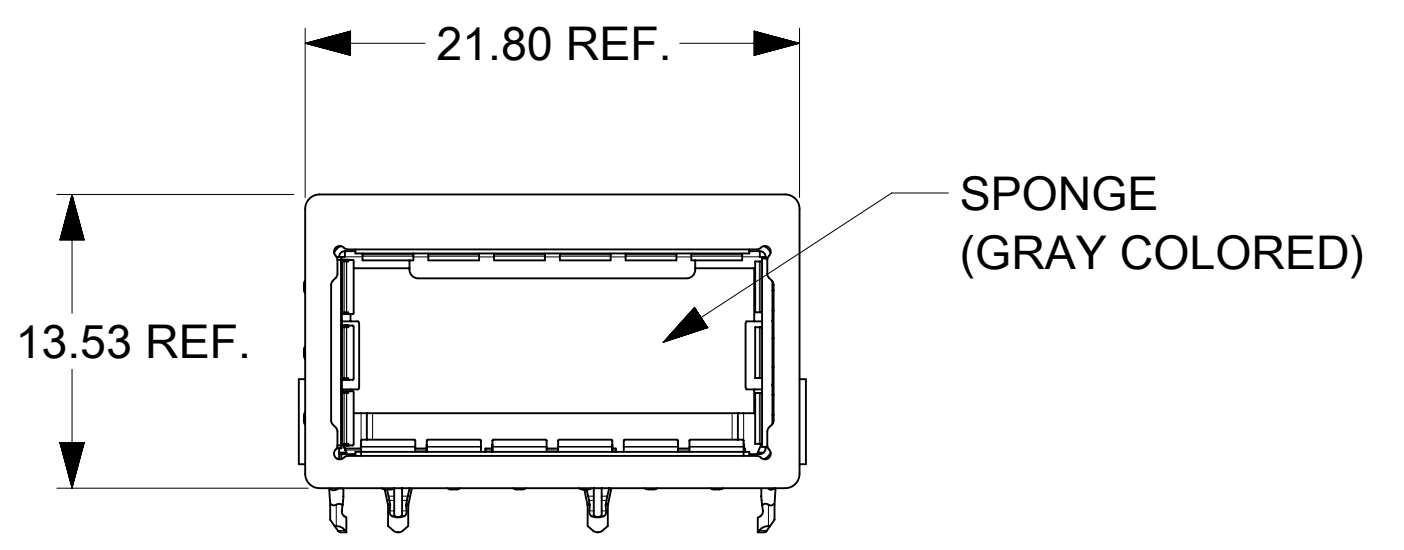


COMPLIANT EMI GASKET
(DARK COLORED - GRAY)

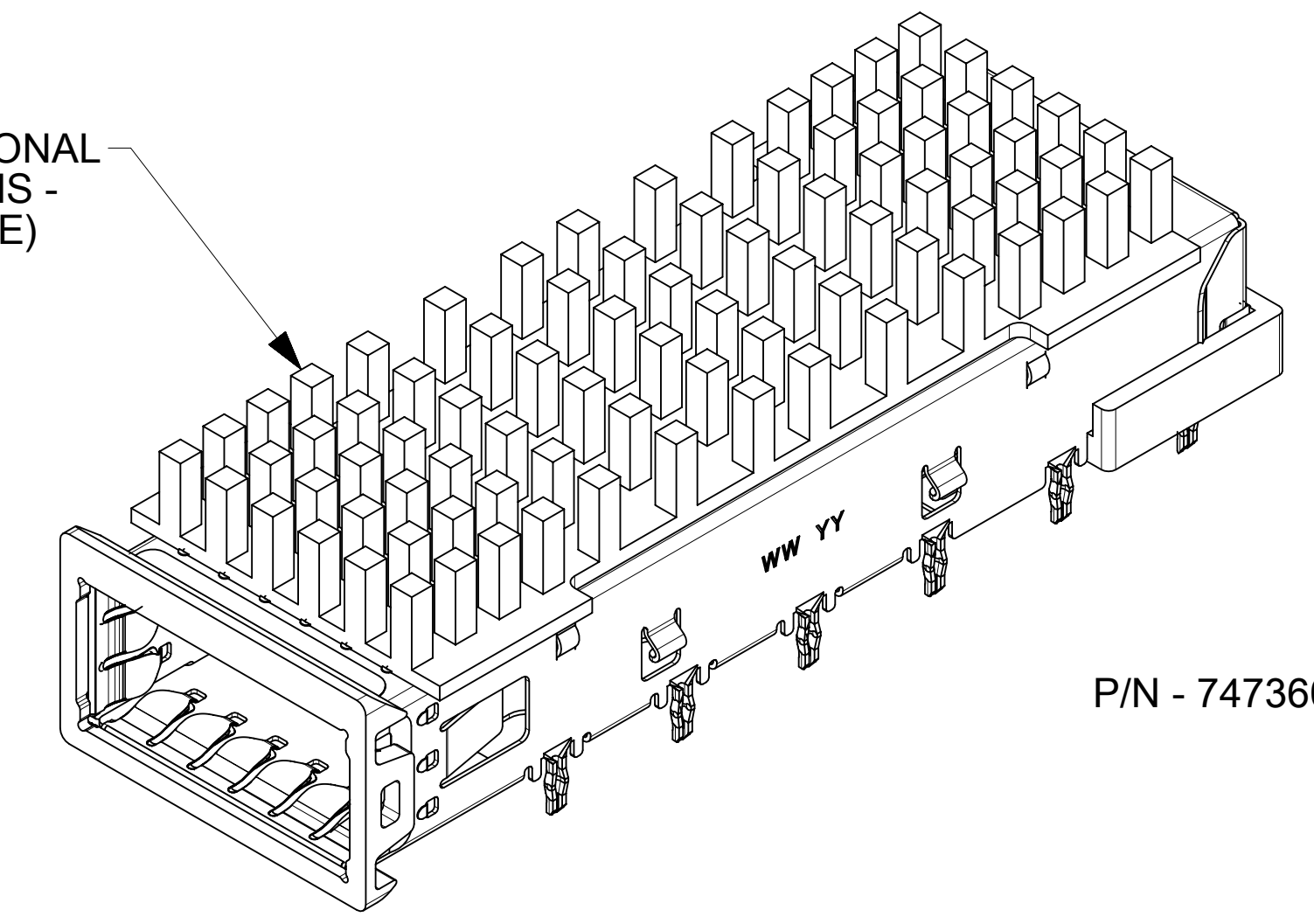


- 1. MAXIMUM HEIGHT OF HEATSINK WITH MODULE INSERTED
- 2. OVERALL HEIGHT OF HEATSINK
- 3. OTHER HEATSINK DESIGNS ARE AVAILABLE INCLUDING CUSTOM DESIGNS

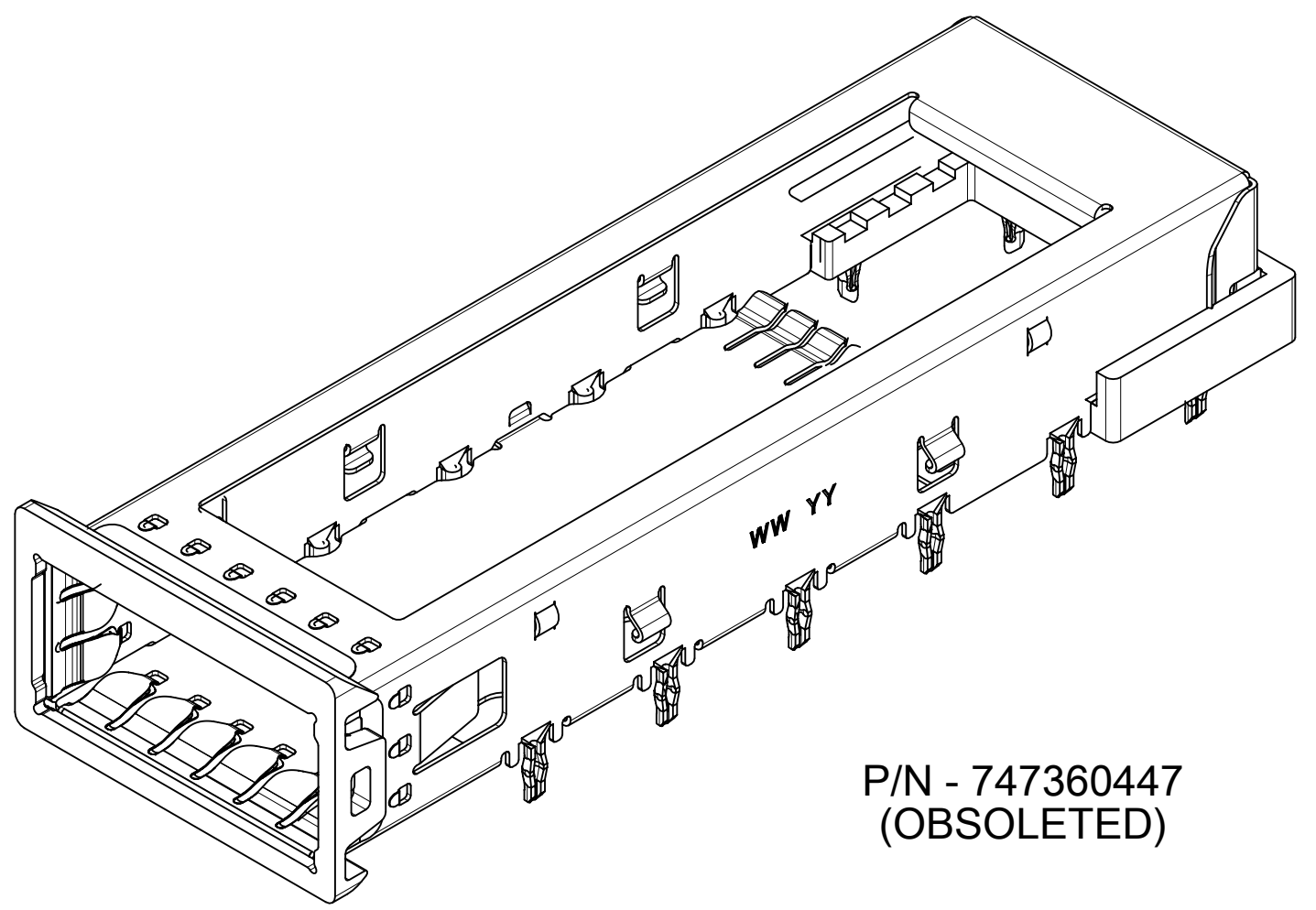
HEATSINK SINK AND CLIP ARE OPTIONAL
(SEE CHART FOR HEATSINK OPTIONS -
CUSTOM HEATSINKS ARE AVAILABLE)



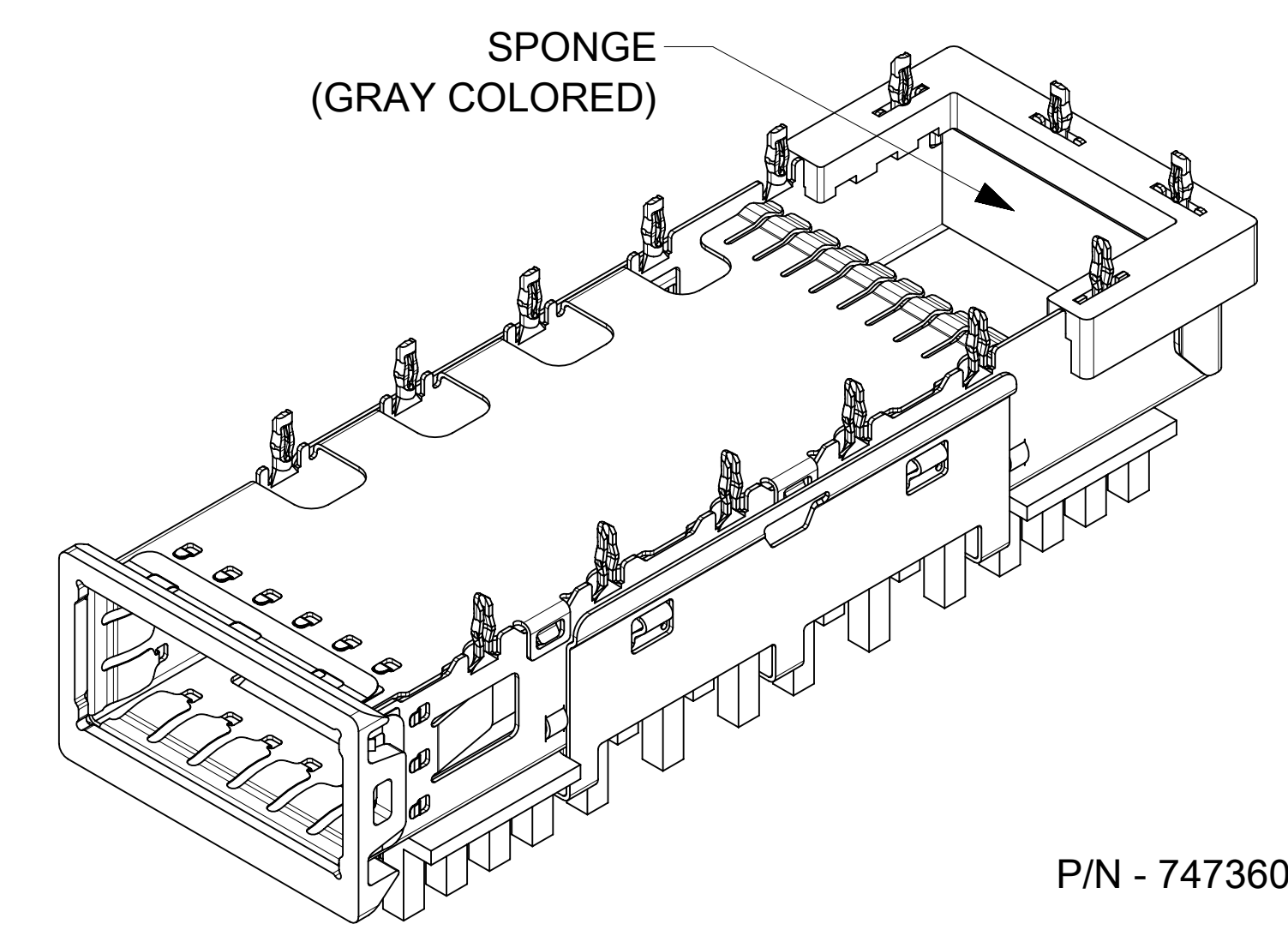
SPONGE
(GRAY COLORED)



P/N - 747360449



P/N - 747360447
(OBSOLETE)



P/N - 747360449

PART NUMBERS FOR XFP CAGE ASSEMBLY & PARTS

P/N	DIM A	DIM B	DESCRIPTION	POWER LEVEL	THERMAL RESISTANCE @200 LFM
747360449	6.3	6.5	XFP CAGE WITH SAN HEATSINK (SHOWN)	UP TO 2.5W	<11.5 C/W
747360450	13.3	13.5	XFP CAGE WITH TALL HEATSINK	UP TO 3.5W	<8.0 C/W
747360230	N/A	N/A	HEATSINK CLIP ONLY	N/A	N/A
747360240	N/A	N/A	PCI HEATSINK ONLY	UP TO 1.5W	<18.0 C/W
747360241	N/A	N/A	SAN HEATSINK ONLY	UP TO 2.5W	<11.5 C/W
747360242	N/A	N/A	TALL HEATSINK ONLY	UP TO 3.5W	<8.0 C/W

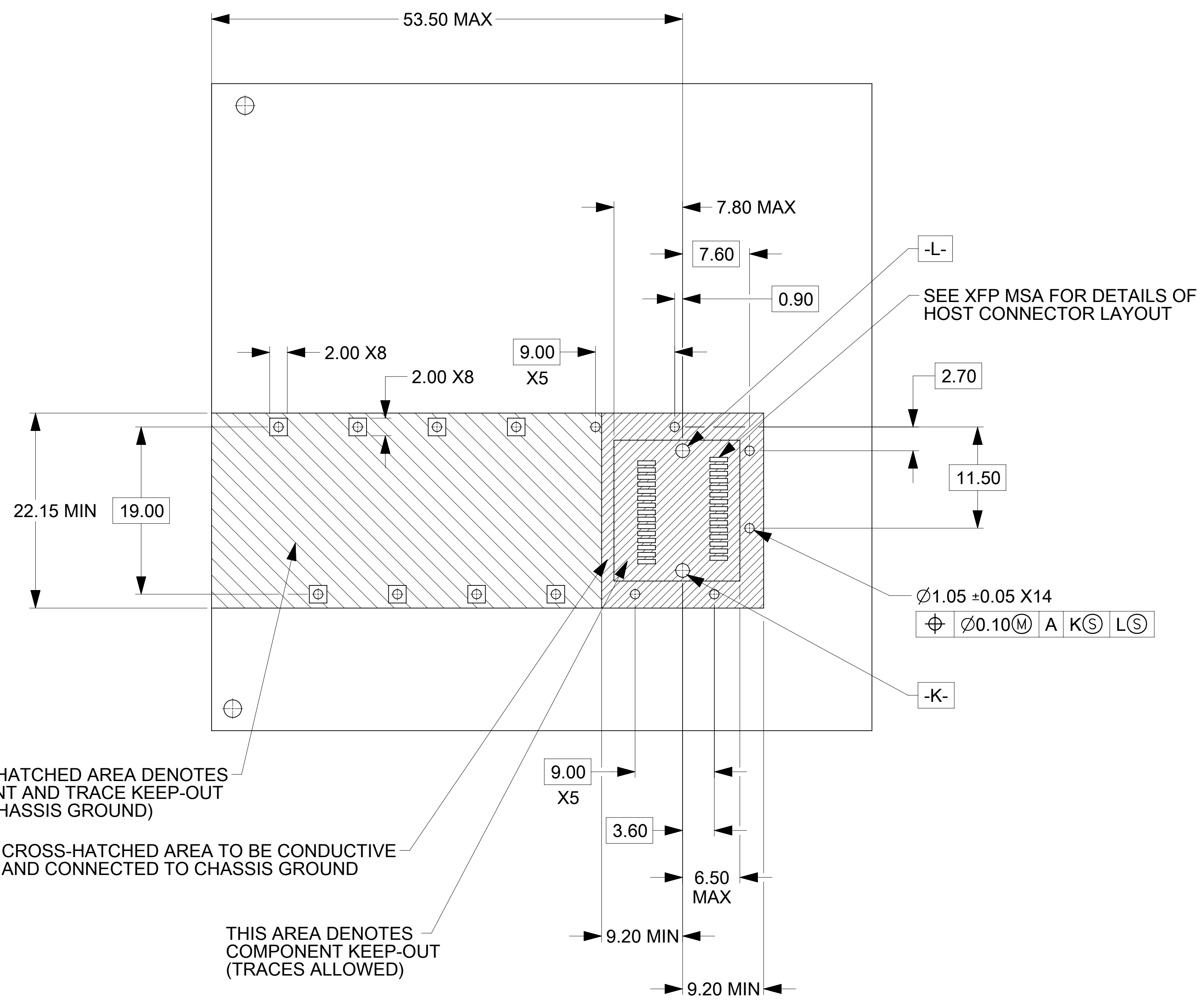
FUNCTIONAL SYMBOLS FA = 0 FE = 0 FP = 0	THIS DRAWING CONTAINS INFORMATION THAT IS PROPRIETARY TO MOLEX ELECTRONIC TECHNOLOGIES, LLC AND SHOULD NOT BE USED WITHOUT WRITTEN PERMISSION	SCALE 3:1		CURRENT REV DESC:	
	DIMENSION UNITS mm	GENERAL TOLERANCES (UNLESS SPECIFIED)		EC NO: 728791	
DIVISIONAL SYMBOLS	4 PLACES ±	MM	INCH	DRWN: DKUMARG 2022/11/16	
	3 PLACES ±			CHK'D: SMALLESHAPPA 2022/11/16	
	2 PLACES ± 0.1			APPR: SCHIEN 2022/11/17	
	1 PLACE ± 0.25			INITIAL REVISION:	
	0 PLACES ±			DRWN: CHIRSCHY 2008/09/25	
	ANGULAR TOL ± 1.0°			APPR: RMAHMOOD 2008/09/26	
DRAFT WHERE APPLICABLE MUST REMAIN WITHIN DIMENSIONS		THIRD ANGLE PROJECTION		DRAWING D-SIZE	SHEET NUMBER 74736
DOCUMENT STATUS P1		RELEASE DATE 2022/11/17 01:55:17		MATERIAL NUMBER SEE P/N TABLE	
				CUSTOMER GENERAL MARKET	
				SHEET NUMBER 1 OF 3	

molex

XFP CAGE ASSEMBLY
W/ 3D LEG

PRODUCT CUSTOMER DRAWING

DOCUMENT NUMBER	DOC TYPE	DOC PART	REVISION
SD-74736-0448	PSD	001	F3

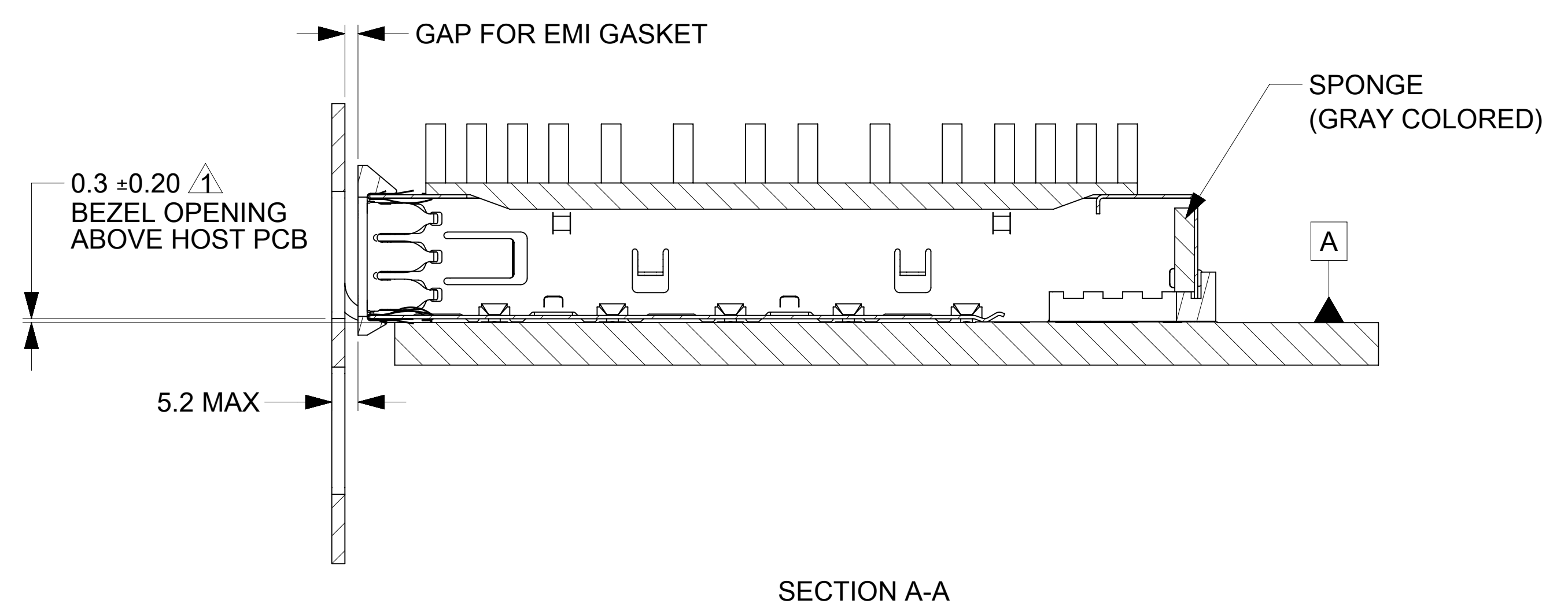
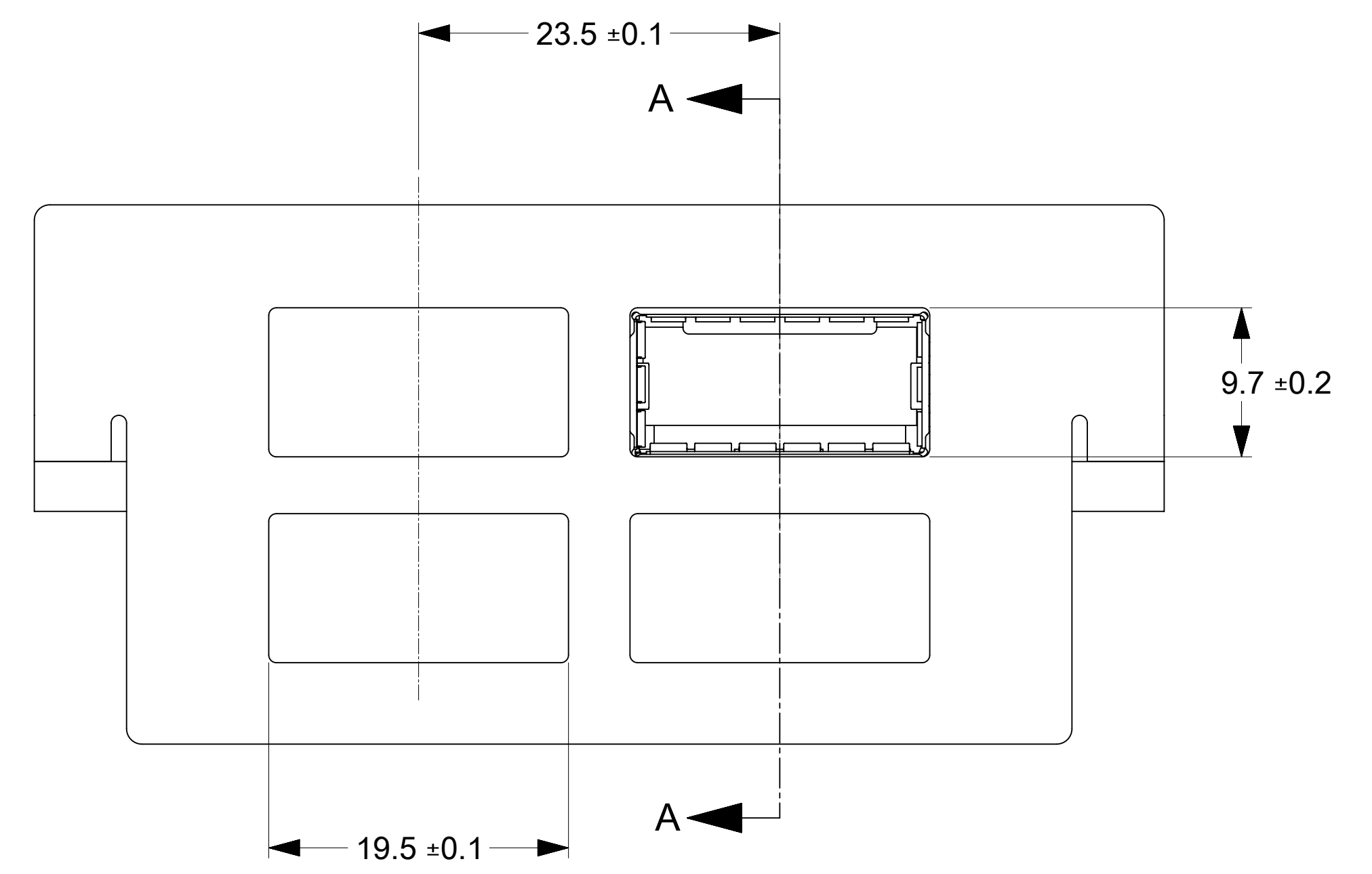


CROSSED-HATCHED AREA DENOTES COMPONENT AND TRACE KEEP-OUT (EXCEPT CHASSIS GROUND)

CROSS-HATCHED AREA TO BE CONDUCTIVE AND CONNECTED TO CHASSIS GROUND

THIS AREA DENOTES COMPONENT KEEP-OUT (TRACES ALLOWED)


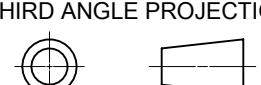
▲ FOR PCI APPLICATIONS RECOMMENDED DIMENSION IS 0.4 ±0.1



FUNCTIONAL SYMBOLS	THIS DRAWING CONTAINS INFORMATION THAT IS PROPRIETARY TO MOLEX ELECTRONIC TECHNOLOGIES, LLC AND SHOULD NOT BE USED WITHOUT WRITTEN PERMISSION									
	DIMENSION UNITS		SCALE		CURRENT REV DESC:					
	mm		3:1		EC NO: 728791 DRWN: DKUMARG 2022/11/16 CHK'D: SMALLESHAPPA 2022/11/16 APPR: SCHIEN 2022/11/17					
	GENERAL TOLERANCES (UNLESS SPECIFIED)									
DIVISIONAL SYMBOLS		MM		INCH		INITIAL REVISION:				
4 PLACES ±		±		±		DRWN: CHIRSCHY 2008/09/25				
3 PLACES ±		±		±		APPR: RMAHMOOD 2008/09/26				
2 PLACES ±		0.1		±		DOCUMENT NUMBER				
1 PLACE ±		0.25		±		SD-74736-0448				
0 PLACES ±		±		±		DOC TYPE		DOC PART		REVISION
ANGULAR TOL ±		1.0°				PSD		001		F3
DRAFT WHERE APPLICABLE MUST REMAIN WITHIN DIMENSIONS				THIRD ANGLE PROJECTION		DRAWING		SERIES		SHEET NUMBER
						D-SIZE		74736		2 OF 3
						MATERIAL NUMBER		CUSTOMER		
						SEE P/N TABLE		GENERAL MARKET		

DOCUMENT STATUS	P1	RELEASE DATE	2022/11/17	01:55:17
-----------------	----	--------------	------------	----------

DATE	REV	DESCRIPTION
2008/09/19	A	INITIAL RELEASE
2008/12/15	B	1. ADDED TEXT (DARK COLORED) TO COMPLIANT EMI GASKET NOTE
2010/03/01	C	1. ADDED NOTE TO PAGE 2 - THIS AREA DENOTES COMPONENT KEEP-OUT (TRACES ALLOWED) TO VIEW. 2. REMOVED NOTE 2 FROM PAGE 2.
2010/11/02	D	1.13.53 REF. DIMENSION WAS 12.95 REF. 2. ADD 1 PLACE TOLERANCE OF ±0.25 TO TITLE BLOCK
2013/04/23	E	1. ADDED 747360453.
2019/02/04	F	1. OBSOLETE PART NUMBER 747360448.
2019/12/11	F1	1. OBSOLETE P/N 0747360447 AND 747360453
2021/01/07	F2	SHEET 1: E17: REMOVED THE VIEW OF 747360453. J09 & H05: ADDED A NOTE FOR SPONGE(GRAY COLORED). SHEET 2: G03: ADDED A NOTE FOR SPONGE(GRAY COLORED).
2022/11/16	F3	SHEET 01 : K12 : CORRECTED TYPO OF DIMENSION FROM 12.95 REF TO 13.53 REF FOR THE FG P/N 747360449 AND 747360450.

FUNCTIONAL SYMBOLS FA = 0 FC = 0 FP = 0	THIS DRAWING CONTAINS INFORMATION THAT IS PROPRIETARY TO MOLEX ELECTRONIC TECHNOLOGIES, LLC AND SHOULD NOT BE USED WITHOUT WRITTEN PERMISSION		CURRENT REV DESC:		
	DIMENSION UNITS mm	SCALE 1:1	GENERAL TOLERANCES (UNLESS SPECIFIED)		
DIVISIONAL SYMBOLS	4 PLACES ±	MM	INCH	EC NO: 728791	PRODUCT CUSTOMER DRAWING DOCUMENT NUMBER: SD-74736-0448 DOC TYPE: PSD DOC PART: 001 REVISION: F3
	3 PLACES ±	±	±	DRWN: DKUMARG 2022/11/16	
	2 PLACES ±	0.1	±	CHK'D: SMALLESHAPPA 2022/11/16	
	1 PLACE ±	0.25	±	APPR: SCHIEN 2022/11/17	
	0 PLACES ±	±	±	INITIAL REVISION: DRWN: CHIRSCHY 2008/09/25 APPR: RMAHMOOD 2008/09/26	
ANGULAR TOL ± 1.0 °		DRAFT WHERE APPLICABLE MUST REMAIN WITHIN DIMENSIONS			D-SIZE SERIES: 74736 MATERIAL NUMBER: SEE P/N TABLE CUSTOMER: GENERAL MARKET SHEET NUMBER: 3 OF 3