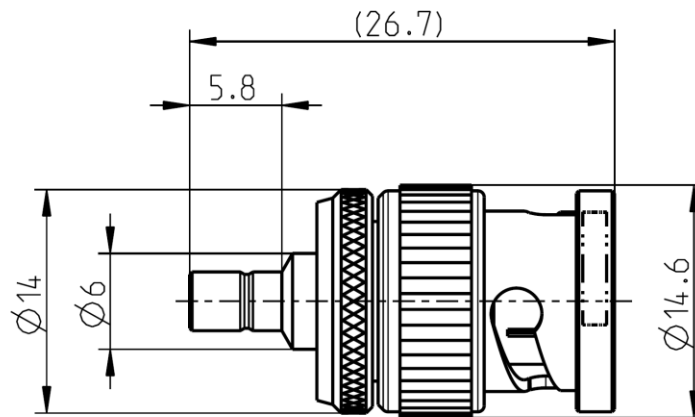


SMB  
BNC

Adaptor  
SMB Plug – BNC Plug

**59S151-S00L5**



All dimensions are in mm; tolerances according to ISO 2768 m-H

**Interface**

According to SMB side: IEC 60169-10, CECC 22130, MIL-PRF-39012  
BNC side: DIN EN 61169-8

**Documents**

N/A

**Material and plating**

**Connector parts**

	Material	Plating
Center contact	Brass	AuroDur®, gold plated
Outer contact SMB side	Brass	AuroDur®, gold plated
Outer contact BNC side	Brass	Nickel, 2.5-5 µm
Dielectric	PTFE	
Gasket	NeopreneCR 50C6	

Dieses Dokument ist urheberrechtlich geschützt • This document is protected by copyright • Rosenberger Hochfrequenztechnik GmbH & Co. KG

RFB00035/12.20/6.4

SMB  
BNC

Adaptor  
SMB Plug – BNC Plug

**59S151-S00L5**

**Electrical data**

Impedance	50 Ω
Frequency	DC to 4 GHz
Return loss	≥ 33 dB, DC to 1 GHz ≥ 29 dB, 1 to 4 GHz
Insertion loss	≤ 0.05 x √f(GHz) dB
Insulation resistance	≥ 1x10 <sup>3</sup> MΩ
Center contact resistance	≤ 5 mΩ, SMB side      ≤ 1.5 mΩ, BNC side
Outer contact resistance	≤ 2.5 mΩ, SMB side    ≤ 1 mΩ, BNC side
Test voltage	750 V rms, 50 Hz, at sea level
Working voltage	≤ 250 V rms, 50 Hz, at sea level
Contact current	1.5 A DC typ.
RF-leakage	≥ 55 dB up to 1 GHz

**Mechanical data**

	SMB side	BNC side
Mating cycles	min. 500	min. 500
Center contact captivation: axial	≥ 10 N	≥ 10 N
Engagement force	≤ 63 N	N/A
Disengagement force	8 N min. to 63 N max.	N/A

**Environmental data**

Temperature range	-55°C to +155°C
Thermal shock	MIL-STD-202, Meth. 107, Cond. B
Vibration	MIL-STD-202, Meth. 204, Cond. B
Corrosion	MIL-STD-202, Meth. 101, Cond. B
Moisture resistance	MIL-STD-202, Meth. 106
RoHS	compliant

**Tooling**

N/A

**Suitable cables**

N/A

**Weight**

Weight 13 g/pce

While the information has been carefully compiled to the best of our knowledge, nothing is intended as representation or warranty on our part and no statement herein shall be construed as recommendation to infringe existing patents. In the effort to improve our products, we reserve the right to make changes judged to be necessary.

For the installation of the electrotechnical equipment, particular electrotechnical expertise is required.



Draft	Date	Approved	Date	Rev.	Engineering change number	Name	Date
Inge Mühlauer	29.10.08	Chr. Janßen	09.02.21	d00	20-1927	S. Huber-Siegl	09.02.21

Rosenberger Hochfrequenztechnik GmbH & Co. KG  
P.O.Box 1260 D-84526 Tittmoning Germany  
[www.rosenberger.com](http://www.rosenberger.com)

Tel. : +49 8684 18-0  
Email : [info@rosenberger.com](mailto:info@rosenberger.com)

Page  
2 / 2