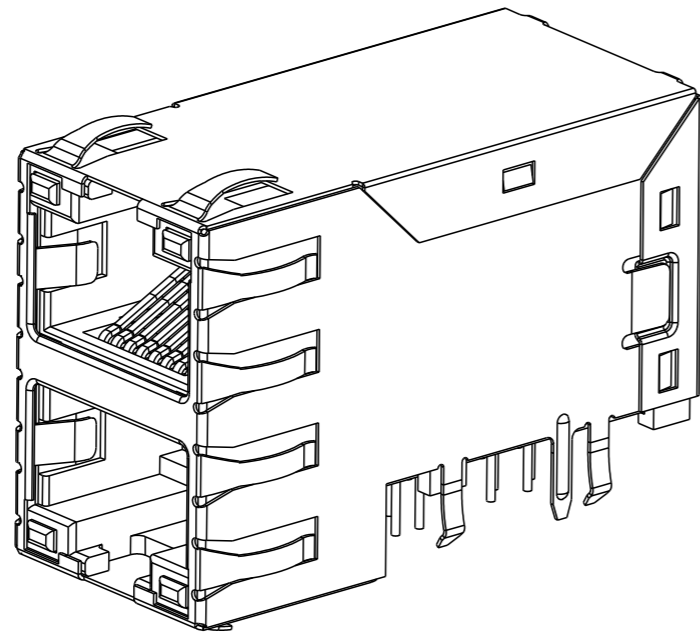


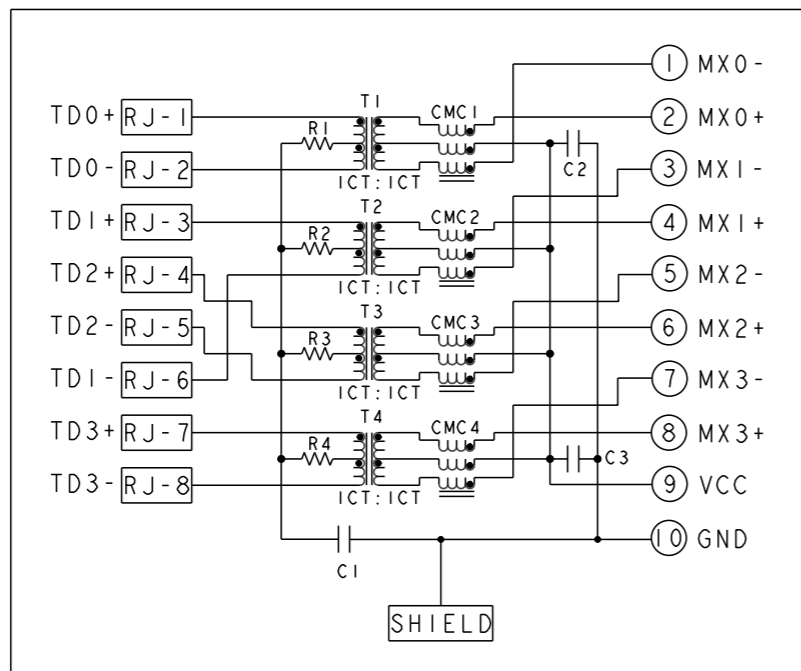
THIS DRAWING AND THE SUBJECT MATTER SHOWN THEREON ARE CONFIDENTIAL AND THE PROPERTY OF BEL/STEWART/TRP CONNECTOR AND SHALL NOT BE REPRODUCED, COPIED, OR USED IN ANY MANNER WITHOUT THE WRITTEN CONSENT OF TRP CONNECTOR.

PRODUCT MAY BE PROTECTED BY ONE OR MORE OF THE FOLLOWING US PATENTS:
 5736910 5939955 6425781 6428361 6554638 6840817 7123117
 7429195 7717749 7808751 6217391 6149050 7924130

REVISIONS				
#	LT#	DESCRIPTION	DATE	OWN APVD
1		INITIAL RELEASE	29JUL2020	QL TY
A		EC-2009010	21SEP2020	QL TY



S8G56ET GIGABIT CIRCUIT $\triangle \triangle$
 TOP AND BOTTOM PORTS



C1 = 1000pF, 2kV CAPACITOR
 C2 - C3 = 10nF, 50V CAPACITORS
 R1 - R4 = 75 Ohms, 1/16W, RESISTORS

- 1 MATERIALS:
 - HOUSING: THERMOPLASTIC, BLACK, FLAMMABILITY RATING UL 94V-0.
 - SHIELD: BRASS, PREPLATED WITH 0.76um MIN SEMI-BRIGHT NICKEL, POST DIPPED WITH 2.54um MIN SAC SOLDER ON SOLDER TAILS.
 - CONTACTS: PHOSPHOR BRONZE, PLATED WITH 1.27um MIN OVERALL NICKEL UNDERPLATE, SELECTIVE 1.27um MIN GOLD AT MATING INTERFACE AND 4.00um MIN MATTE TIN ON SOLDER TAILS.

- $\triangle 2$ MAGNETICS
 - APPLICATION: 10/100/1000 BASE-T
 - IMPEDANCE: 100 OHMS
 - TURNS RATIO (CHIP:CABLE): 1:1 ALL FOUR PAIRS
 - OPEN CIRCUIT INDUCTANCE (OCL): 350uH MIN @100kHz, 0.1VRMS, 8mADC BIAS FROM -40 °C TO +85 °C, ALL FOUR PAIRS
 - ALL FOUR PAIRS BI-DIRECTIONAL
 - PERFORMANCE @ 25 °C:
 INSERTION LOSS (IL): 1.1dB MAX FROM 0.5MHz TO 100MHz
 RETURN LOSS (RL): 18dB MIN FROM 0.5MHz TO 40MHz
 12-20LOG(f/80)dB MIN FROM 40.1MHz TO 100MHz
 CROSSTALK ATTENUATION: 35dB MIN FROM 0.5MHz TO 40MHz
 33-20LOG(f/50)dB MIN FROM 40.1MHz TO 100MHz
 COMMON MODE REJECTION RATIO (CMRR):
 30dB MIN FROM 0.5MHz TO 100MHz
 - ISOLATION VOLTAGE: 2250VDC(MAX) FOR 60 SECONDS WITH A RISE TIME OF 500V/SEC AND WITH ALL PORTS CONNECTED.

- $\triangle 3$ PART NUMBER, DATE CODE AND COUNTRY OF ORIGIN ARE LOCATED IN THE APPROXIMATE AREA SHOWN. DATE CODE YY IS YEAR, WW IS WORK WEEK, D IS DAY OF WEEK, WITH SUNDAY=1

- $\triangle 4$ TRP LOGO AND AGENCY APPROVAL LOGO ARE LOCATED IN THE APPROXIMATE AREA SHOWN.

- $\triangle 5$ RJ45 CAVITIES CONFORM TO FCC RULES AND REGULATION PART 68 SUBPART F.

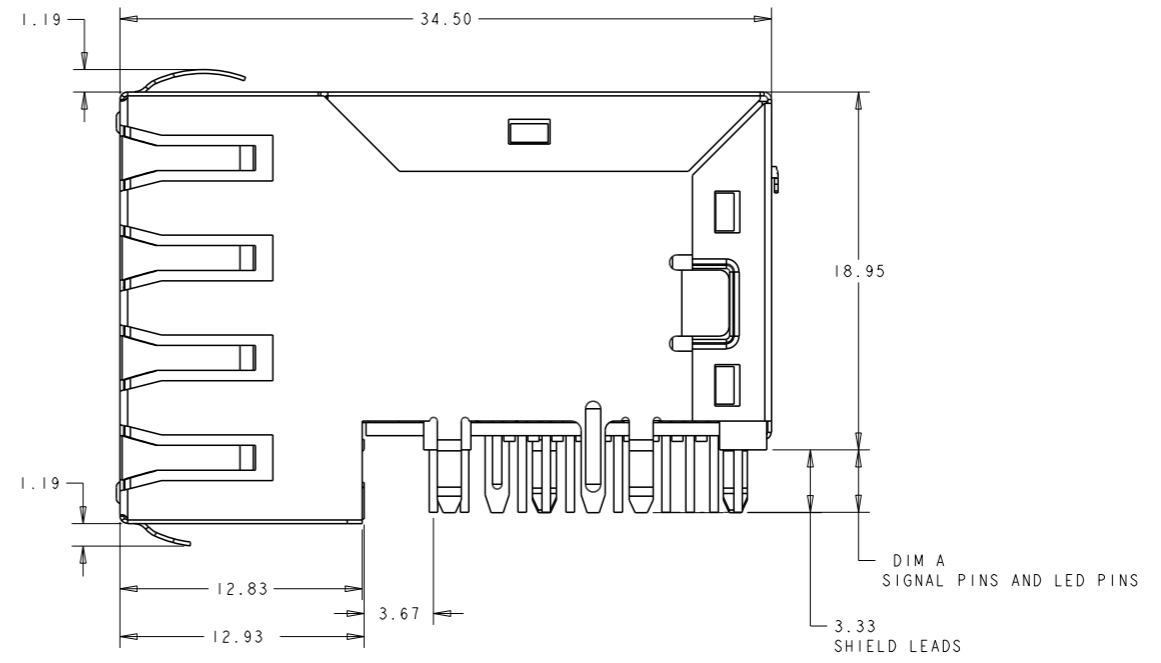
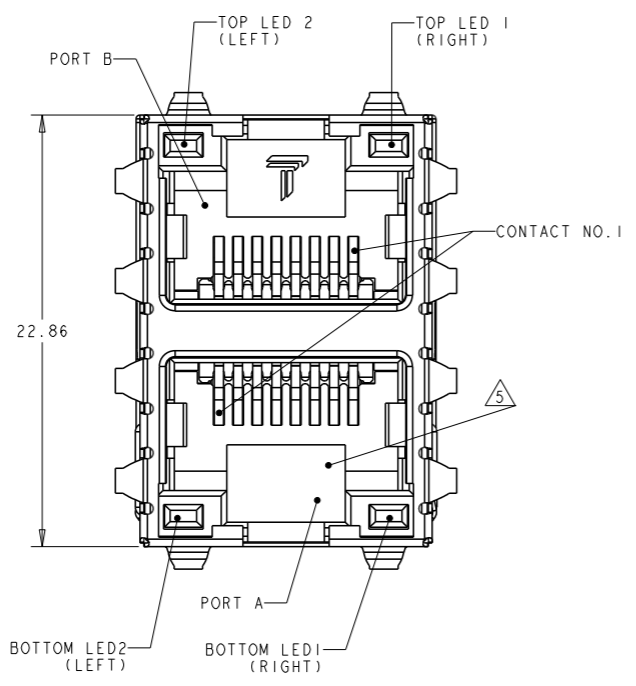
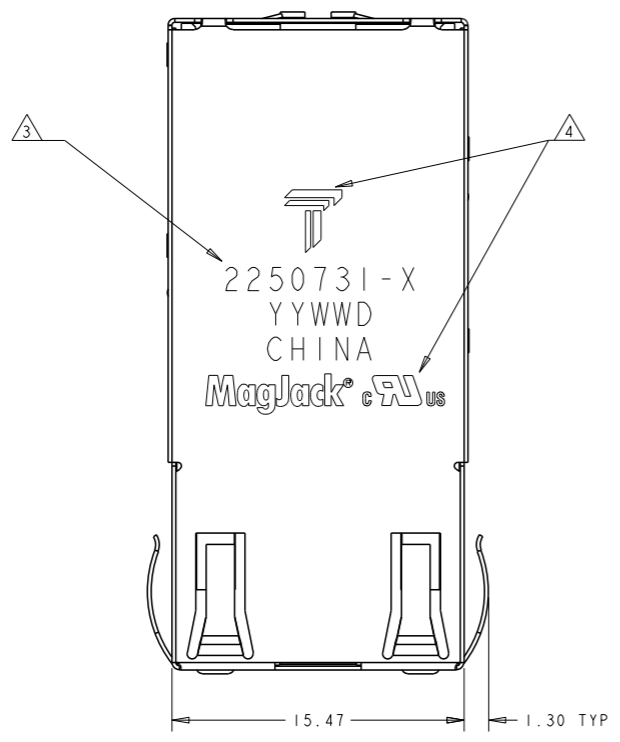
- $\triangle 6$ LEDS ARE DRIVEN WITH CONSTANT CURRENT AT APPROX. 20mA.
 DOMINANT WAVELENGTH (λ D)
 GREEN, 568nm TYP AT IF=20mA
 YELLOW, 588nm TYP AT IF=20mA
 FORWARD VOLTAGE(VF)
 GREEN, 2.2V TYP AT IF=20mA
 YELLOW, 2.1V TYP AT IF=20mA

- \triangle INDICATED MAGNETIC CONNECTIONS ARE SYMMETRICAL AND SUPPORT AUTO-MDI/MDIX.

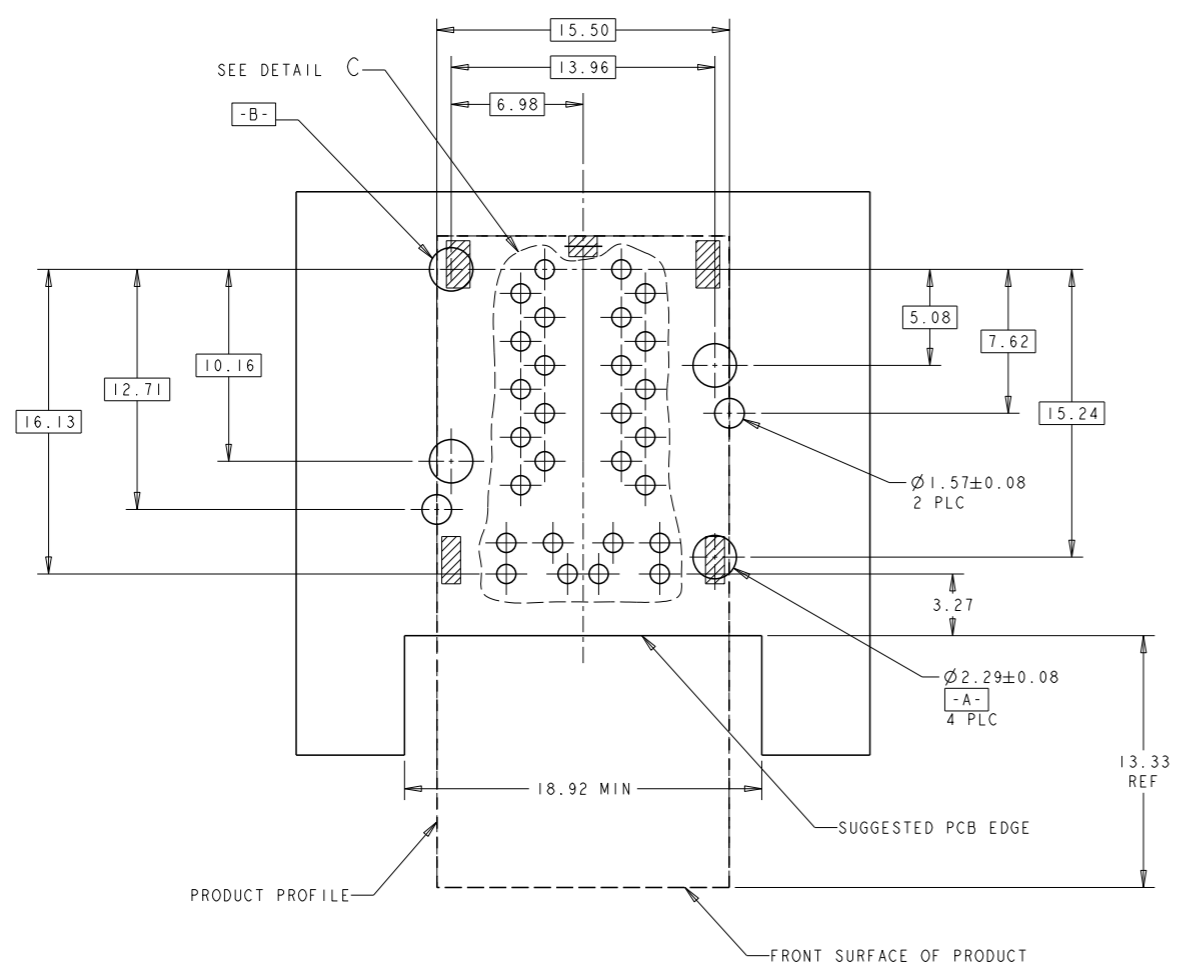
- 8 OPERATING TEMPERATURE: FROM -40 °C TO +85 °C

- 9 THE PART IS RECOMMENDED FOR WAVE SOLDERING PROCESS, PEAK TEMPERATURE 260°C MAX, 10 SECONDS MAX.

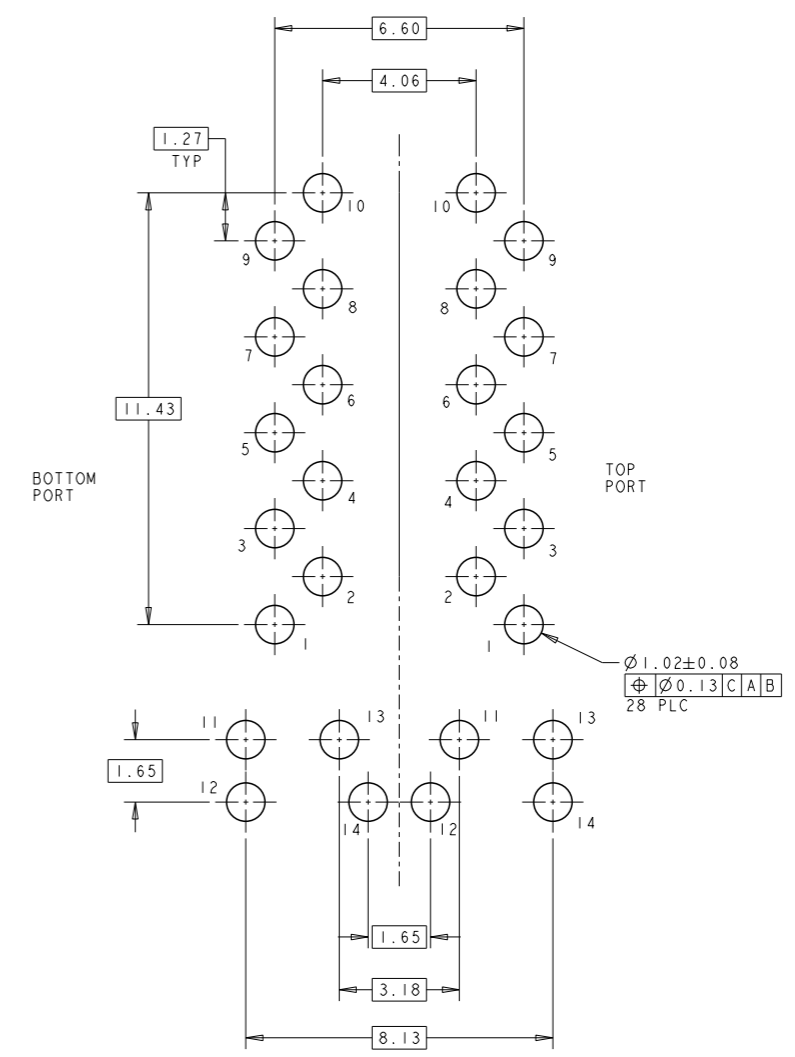
3.30	GREEN/YELLOW	GREEN/YELLOW	GREEN/YELLOW	GREEN/YELLOW	2250731-1
DIM A	BOTTOM LED 2(LEFT)	BOTTOM LED 1(RIGHT)	TOP LED 2(LEFT)	TOP LED 1(RIGHT)	PART NUMBER
THIS DRAWING IS A CONTROLLED DOCUMENT. AND COMPLIANT TO ASME Y14.5M			DWN 29JUL2020 QUINTIN LIU/FERRY LIN CHN 29JUL2020 TOWER YU APVD 29JUL2020 TONY YUAN		
DIMENSIONS: mm		TOLERANCES UNLESS OTHERWISE SPECIFIED: 0 PLC ± 0.25 1 PLC ± 0.25 2 PLC ± 0.25 3 PLC ± 0.25 4 PLC \pm ANGLES \pm			
PRODUCT SPEC 108-104004		APPLICATION SPEC		MODEL NAME: MAGJACK DESC: STACK NON-PoE SIZE: A1 CAGE CODE: 2250731 DRAWING NO: 2250731 RESTRICTED TO: CUSTOMER DRAWING	
SCALE: NTS			SHEET 1 OF 4 REV A		



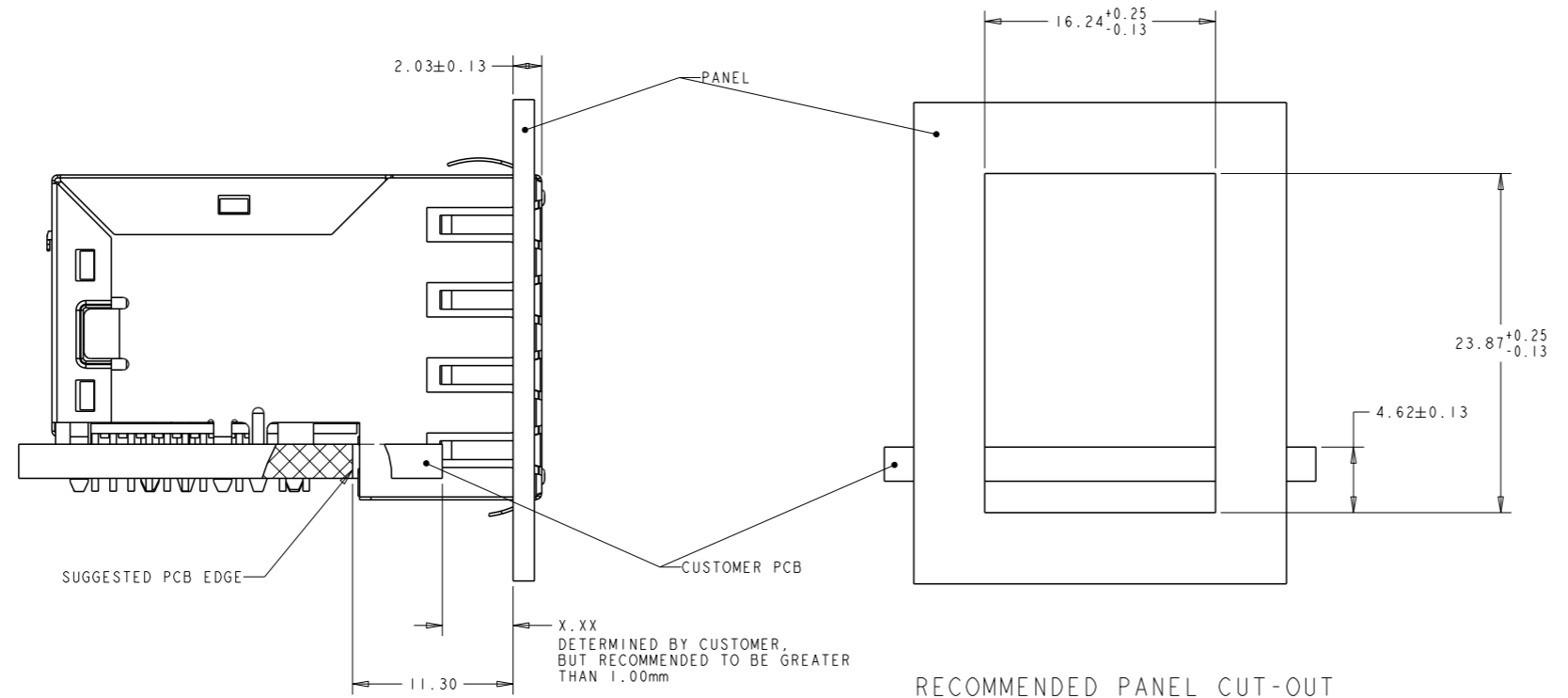
THIS DRAWING IS A CONTROLLED DOCUMENT. AND COMPLIANT TO ASME Y14.5M		DWN: 29 JUL 2020 QUENTIN LIU / TERRY LIN		DONGGUAN CHINA
DIMENSIONS: mm		CHK: 29 JUL 2020 TOWER YU		
TOLERANCES UNLESS OTHERWISE SPECIFIED:		APP'D: 29 JUL 2020 TONY YUAN	MODEL NAME	
0 PLC ±0.25 1 PLC ±0.25 2 PLC ±0.25 3 PLC ±0.25 4 PLC ± ANGLES ±		DESC: 2X1 S8G56ET GIGABIT CIRCUIT, OFFSET, WITH LED		
PRODUCT SPEC 108-104004		APPLICATION SPEC -		SIZE: A1 CAGE CODE: C=2250731 DRAWING NO: 2250731 RESTRICTED TO: -
CUSTOMER DRAWING			SCALE: NTS	SHEET 2 OF 4 REV A



RECOMMENDED PC BOARD LAYOUT VIEW FROM COMPONENT SIDE

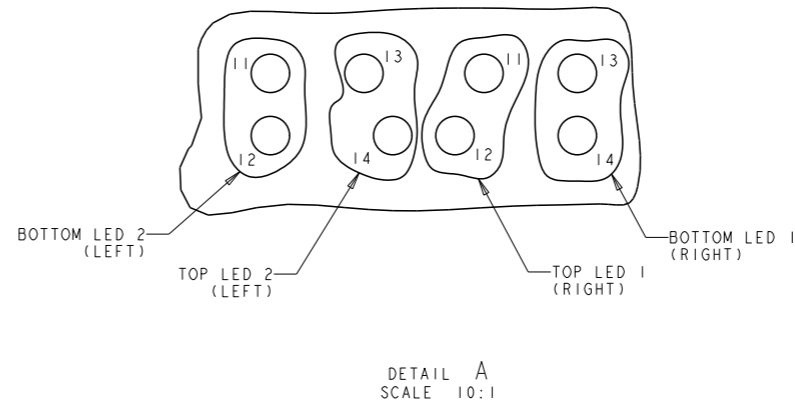
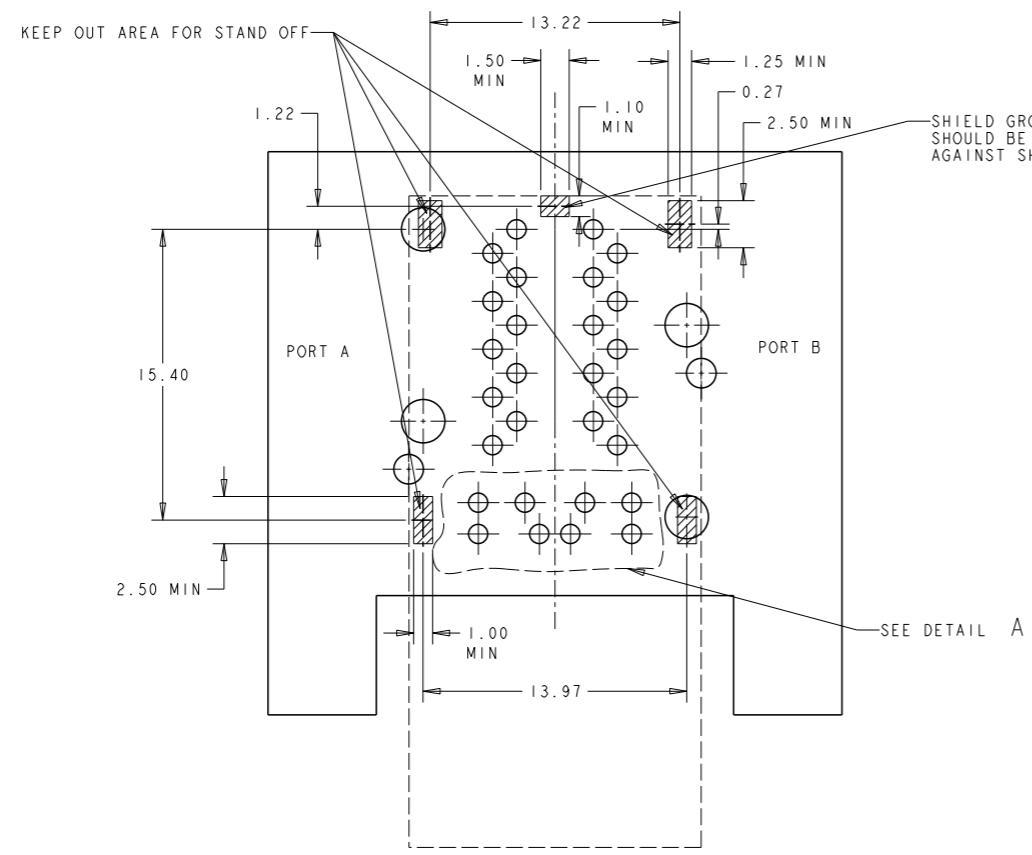


DETAIL C SCALE 10:1



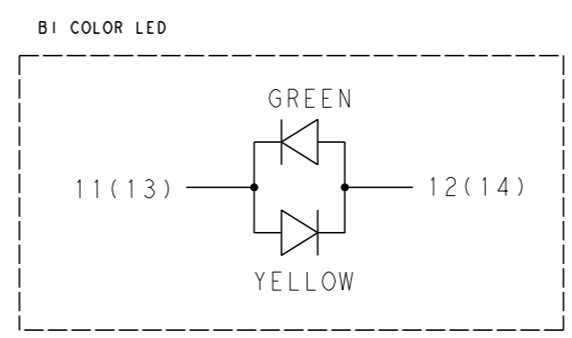
RECOMMENDED PANEL CUT-OUT

THIS DRAWING IS A CONTROLLED DOCUMENT. AND COMPLIANT TO ASME Y14.5M		DWN: 29 JUL 2020 CHK: QUENTIN LIU / FERRY LIN 29 JUL 2020		trp CONNECTOR DONGGUAN CHINA
DIMENSIONS: mm		TOLERANCES UNLESS OTHERWISE SPECIFIED:		
		0 PLC ±0.25 1 PLC ±0.25 2 PLC ±0.25 3 PLC ± 4 PLC ± ANGLES ±		MODEL NAME: MAGJACK DESC: 2X1 S8G56ET GIGABIT CIRCUIT, OFFSET, WITH LED
PRODUCT SPEC: 108-104004		APPLICATION SPEC: -		SIZE: A1 CAGE CODE: C=2250731 DRAWING NO: - RESTRICTED TO: - SCALE: NTS SHEET: 3 OF 4 REV: A



KEEP OUT AREA & LED HOLE DESIGNATIONS & PORT ASSIGNMENT VIEW FROM COMPONENT SIDE

TOLERANCE: ±0.08 mm



THIS DRAWING IS A CONTROLLED DOCUMENT. AND COMPLIANT TO ASME Y14.5M		DWN: 29 JUL 2020 CHK: QUENTIN LIU/FERRY LIN 29 JUL 2020	 DONGGUAN CHINA
DIMENSIONS: mm		APPRO: TOWER YU 29 JUL 2020	
DIMENSIONS: mm 0 PLC ±0.25 1 PLC ±0.25 2 PLC ±0.25 3 PLC ±0.25 4 PLC ± ANGLES ±		MODEL NAME: MAGJACK DESC: 2X1 S8G56ET GIGABIT CIRCUIT, OFFSET, WITH LED	
PRODUCT SPEC: 108-104004		APPLICATION SPEC: - SIZE: A1 CAGE CODE: - DRAWING NO: C=2250731 RESTRICTED TO: - CUSTOMER DRAWING	
		SCALE: NTS SHEET 4 OF 4 REV A	