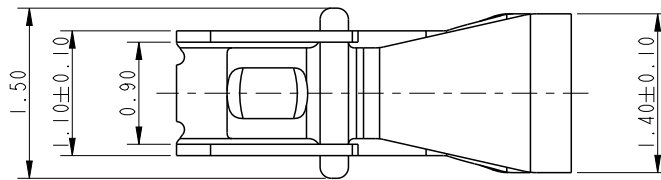
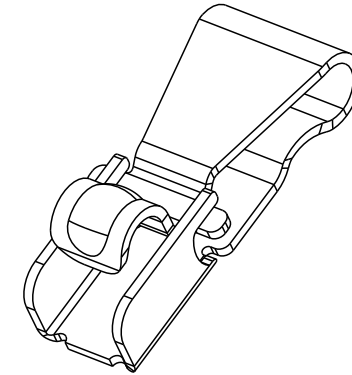
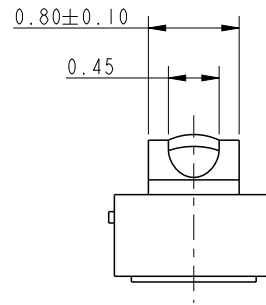
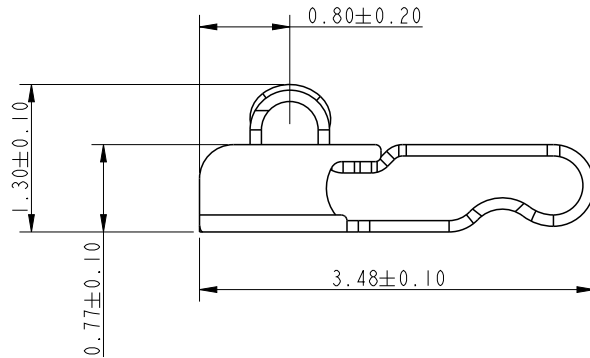


	PRODUCT NO.
FCI	10094594-001RLF
	10094594-003RLF
	10094594-009RLF



NOTES:

- MATERIAL: BERYLLIUM COPPER ALLOY.
- CONTACT PLATING:
CONTACT AREA: PLATING 1um Au OVER 1.0/3.0 um Ni UNDERPLATE.
or PLATING 0.05~0.15um Au OVER 1.0/3.0 um Ni UNDERPLATE.
or PLATING 1um GXT OVER 1.0/3.0 um Ni UNDERPLATE.
(1um GXT=0.025~0.125um Au over 0.875um PdNi)
SOLDER AREA: PLATING 0.05 TO 0.15um Au OVER 1.0/3.0 um Ni UNDERPLATE.
- PACKAGING: TAPE & REEL
- PART NUMBER DESCRIPTION:
10094594- 0 0 X X X

LF: LEAD FREE

R: TAPE & REEL

CONTACT PLATING:

1: 1um Au over Ni

3: Gold flash over Ni

△9: 1um GXT over Ni

rev	ecn no	dr	date
A	DG09-0043	SH	2009-02-20
B	DG11-0048	SM	2011-02-22
C	ELX-DG-011644-1	AL	2012-05-18
-	-	-	-
-	-	-	-
-	-	-	-
-	-	-	-

spec ref	*	dr	Louis Ng	2009/07/14	projection	mm	size	A4	scale	15.000
tolerance std	ASME Y14.5	eng	Andy Lu	2012/05/18			ecn no ELX-DG-011644-1			
TOLERANCES UNLESS OTHERWISE SPECIFIED		chr	Young Ou	2012/05/18			rel level Released			
surface	ASME Y14.5	appr	Pei-Ming Zheng	2012/05/21	product family		-		-	
	linear	0.X	±0.25		title ANTENNA CONNECTOR UNIVERSAL CONTACT		dwg no 10094594		rev C	
		0.XX	±0.15							
		0.XXX	±0.050							
ASME Y14.5	angular	0°	±3°	www.fci.com	cat. no.	-	Product - Customer Drw		sheet 1 of 1	