

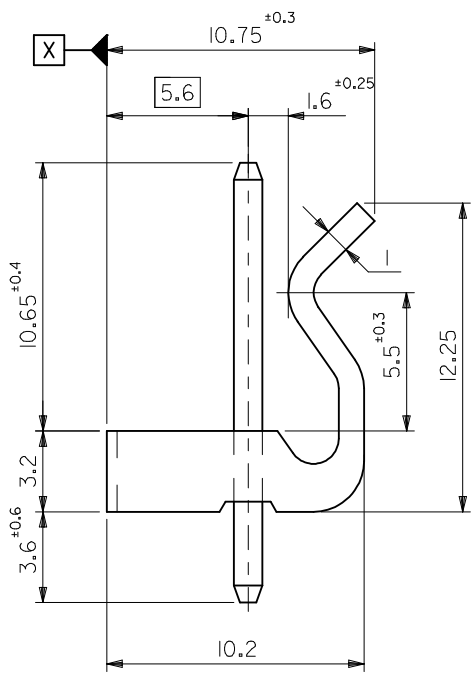
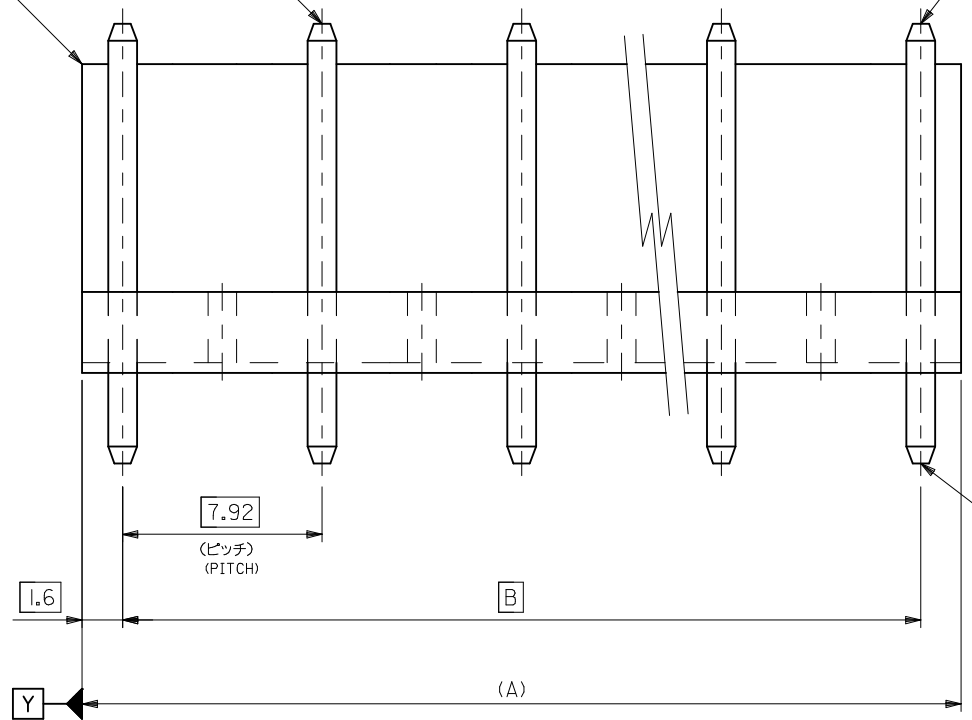
10 9 8 7 6 5 4 3 2 1

5028-(2N-1) (ナイロン66, 94V-2)

5028-(2N-1) (NYLON66,94V-2)

2161-35 (□1.14X17.45黄銅, 銅下付錫メッキ)

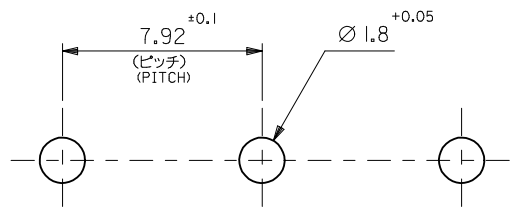
2161-35(□1.14X17.45 BRASS, TIN OVER COPPER PLATE)



注記

ウェハーのそりは、長さ25.4に対して0.24最大。  
CAMBER OF WAFER MUST BE 0.24mm MAX.PER 25.4mm.

39.6	42.8	10-63-4067	5096-06C	6
31.68	34.88	10-63-4057	5096-05C	5
23.76	26.96	10-63-4047	5096-04C	4
15.84	19.04	10-63-4037	5096-03C	3
7.92	11.12	10-63-4027	5096-02C	2
B	(A)	EDP.NO.	MATERIAL NO.	種数 NO. OF CKTS.
			MODEL NO.	5096-NC



基板取付穴推奨寸法  
RECOMMENDED PC BOARD HOLE DIMENSION

REVISED EC NO: J2014-1224 DRWN:YAJI MA01 2014/02/04 CHKD:KASAKAWA 2014/02/10 APPR:NUKITA 2014/02/10	GENERAL TOLERANCES (UNLESS SPECIFIED)		DIMENSION STYLE MM ONLY	SCALE 5:1	DESIGN UNITS METRIC	TITLE KK7.92 WAFER ASSY WITH LOCK
	10 UNDER	±0.2	DRAWN BY M. HARA	DATE '96/6/20		
	10 OVER 30 UNDER	±0.25	CHECKED BY M. FUKUSHIMA	DATE '96/6/20		
	30 OVER	±0.3	APPROVED BY M. ENOMOTO	DATE '96/6/20		
ANGULAR ±3 °		MATERIAL NO.		DOCUMENT NO. SD-5096-001		
DRAFT WHERE APPLICABLE MUST REMAIN WITHIN DIMENSIONS		SIZE A3		THIS DRAWING CONTAINS INFORMATION THAT IS PROPRIETARY TO MOLEX INCORPORATED AND SHOULD NOT BE USED WITHOUT WRITTEN PERMISSION		

9 8 7 6 5 4 3 2