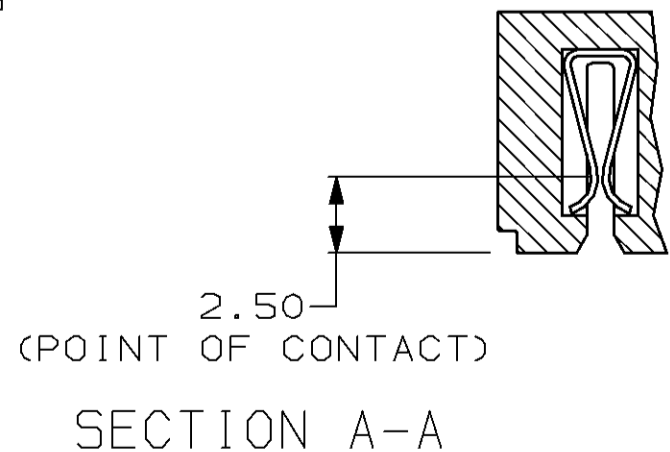
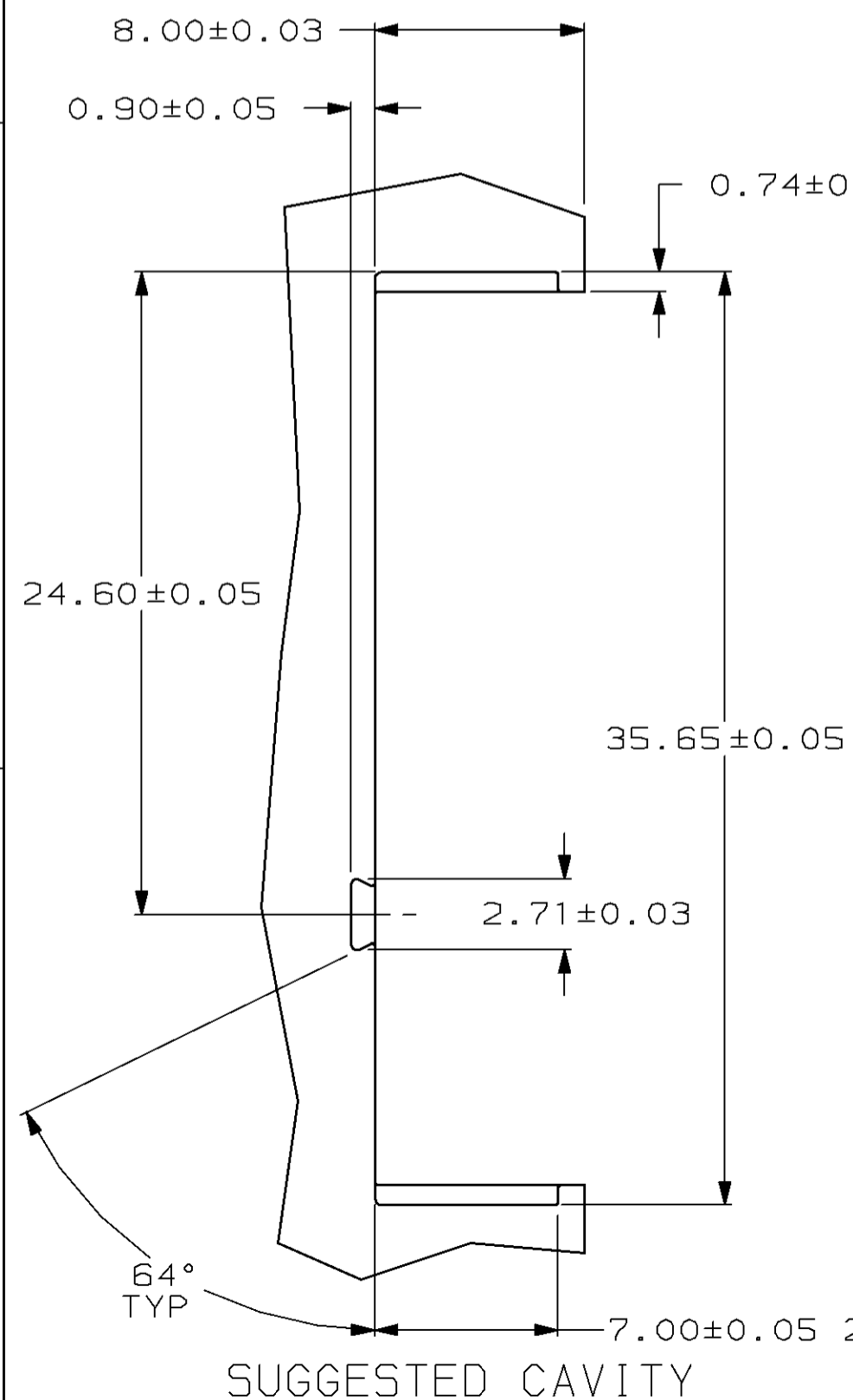
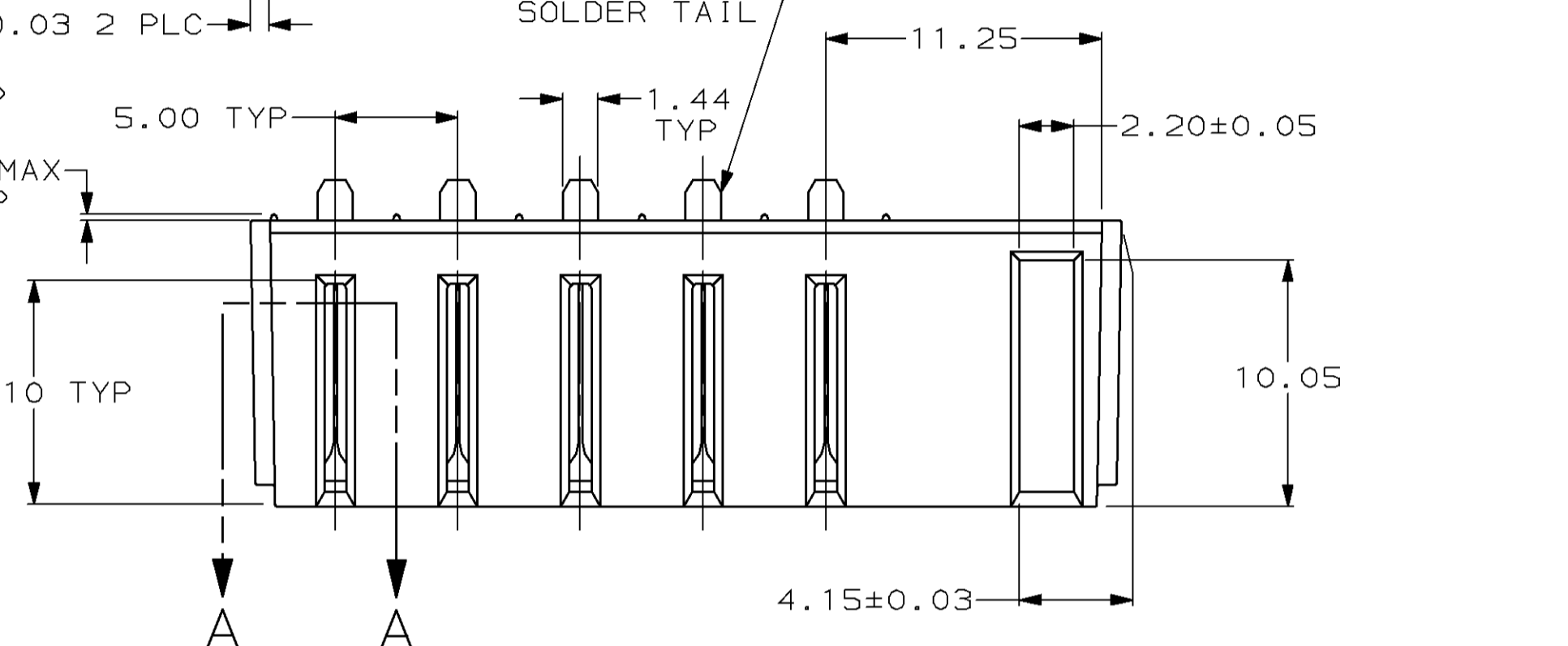
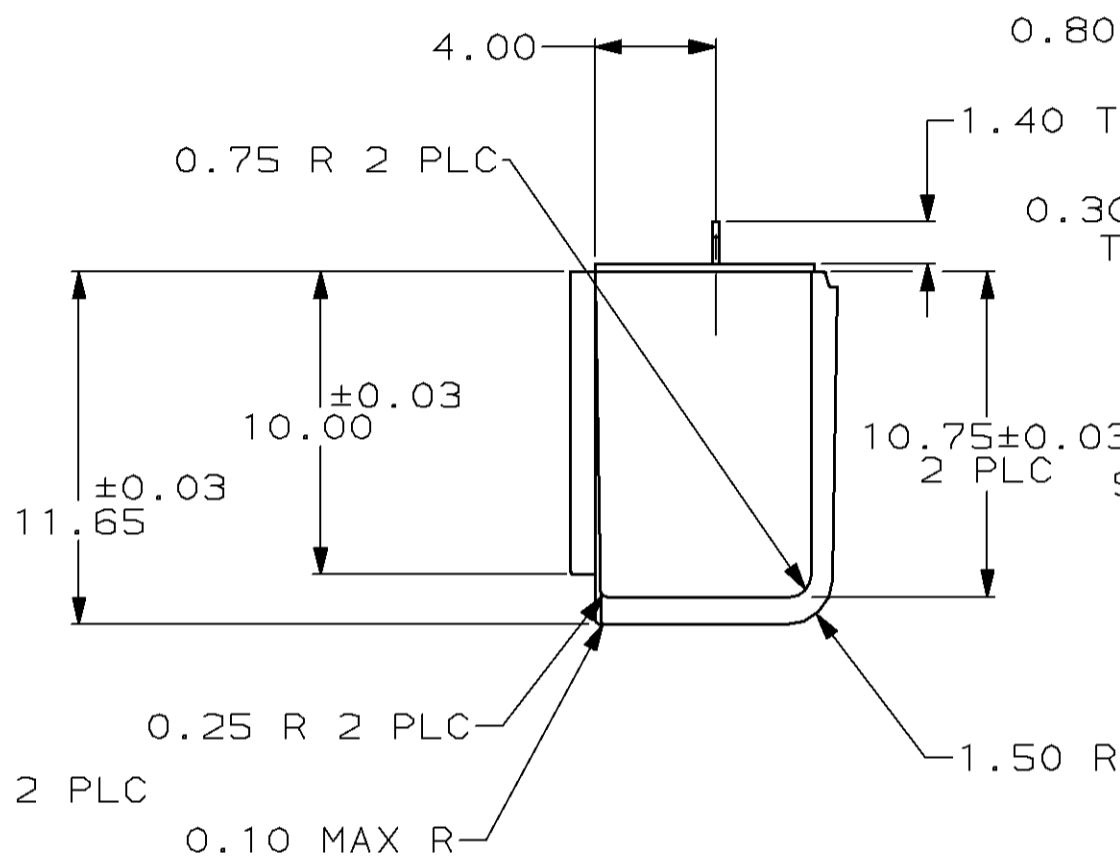
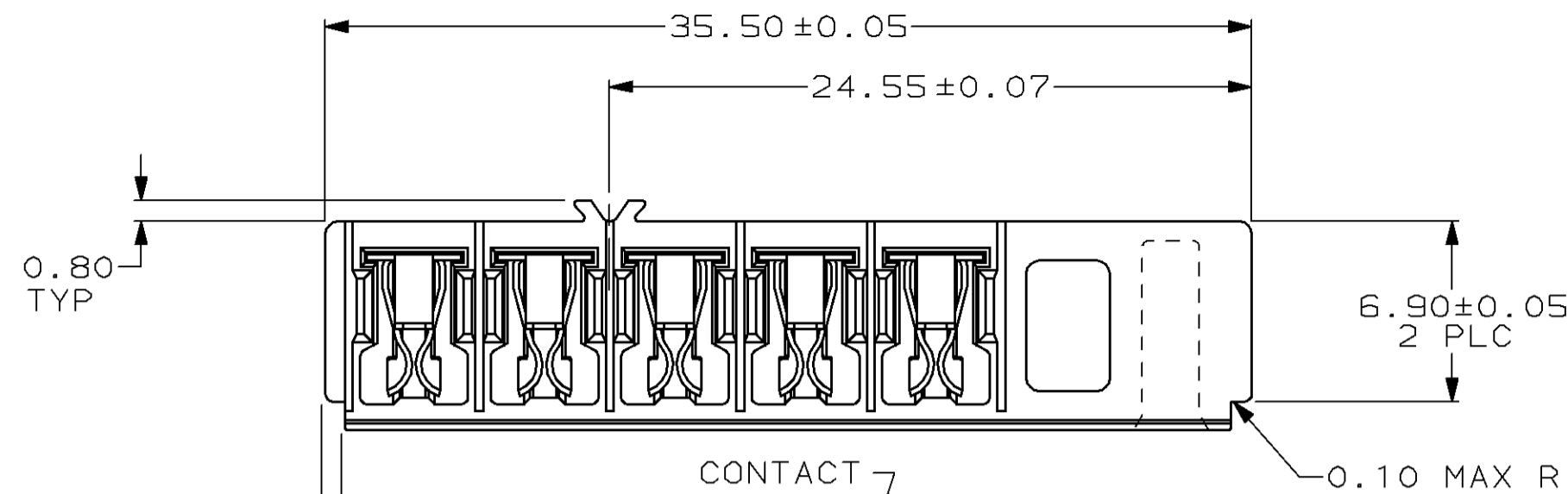
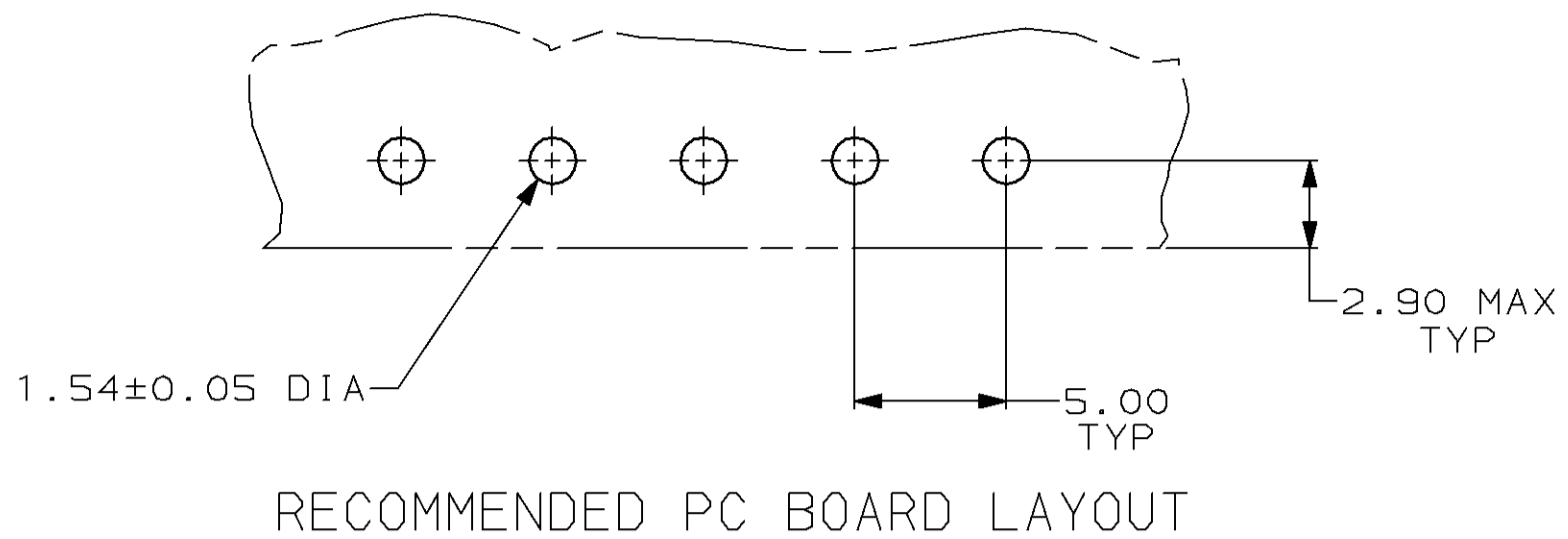
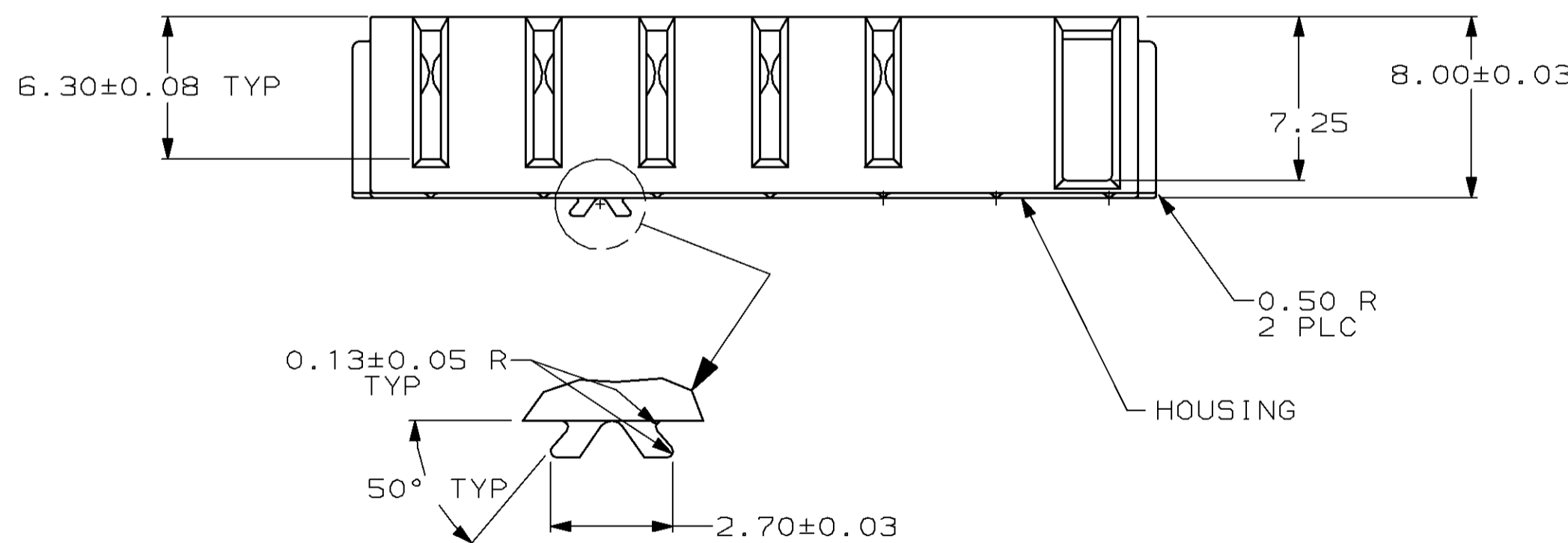


THIS DRAWING IS UNPUBLISHED. RELEASED FOR PUBLICATION
 BY AMP INCORPORATED. ALL RIGHTS RESERVED.

Loc		DIST		REVISIONS			
P	LTR	DESCRIPTION		DATE	DWN	APVD	
BD	39	0	RLSE NPR 5533 WAS 96-2258-1-1	24 MAY 96	-	-	



- ① HOUSING: POLYPHTHALAMIDE, BLACK.
CONTACT: PHOSPHOR BRONZE.
- ② CONTACT: 1.30µm MIN TIN-LEAD ON SOLDER TAIL OVER
1.90µm MIN NICKEL ON ENTIRE CONTACT.



THIS DRAWING IS A CONTROLLED DOCUMENT FOR AMP INCORPORATED. IT IS SUBJECT TO CHANGE AND THE CONTROLLING ENGINEERING ORGANIZATION SHOULD BE CONTACTED FOR THE LATEST REVISION.		DWN C. OBERMAN 24 MAY 96	AMP Incorporated Harrisburg, PA 17105-3608
DIMENSIONS: mm		CHK R. STONE 28 MAY 96	
TOLERANCES UNLESS OTHERWISE SPECIFIED:		APVD R. KLINE 29 MAY 96	NAME INSERT ASSEMBLY, 5 POSITION, DOVETAIL LOCATOR, WITH SOLDER TAIL, 5 mm ϕ , 10.8 VOLTS, BATTERY INTERCONNECT
0 PLC \pm		PRODUCT SPEC 108-1501	SIZE A2
1 PLC \pm		APPLICATION SPEC	CAGE CODE 00779
2 PLC ± 0.10		WEIGHT -	DRAWING NO C=787802
3 PLC \pm		CUSTOMER DRAWING	SCALE 4:1
4 PLC \pm			SHEET 1 OF 1
ANGLES $\pm 2^\circ$			REV 0
FINISH			

787802-1
PART NUMBER