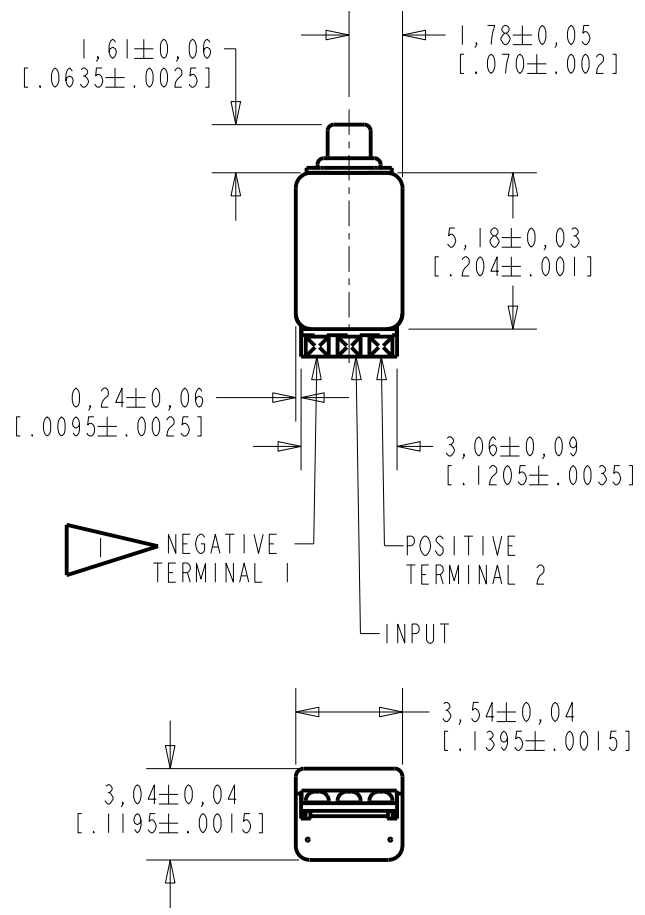
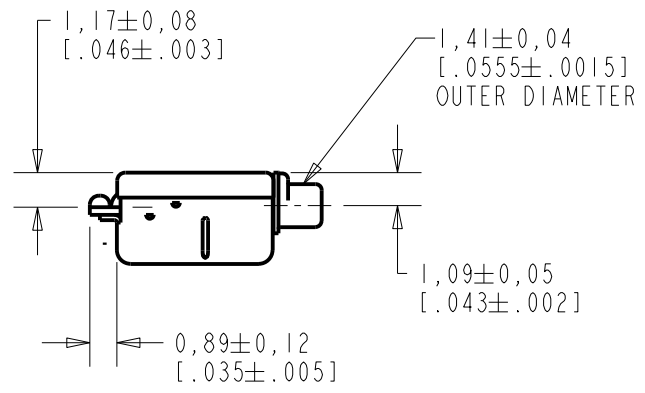


ES-23140-000

SHT 1.1



NOTE:
A POSITIVE GOING VOLTAGE AT THE INPUT TERMINAL CAUSES A DECREASE IN PRESSURE AT THE SOUND OUTLET.



SCALE 2:1

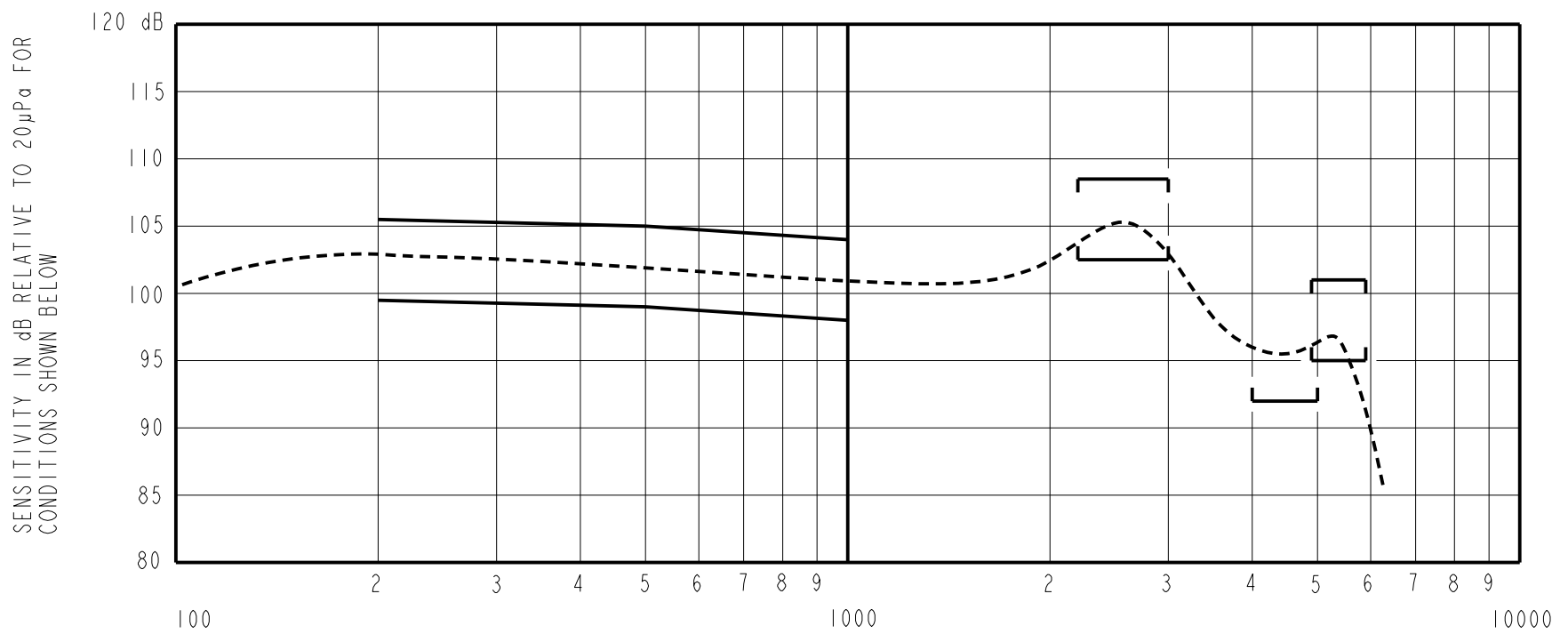
NOMINAL WEIGHT
.23 GRAMS

DIMENSIONS IN MILLIMETERS [INCHES]

| Revision | C.O. # | Implementation Date | RELEASE LEVEL | REVISION |
|----------|-----------|---------------------|---------------|----------|
| C | C10114036 | 11-13-12 | Active | C |
| B | C10105311 | 2-15-07 | | |
| A | C10103509 | 12-13-05 | | |

| | | | |
|----------------------|--|---------|----------|
| SCALE: 4:1 | | DR. BY | DATE |
| DO NOT SCALE DRAWING | | AB | 12-13-05 |
| TITLE: RECEIVER | | CK. BY | DATE |
| OUTLINE DRAWING | | GJP | 12-21-05 |
| ES-23140-000 | | APP. BY | DATE |
| SHT 1.1 | | GJP | 12-21-05 |

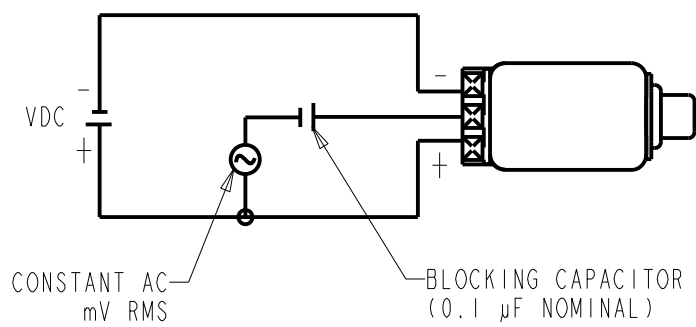
KNOWLES ELECTRONICS
ITASCA, ILLINOIS U.S.A.



NOTES:

FREQUENCY IN HERTZ

- MEASUREMENTS MADE USING 10mm (.394") OF 1mm (.039") ID TUBE CONNECTED TO A SIMULATED ANSI S3.7 TYPE HA-3 COUPLER. (IEC 60318-5)
- ELECTRICAL SIGNAL (SEE #5 BELOW).



3.

SENSITIVITY

| FREQUENCY | MIN. | MAX. |
|-----------|-------|-------|
| 200 | 99.5 | 105.5 |
| 500 | 99.0 | 105.0 |
| 1000 | 98.0 | 104.0 |
| 2200-3000 | 102.5 | 108.5 |
| 4000-5000 | 92.0 | --- |
| 4900-5900 | 95.0 | 101.0 |

- RESPONSE AND DISTORTION MEASUREMENTS MADE USING THE ELECTRICAL TEST CONDITIONS SHOWN BELOW.
- INDIVIDUAL SPECIFICATIONS.

| PORT LOCATION | MAX. DC SUPPLY CURRENT, mA | | DISTORTION | | ELECTRICAL TEST CONDITIONS | |
|---------------|----------------------------|----------|------------|---------|----------------------------|-----|
| | VDC= 1.3 | VDC= 1.5 | MAX. % | FREQ Hz | CONSTANT AC mV RMS | VDC |
| 12C | 0.375 | 0.575 | 5 | 800 | 25 | 1.3 |

| Revision | C.O. # | Implementation Date | RELEASE LEVEL | REVISION |
|----------|-----------|---------------------|---------------|----------|
| C | C10114036 | 11-13-12 | Active | C |
| B | C10105311 | 2-15-07 | | |
| A | C10103509 | 12-13-05 | | |

KNOWLES ELECTRONICS
ITASCA, ILLINOIS U.S.A.

WHEN TEST LIMITS ARE USED TO ESTABLISH INCOMING INSPECTION ACCEPTANCE/REJECTION CRITERIA, CORRELATION OF TEST EQUIPMENT WITH KNOWLES IS ALSO REQUIRED FOR ELIMINATION OF EQUIPMENT AND TEST METHOD VARIATION

TITLE: **RECEIVER**
PERFORMANCE SPECIFICATION

ES-23140-000
SHT 2.1

| DR. BY | DATE |
|---------|----------|
| AB | 12-13-05 |
| CK. BY | DATE |
| GJP | 12-21-05 |
| APP. BY | DATE |
| GJP | 12-21-05 |