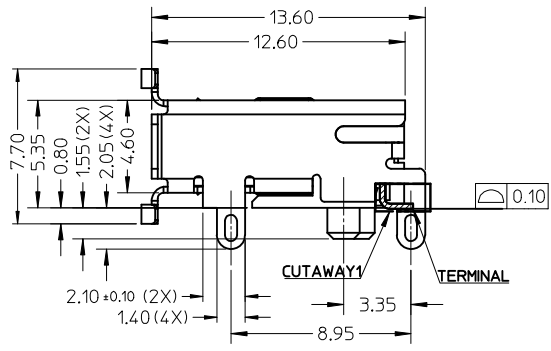
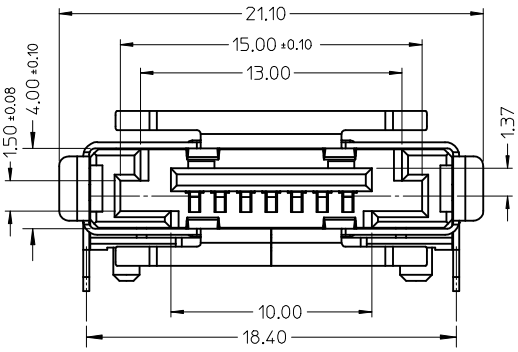


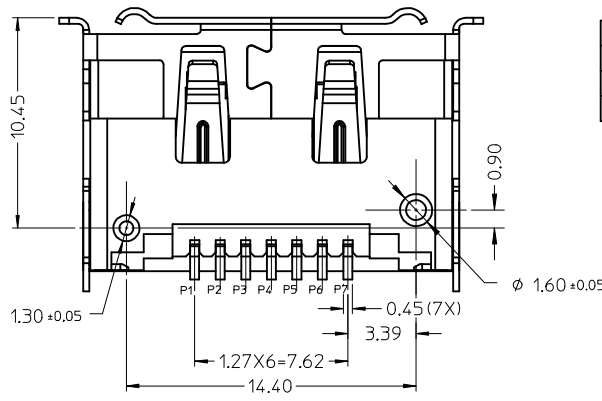
RECOMMEND PCB LAYOUT(CONNECTOR SIDE)
THICKNESS=1.30(ALL TOLERANCE: +/-0.05)

NOTES:

- MATERIAL:
HOUSING: PA6T,COLOR: BLACK, UL94V-0.
SHIELD CASE: COPPER ALLOY.
TERMIANL: COPPER ALLOY.
- PLATING:
SHIELD CASE: 100~200μ SOLDERABLE NICKEL OVER ALL.
TERMINAL: CONTACT AREA GOLD PLATING(SEE CHART) AND SOLDER TAIL 50~100μ TIN ALLOY PLATING OVER 50μ MIN. NICKEL.
- PRODUCT SPEC REFER TO PS-47082-001.
- PACKAGE SPEC REFER TO PK-47379-001.
- PRODUCT MEET STANDARD 1.0 REVISION OF THE SERIAL ATA II: CABLE AND CONNECTOR VOL 2 SPECIFICATION.
- PRODUCT COMPLIANT TO RoHS 2002/95/EC AND ELV 2000/53/EC.



47391-2000	TERMINAL CONTACT AREA PLATED 30μ GOLD
47391-1000	TERMINAL CONTACT AREA PLATED 15μ GOLD
47391-0000	TERMINAL CONTACT AREA PLATED GOLD FLASH
PART NO.	DESCRIPTION



REVISED	EC NO:	2007/04/30
	DRW:GLLI	2007/05/04
	CHKD:	2007/05/04
	APPR: JINCHEN	2007/05/09
REV	DESCRIPTION	

QUALITY SYMBOLS	▽=0	
	∇=0	
GENERAL TOLERANCES (UNLESS SPECIFIED)	mm	INCH
	4 PLACES	± --- ± ---
	3 PLACES	± --- ± ---
	2 PLACES	± 0.2 ± ---
	1 PLACE	± 0.25 ± ---
ANGULAR ± 3 °		
DRAFT WHERE APPLICABLE MUST REMAIN WITHIN DIMENSIONS		

DIMENSION STYLE		SCALE	DESIGN UNITS	THIRD ANGLE PROJECTION
MM ONLY		4:1	METRIC	
DRAWN BY	DATE	TITLE		
DIXON LI	2006/11/16	EXTERNAL SATA PLUG SMT WITH SHELL BOTTOM MOUNT TYPE		
CHECKED BY	DATE	MOLEX INCORPORATED		
JENNY ZENG	2006/11/16	SD-47391-100		
APPROVED BY	DATE	SHEET NO.		
GRATE MA	2006/11/16	1 OF 1		
MATERIAL NO.	DOCUMENT NO.			
SEE CHART				