



AMP★EXTRACTION TOOL 91092-1
FOR AMP FLEXIBLE FLAT CABLE (FFC)
ROUND WIRE PIN CONTACTS

IS 7645	
RELEASED	11-16-73
REVISED	

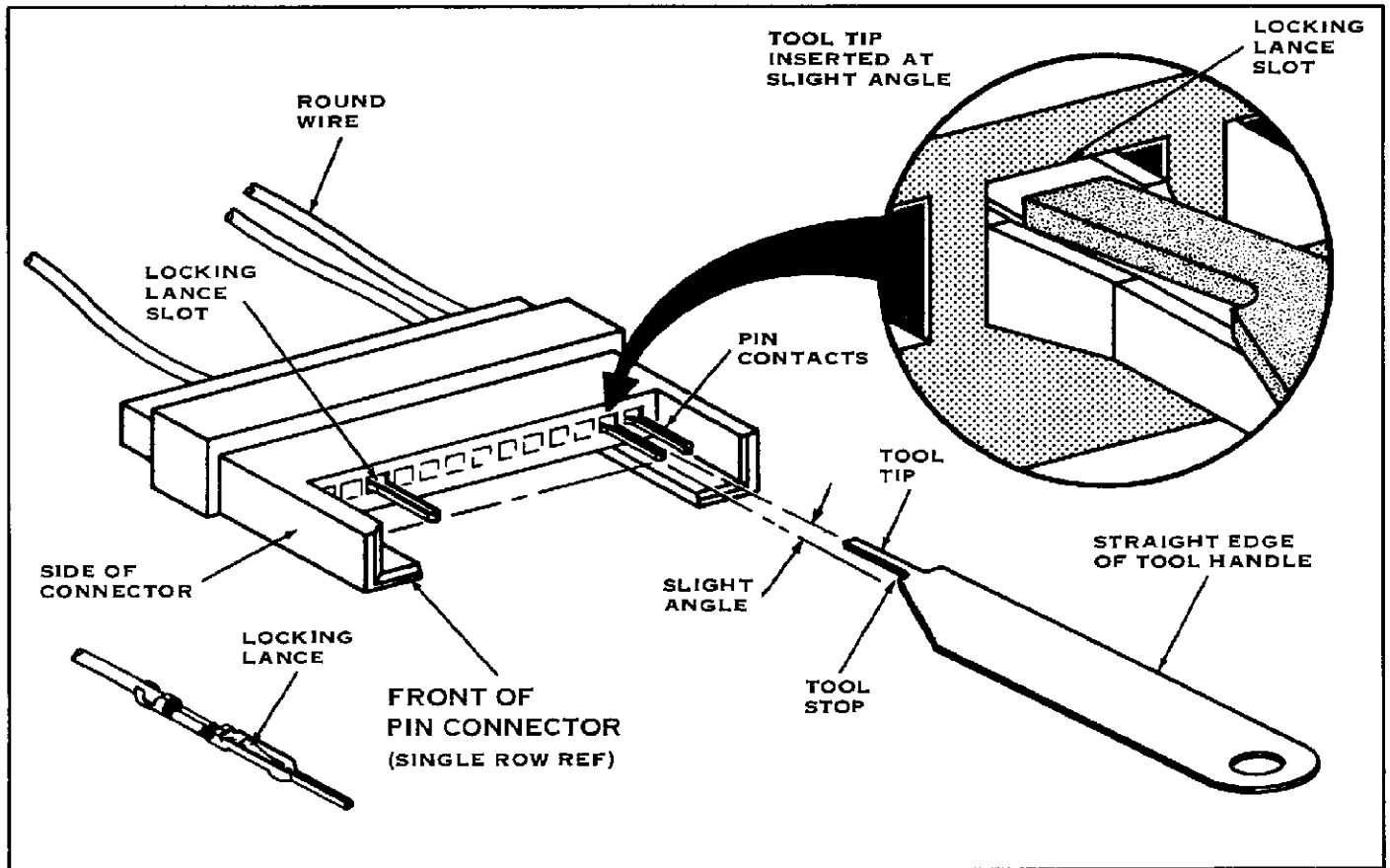


FIGURE 1

1. INTRODUCTION

The AMP Extraction Tool 91092-1 is designed to remove individual AMP FFC pin contacts — crimped to round wire — from AMP FFC pin connectors. Read these instructions thoroughly before starting.

NOTE

All dimensions presented on this instruction sheet are in inches, unless otherwise stated.

2. DESCRIPTION

The tool tip is designed to enter the locking lance slot and depress the contact locking lance. The tool stop is designed to prevent contact damage from overinsertion of the tool. See Figure 1. The tool handle has the tool number marked on it. See Figure 2.

NOTE

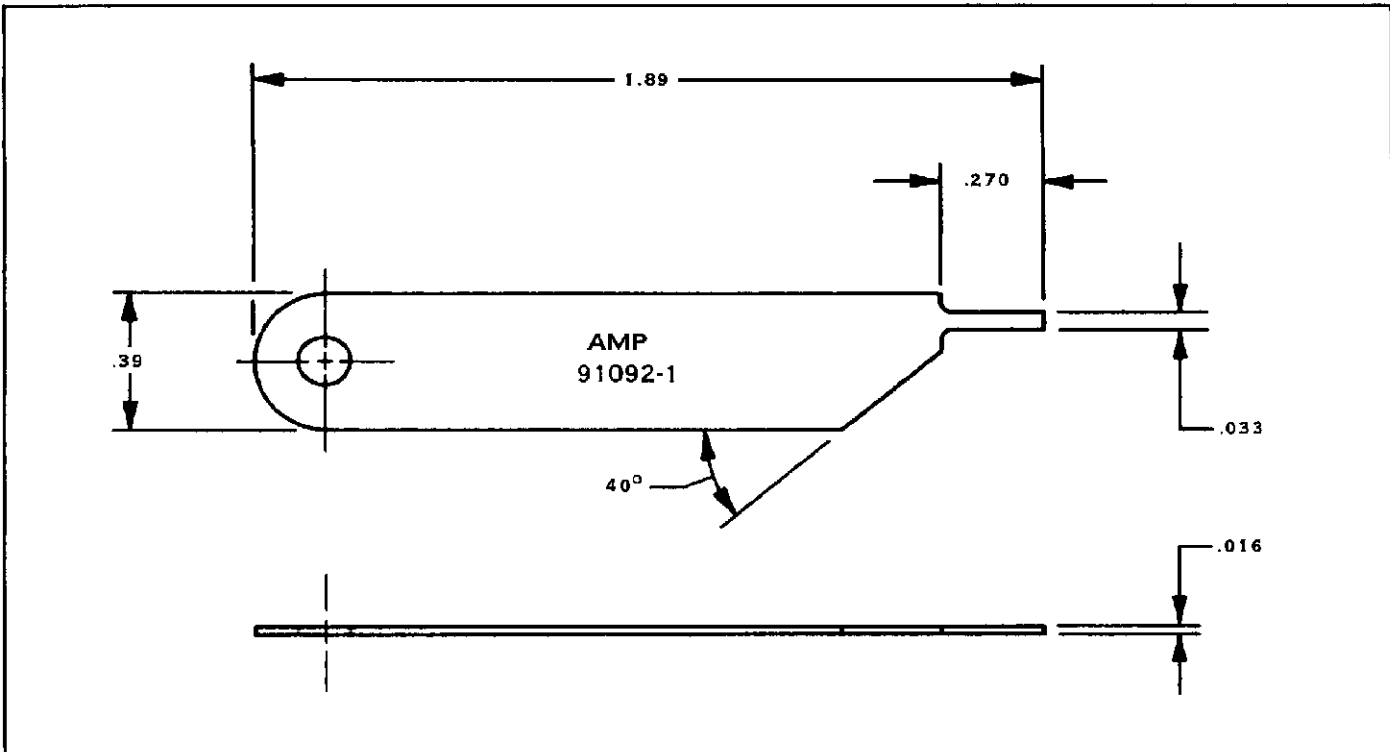
When extracting contacts near either end of the row, be sure the straight edge of the tool handle is toward the side of the connector, as shown in Figure 1.

3. EXTRACTION PROCEDURE

Remove the contact as follows:

1. Align the tool tip with the applicable locking lance slot — located between the open side of the contact and the cavity wall — as shown in Figure 1.
2. Insert the tool tip into the locking lance slot — at a slight angle — until it bottoms.
3. Grip the wire of the contact to be removed, and pull the contact part way out of the connector.
4. Remove the tool, and pull the contact out of the connector.

© Copyright 1973 by AMP Incorporated, Harrisburg, Pa. All International Rights Reserved. AMP Incorporated products covered by U.S. and Foreign patents and/or patents pending.



TOOL NUMBER	PRODUCT DESIGNED FOR	ENGINEERING APPROVAL	DATE
91092-1	AMP FFC Round Wire Pin Contacts	<i>Shall</i>	11/16/73

FIGURE 2

4. TOOL CERTIFICATION

The extraction tool listed on this instruction sheet should be certified with the information provided in Figure 2. We recommend that you inspect the tool immediately upon arrival in your factory, and at regularly scheduled intervals, to assure that the tool has not been damaged during handling.

Additional tools can be purchased from:

AMP Incorporated
 Eisenhower Boulevard
 Harrisburg, Pennsylvania 17105