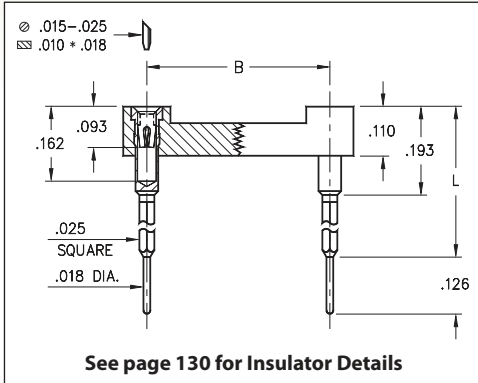
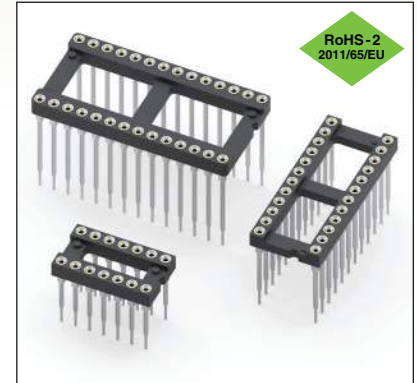


# DUAL-IN-LINE SOCKETS

## SERIES 126 • PLUGGABLE WRAPPOST • OPEN FRAME



- Combines one through three level wrappost with pluggable solder tails
- Suitable for use as an interconnect socket with intermediate wire wrapped connections
- Hi-Rel, 4-finger BeCu #30 contact is rated at 3 amps. See page 253 for details
- Series 126 uses MM #2601, #2602 and #2603 pins. See page 199 for details
- Insulators are high temperature thermoplastic, suitable for all soldering operations
- For Electrical, Mechanical and Environmental Data, see page 264 for details



Total number of pins				Quantity per tube	ORDERING INFORMATION				
	A	B	C		L = .425 (1 Level Wrappost = .232)	L = .543 (2 Level Wrappost = .350)	L = .661 (3 Level Wrappost = .469)		
10	0.5	0.2	0.3	40	126-XX-210-41-001000	126-XX-210-41-002000	126-XX-210-41-003000		
4	0.2	0.3	0.4	102	126-XX-304-41-001000	126-XX-304-41-002000	126-XX-304-41-003000		
6	0.3	0.3	0.4	67	126-XX-306-41-001000	126-XX-306-41-002000	126-XX-306-41-003000		
8	0.4	0.3	0.4	50	126-XX-308-41-001000	126-XX-308-41-002000	126-XX-308-41-003000		
10	0.5	0.3	0.4	40	126-XX-310-41-001000	126-XX-310-41-002000	126-XX-310-41-003000		
14	0.7	0.3	0.4	28	126-XX-314-41-001000	126-XX-314-41-002000	126-XX-314-41-003000		
16	0.8	0.3	0.4	25	126-XX-316-41-001000	126-XX-316-41-002000	126-XX-316-41-003000		
18	0.9	0.3	0.4	22	126-XX-318-41-001000	126-XX-318-41-002000	126-XX-318-41-003000		
20	1.0	0.3	0.4	20	126-XX-320-41-001000	126-XX-320-41-002000	126-XX-320-41-003000		
22	1.1	0.3	0.4	18	126-XX-322-41-001000	126-XX-322-41-002000	126-XX-322-41-003000		
24	1.2	0.3	0.4	16	126-XX-324-41-001000	126-XX-324-41-002000	126-XX-324-41-003000		
28	1.4	0.3	0.4	14	126-XX-328-41-001000	126-XX-328-41-002000	126-XX-328-41-003000		
20	1.0	0.4	0.5	20	126-XX-420-41-001000	126-XX-420-41-002000	126-XX-420-41-003000		
22	1.1	0.4	0.5	18	126-XX-422-41-001000	126-XX-422-41-002000	126-XX-422-41-003000		
24	1.2	0.4	0.5	16	126-XX-424-41-001000	126-XX-424-41-002000	126-XX-424-41-003000		
28	1.4	0.4	0.5	14	126-XX-428-41-001000	126-XX-428-41-002000	126-XX-428-41-003000		
32	1.6	0.4	0.5	12	126-XX-432-41-001000	126-XX-432-41-002000	126-XX-432-41-003000		
24	1.2	0.6	0.7	16	126-XX-624-41-001000	126-XX-624-41-002000	126-XX-624-41-003000		
28	1.4	0.6	0.7	14	126-XX-628-41-001000	126-XX-628-41-002000	126-XX-628-41-003000		
32	1.6	0.6	0.7	12	126-XX-632-41-001000	126-XX-632-41-002000	126-XX-632-41-003000		
36	1.8	0.6	0.7	11	126-XX-636-41-001000	126-XX-636-41-002000	126-XX-636-41-003000		
40	2.0	0.6	0.7	10	126-XX-640-41-001000	126-XX-640-41-002000	126-XX-640-41-003000		
42	2.1	0.6	0.7	9	126-XX-642-41-001000	126-XX-642-41-002000	126-XX-642-41-003000		
48	2.4	0.6	0.7	8	126-XX-648-41-001000	126-XX-648-41-002000	126-XX-648-41-003000		
50	2.5	0.6	0.7	8	126-XX-650-41-001000	126-XX-650-41-002000	126-XX-650-41-003000		
52	2.6	0.6	0.7	7	126-XX-652-41-001000	126-XX-652-41-002000	126-XX-652-41-003000		
50	2.5	0.9	1.0	8	126-XX-950-41-001000	126-XX-950-41-002000	126-XX-950-41-003000		
52	2.6	0.9	1.0	7	126-XX-952-41-001000	126-XX-952-41-002000	126-XX-952-41-003000		
64	3.2	0.9	1.0	6	126-XX-964-41-001000	126-XX-964-41-002000	126-XX-964-41-003000		
SPECIFY PLATING CODE XX =					91	93	41	43	
Sleeve (Pin)					200 μ" Sn/Pb	200 μ" Sn/Pb	200 μ" Sn	200 μ" Sn	
Contact (Clip)					10 μ" Au	30 μ" Au	10 μ" Au	30 μ" Au	

