

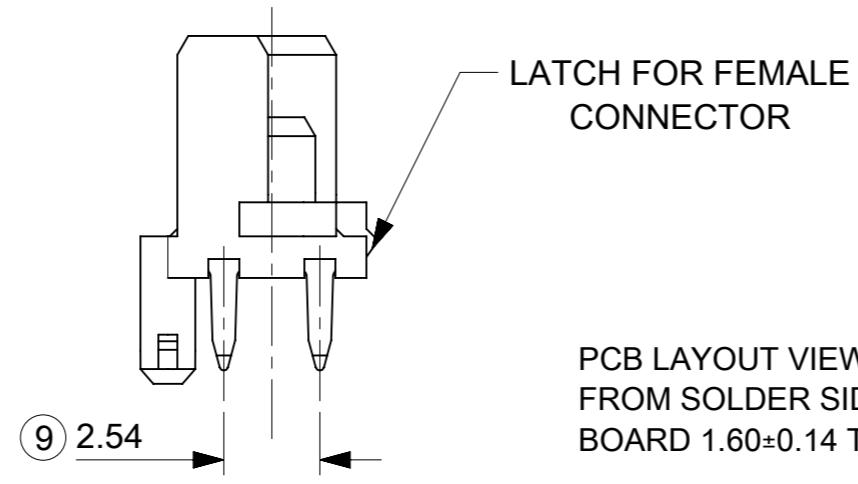
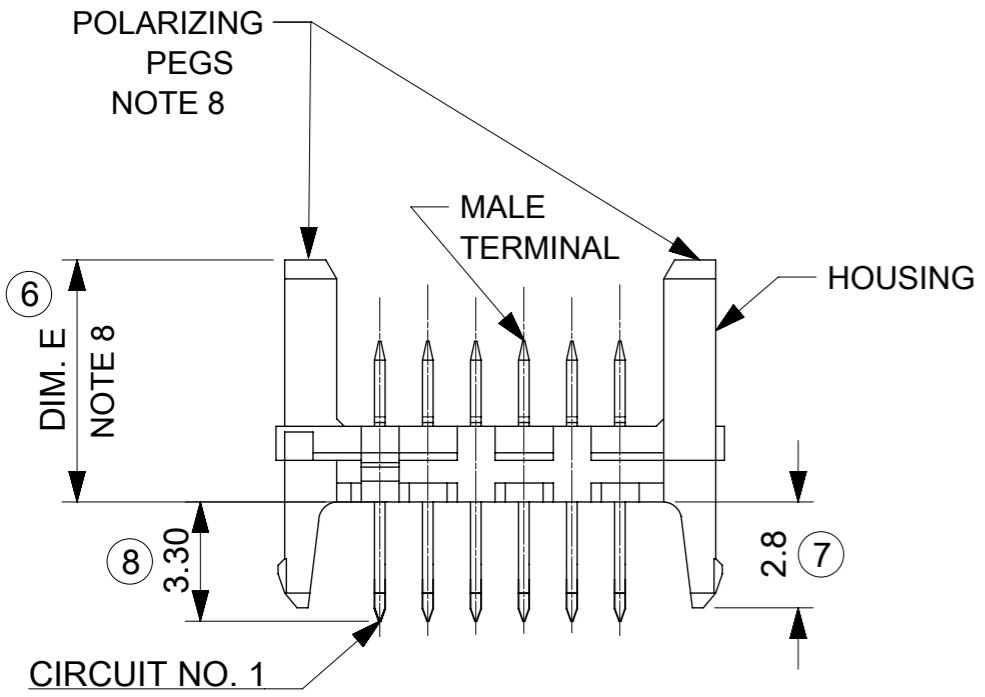
MOULD BASE COLOUR: NATURAL

90779 -\*\*13

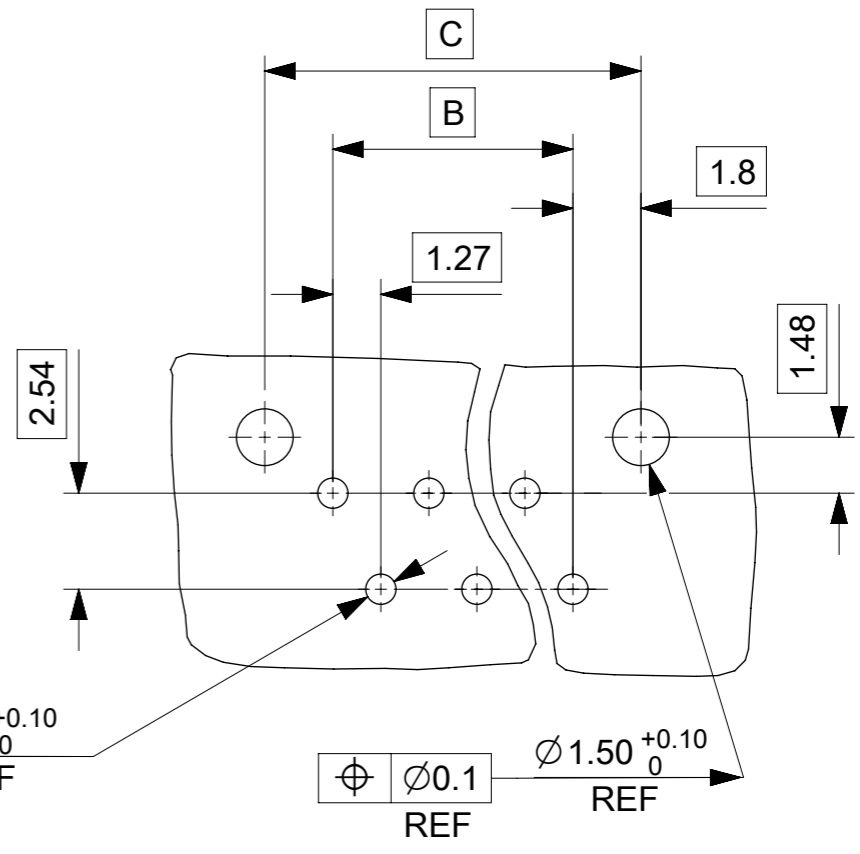
CIRCUIT SIZE 04 CCT TO 26 CCT  
-SEE ABOVE TABLE FOR PART CODE  
0 - STANDARD  
9 - SHORT VERSION

0 = 4-6µm TIN ASSY  
3 = 0.76µm GOLD ASSY  
7 = 0.76µm GOLD ASSY, TUBED  
9 = 4-6µm TIN ASSY TUBED

90779-**13	26	36.80	31.75	35.35	37.26
90779-**12	24	34.26	29.21	32.81	34.72
90779-**11	22	31.72	26.67	30.27	32.18
90779-**10	20	29.18	24.13	27.73	29.64
90779-**08	18	26.64	21.59	25.19	27.10
90779-**07	16	24.10	19.05	22.65	24.56
90779-**06	14	21.56	16.51	20.11	22.02
90779-**05	12	19.02	13.97	17.57	19.48
90779-**04	10	16.48	11.43	15.03	16.94
90779-**03	8	13.94	8.89	12.49	14.40
90779-**02	6	11.40	6.35	9.95	11.86
90779-**01	4	8.86	3.81	7.41	9.32
PART NO.	NO. OF CCTS	DIM. A	DIM. B	DIM. C	DIM. D



PCB LAYOUT VIEWED FROM SOLDER SIDE.  
BOARD 1.60±0.14 THK



- NOTES:**
- HOUSING. NYLON 46, GLASS FILLED UL 94 V-0, NATURAL (WHITE).
  - TERMINAL: BRASS  
PLATING TIN: 1.27 MICROMETRE MIN. NICKEL UNDER 4-6 MICROMETRE TIN  
PLATING GOLD : UNDERPLATED 1.27µm MIN NICKEL 3-5µm TIN SELECTIVE  
0.76µm MIN. SELECTIVE GOLD
  - APPLICATION CLASS TO DIN 40040 HME (-25°C/+100°C)
  - PIN PUSH FORCE 7N
  - TEST VOLTAGE: 750V.A.C./1 MIN
  - COMPATIBLE WITH MOLEX PART 90327
  - PRODUCT SPECIFICATION: PS-99020-0011
  - POLARISING PEG AVAILABLE IN 2 OPTIONS  
DIM E: STANDARD 6.40mm  
DIM E: SHORT VERSION 4.10mm
  - PACKAGING SPECIFICATION: PK-90325-002

LAST INSPECTION NUMBER USED: 9

FUNCTIONAL SYMBOLS	THIS DRAWING CONTAINS INFORMATION THAT IS PROPRIETARY TO MOLEX ELECTRONIC TECHNOLOGIES, LLC AND SHOULD NOT BE USED WITHOUT WRITTEN PERMISSION		CURRENT REV DESC: CAD MIGRATION	
▽A = 0	mm	SCALE	5:1	
▽E = 0	GENERAL TOLERANCES (UNLESS SPECIFIED)			
▽F = 0	ANGULAR TOL ± °			
DIVISIONAL SYMBOLS	4 PLACES	±	EC NO: 738955	
	3 PLACES	± 0.2	DRWN: GOWTHP	2023/02/02
	2 PLACES	± 0.2	CHK'D: GOWTHP	2023/02/16
	1 PLACE	±	APPR: ISHWARG	2023/02/20
	0 PLACES	±	INITIAL REVISION:	
	DRAFT WHERE APPLICABLE MUST REMAIN WITHIN DIMENSIONS		DRWN: BGB	1992/08/21
	THIRD ANGLE PROJECTION		APPR: JDENNEHY	2004/12/03
	DRAWING	SERIES	MATERIAL NUMBER	CUSTOMER
	A3-SIZE	90779	SEE CHART	GENERAL MARKET
	DOCUMENT NUMBER		DOC TYPE	DOC PART
	SDA-90779		PSD	001
	SHEET NUMBER		REVISION	
	1 OF 1		T2	