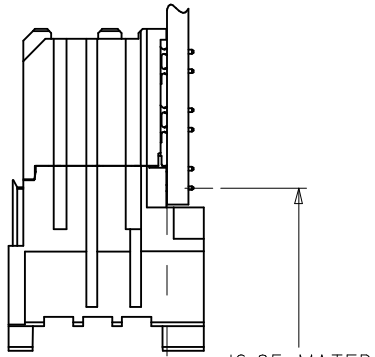
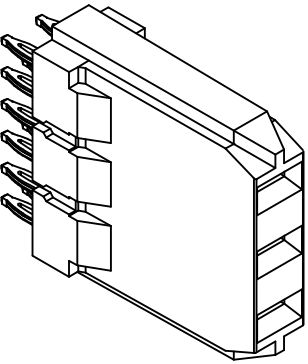
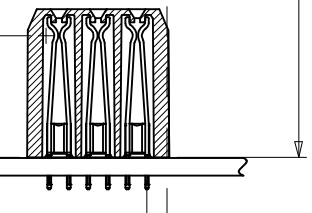


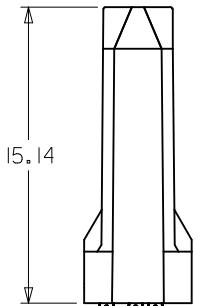
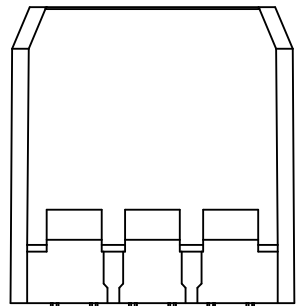
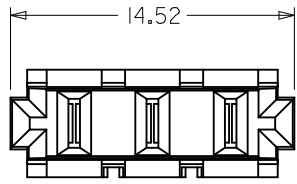
10 9 8 7 6 5 4 3 2 1



12.44 MAX.
NOTE 7
REF.



2.05



1.14
2.64
3.64
5.50

SEE NOTE 6

SEE NOTE 9 & CHART

NOTES:

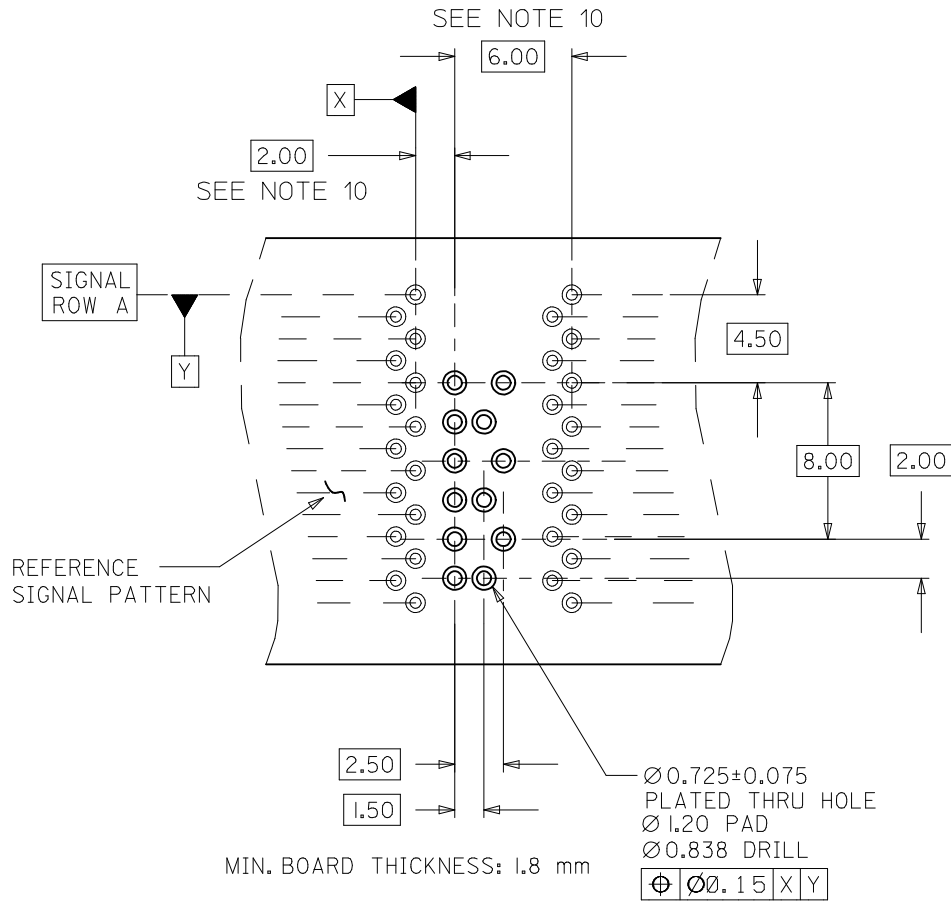
- MATERIALS:
HOUSING - LIQUID CRYSTAL POLYMER (LCP)
UL94 V-0 RATED, COLOR: BLACK
TERMINAL - COPPER ALLOY
- FINISH: 30 MICROINCH MINIMUM GOLD ON MATING SURFACE;
MATTE TIN (Sn) ON TAILS; NICKEL OVERALL.
- FINISH: 50 MICROINCH MINIMUM GOLD ON MATING SURFACE;
MATTE TIN (Sn) ON TAILS; NICKEL OVERALL.
- FINISH: 50 MICROINCH MINIMUM GOLD ON MATING SURFACE;
TIN / LEAD (Sn/Pb) ON TAILS; NICKEL OVERALL.
- THIS PART CONFORMS TO PRODUCT SPECIFICATION
PS-74031-999.
- USE 6.00 mm NOMINAL FOR BACKPLANE LAYOUT.
- DIMENSION MEASURED FROM BOTTOM OF HOUSING.
- PACKED PER PK-70873-0876.
- CONTACT NOT PRESENT AT POSITION ON -84** ASSEMBLIES.
- THIS DIMENSION TO BE MULTIPLE OF 2.00 mm AS REQUIRED.

TIN / LEAD PLATING				MATTE TIN PLATING			
ASSEMBLY #	CONTACT PLATING	OPEN LOC.	# CONTACTS	ASSEMBLY #	CONTACT PLATING	OPEN LOC.	# CONTACTS
74029-8950	SEE NOTE 4	N/A	3	74029-8000	SEE NOTE 2	N/A	3
				74029-8050	SEE NOTE 3	N/A	
				74029-8400	SEE NOTE 2	POS. 2	2
				74029-8450	SEE NOTE 3	POS. 2	
				74029-8401	SEE NOTE 2	POS. 1	
				74029-8451	SEE NOTE 3	POS. 1	
				74029-8403	SEE NOTE 2	POS. 3	
				74029-8453	SEE NOTE 3	POS. 3	

ADD LEADED P/N EC NO: UCP2013-0146 DRW: S/MANG01 2012/07/16 CHKD: MOLF 2012/07/16 APPR: SMILLER 2012/08/06 K	QUALITY SYMBOLS ▽=0 ▽=0 ▽=0	GENERAL TOLERANCES (UNLESS SPECIFIED)	DIMENSION STYLE MM ONLY	SCALE 4:1	DESIGN UNITS METRIC	THIRD ANGLE PROJECTION	
		4 PLACES ± --- ± --- 3 PLACES ± --- ± --- 2 PLACES ± 0.25 ± --- 1 PLACE ± 0.38 ± --- 0 PLACE ± ±	DRAWN BY TELO DATE 98/10/19 CHECKED BY DBREARLEY DATE 98/10/21 APPROVED BY SMILLER DATE 2012/01/20	TITLE VHDM 8 ROW POWER BACKPLANE SALES DRAWING	MATERIAL NO. SEE TABLE	DOCUMENT NO. SD-74029-002	SHEET NO. 1 OF 2
		ANGULAR ± 1/2° DRAFT WHERE APPLICABLE MUST REMAIN WITHIN DIMENSIONS		THIS DRAWING CONTAINS INFORMATION THAT IS PROPRIETARY TO MOLEX INCORPORATED AND SHOULD NOT BE USED WITHOUT WRITTEN PERMISSION			

9 8 7 6 5 4 3 2 1

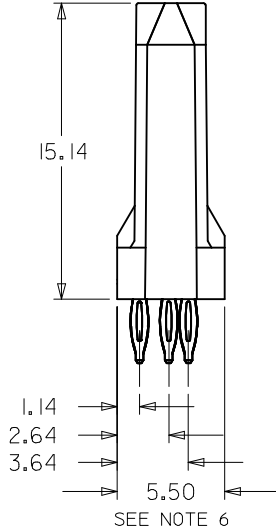
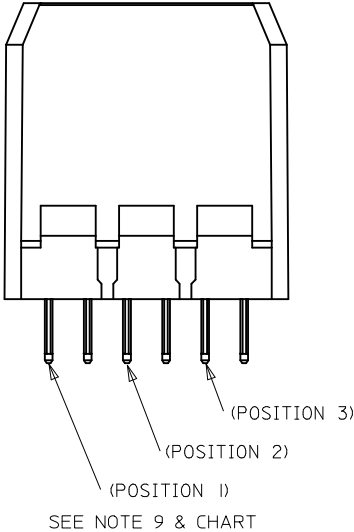
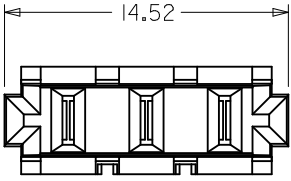
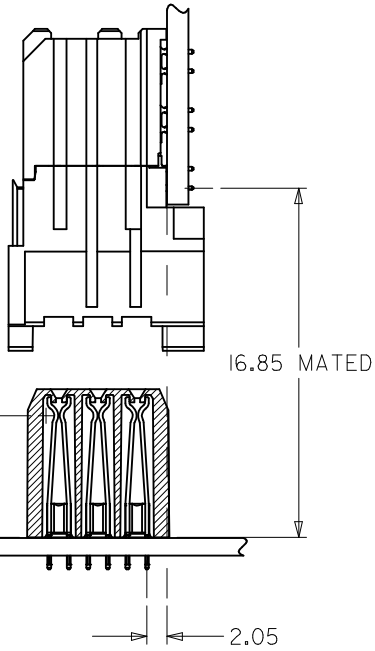
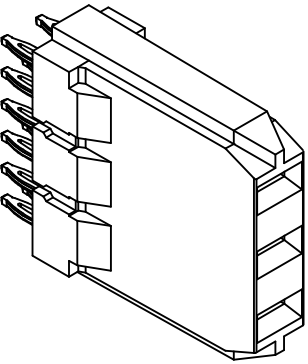
10 9 8 7 6 5 4 3 2 1



SEE SHEET 1 EC NO: UCP2013-0146 DRWN: SVANG01 2012/07/16 CHKD: MWOLFE 2012/07/16 APPR: SMILLER 2012/08/06	QUALITY SYMBOLS ▽/0 ▽/0 ▽/0	GENERAL TOLERANCES (UNLESS SPECIFIED)		DIMENSION STYLE MM ONLY		SCALE 4:1	DESIGN UNITS METRIC	THIRD ANGLE PROJECTION		
		mm INCH		DRAWN BY TELO	DATE 98/10/19	TITLE VHDM 8 ROW POWER BACKPLANE SALES DRAWING				
		4 PLACES ± --- ± --- 3 PLACES ± --- ± --- 2 PLACES ± 0.25 ± --- 1 PLACE ± 0.38 ± --- 0 PLACE ± ±		CHECKED BY DBREARLEY	DATE 98/10/21					
		ANGULAR ±1/2°		APPROVED BY SMILLER	DATE 2012/01/20	MATERIAL NO. SEE TABLE		DOCUMENT NO. SD-74029-002	SHEET NO. 2 OF 2	
DRAFT WHERE APPLICABLE MUST REMAIN WITHIN DIMENSIONS		SIZE B		THIS DRAWING CONTAINS INFORMATION THAT IS PROPRIETARY TO MOLEX INCORPORATED AND SHOULD NOT BE USED WITHOUT WRITTEN PERMISSION						

9 8 7 6 5 4 3 2 1

10 9 8 7 6 5 4 3 2 1



NOTES:

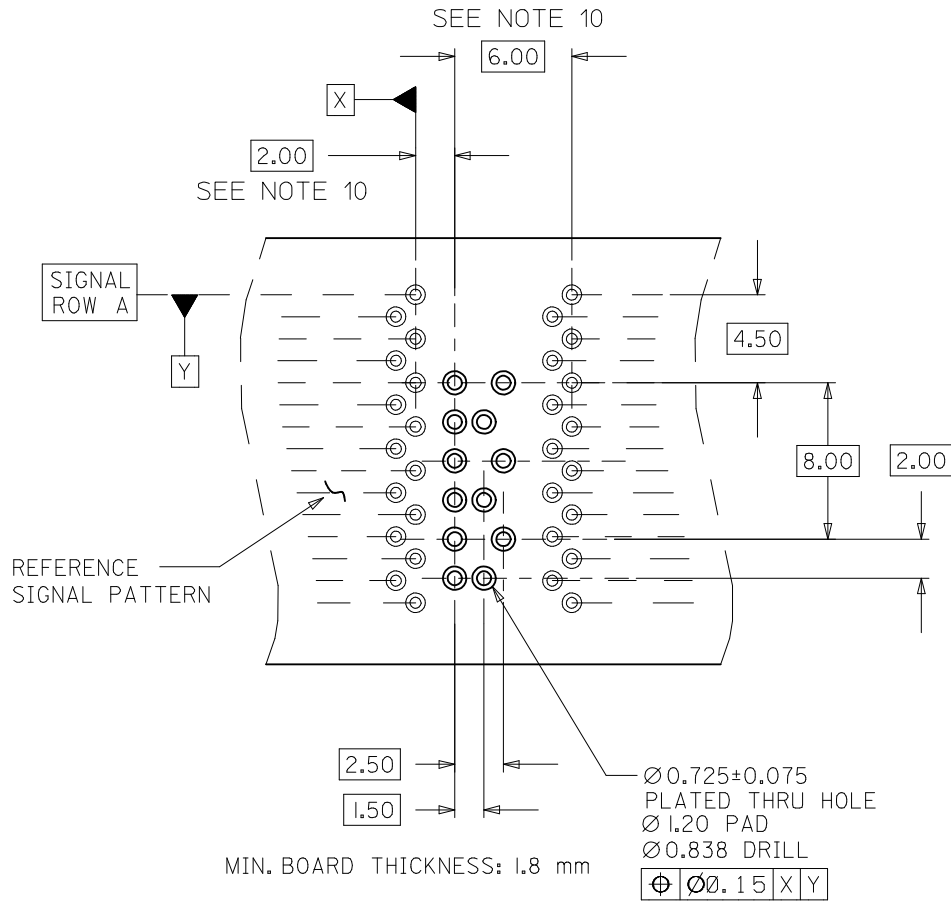
1. MATERIALS:
 HOUSING - LIQUID CRYSTAL POLYMER (LCP)
 UL94 V-0 RATED, COLOR: BLACK
 TERMINAL - COPPER ALLOY
2. FINISH: 30 MICROINCH MINIMUM GOLD ON MATING SURFACE;
 MATTE TIN (Sn) ON TAILS; NICKEL OVERALL.
3. FINISH: 50 MICROINCH MINIMUM GOLD ON MATING SURFACE;
 MATTE TIN (Sn) ON TAILS; NICKEL OVERALL.
4. FINISH: 50 MICROINCH MINIMUM GOLD ON MATING SURFACE;
 TIN / LEAD (Sn/Pb) ON TAILS; NICKEL OVERALL.
5. THIS PART CONFORMS TO PRODUCT SPECIFICATION
 PS-74031-999.
6. USE 6.00 mm NOMINAL FOR BACKPLANE LAYOUT.
7. DIMENSION MEASURED FROM BOTTOM OF HOUSING.
8. PACKED PER PK-70873-0876.
9. CONTACT NOT PRESENT AT POSITION ON -84** ASSEMBLIES.
10. THIS DIMENSION TO BE MULTIPLE OF 2.00 mm AS REQUIRED.

TIN / LEAD PLATING				MATTE TIN PLATING			
ASSEMBLY #	CONTACT PLATING	OPEN LOC.	# CONTACTS	ASSEMBLY #	CONTACT PLATING	OPEN LOC.	# CONTACTS
74029-8950	SEE NOTE 4	N/A	3	74029-8000	SEE NOTE 2	N/A	3
				74029-8050	SEE NOTE 3	N/A	
				74029-8400	SEE NOTE 2	POS. 2	2
				74029-8450	SEE NOTE 3	POS. 2	
				74029-8401	SEE NOTE 2	POS. 1	
				74029-8451	SEE NOTE 3	POS. 1	
				74029-8403	SEE NOTE 2	POS. 3	
				74029-8453	SEE NOTE 3	POS. 3	

ADD LEADED P/N EC NO: UCP2013-0146 DRW: S/MANG01 2012/07/16 CHKD: MOLF 2012/07/16 APPR: SMILLER 2012/08/06	QUALITY SYMBOLS ▽=0 ▽=0 ▽=0	GENERAL TOLERANCES (UNLESS SPECIFIED)		DIMENSION STYLE MM ONLY		SCALE 4:1	DESIGN UNITS METRIC	THIRD ANGLE PROJECTION		
						DRAWN BY TELO	DATE 98/10/19	VHM 8 ROW POWER BACKPLANE SALES DRAWING molex SD-74029-002 SHEET NO. 1 OF 2		
						CHECKED BY DBREARLEY	DATE 98/10/21			
						APPROVED BY SMILLER	DATE 2012/01/20			
				MATERIAL NO. SEE TABLE	DOCUMENT NO. SD-74029-002					
		ANGULAR ±1/2° DRAFT WHERE APPLICABLE MUST REMAIN WITHIN DIMENSIONS		SIZE B		THIS DRAWING CONTAINS INFORMATION THAT IS PROPRIETARY TO MOLEX INCORPORATED AND SHOULD NOT BE USED WITHOUT WRITTEN PERMISSION				

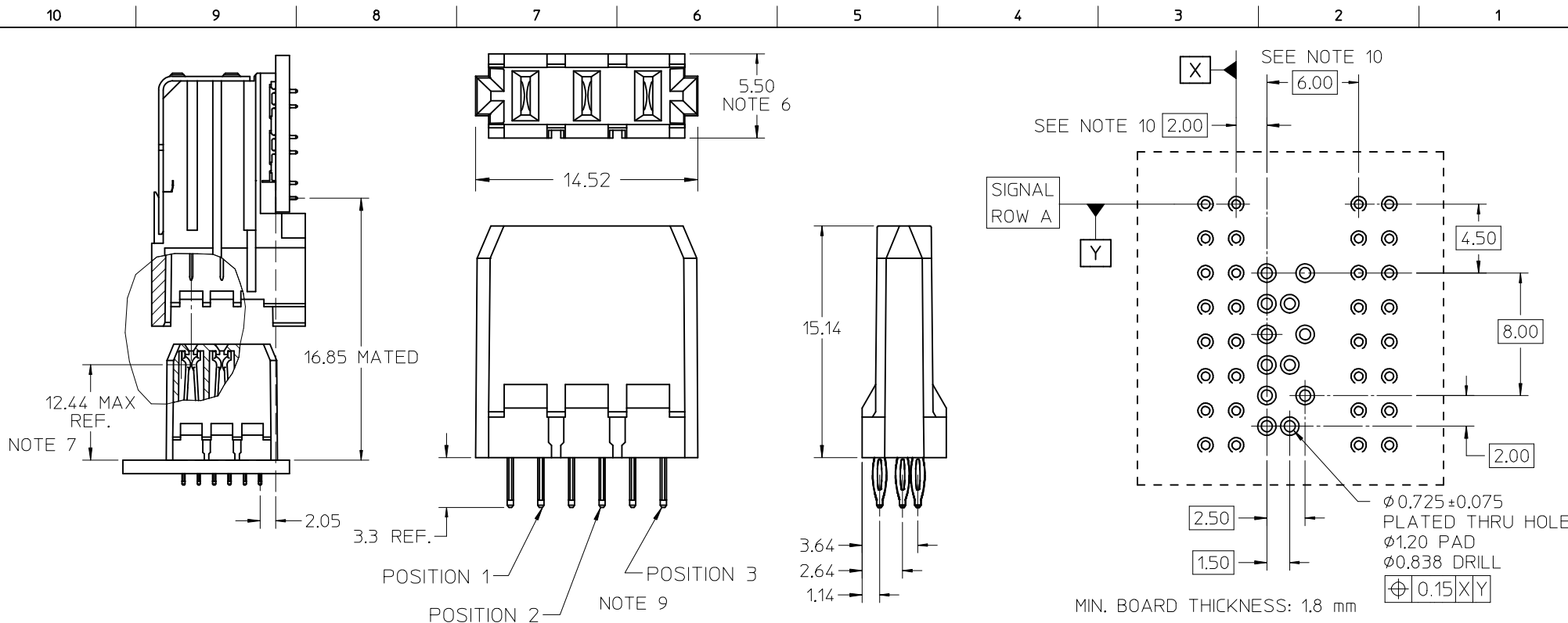
9 8 7 6 5 4 3 2 1

10 9 8 7 6 5 4 3 2 1



SEE SHEET 1 EC NO: UCP2013-0146 DRWN: SYANG01 2012/07/16 CHKD: MWOLFE 2012/07/16 APPR: SMILLER 2012/08/06	QUALITY SYMBOLS $\nabla F/0$ $\nabla F/0$ $\nabla F/0$	GENERAL TOLERANCES (UNLESS SPECIFIED)		DIMENSION STYLE		SCALE	DESIGN UNITS	THIRD ANGLE PROJECTION			
				MM ONLY		4:1	METRIC				
				mm	INCH	DRAWN BY	DATE	TITLE			
				4 PLACES ± --- ± --- 3 PLACES ± --- ± --- 2 PLACES ± 0.25 ± --- 1 PLACE ± 0.38 ± --- 0 PLACE ± ±		TELO	98/10/19	VHDM 8 ROW POWER BACKPLANE SALES DRAWING molex			
		ANGULAR ± 1/2°		DBREARLEY	98/10/21	DOCUMENT NO.					
		DRAFT WHERE APPLICABLE MUST REMAIN WITHIN DIMENSIONS		SEE TABLE		SD-74029-002		2 OF 2			
				MATERIAL NO.				THIS DRAWING CONTAINS INFORMATION THAT IS PROPRIETARY TO MOLEX INCORPORATED AND SHOULD NOT BE USED WITHOUT WRITTEN PERMISSION			

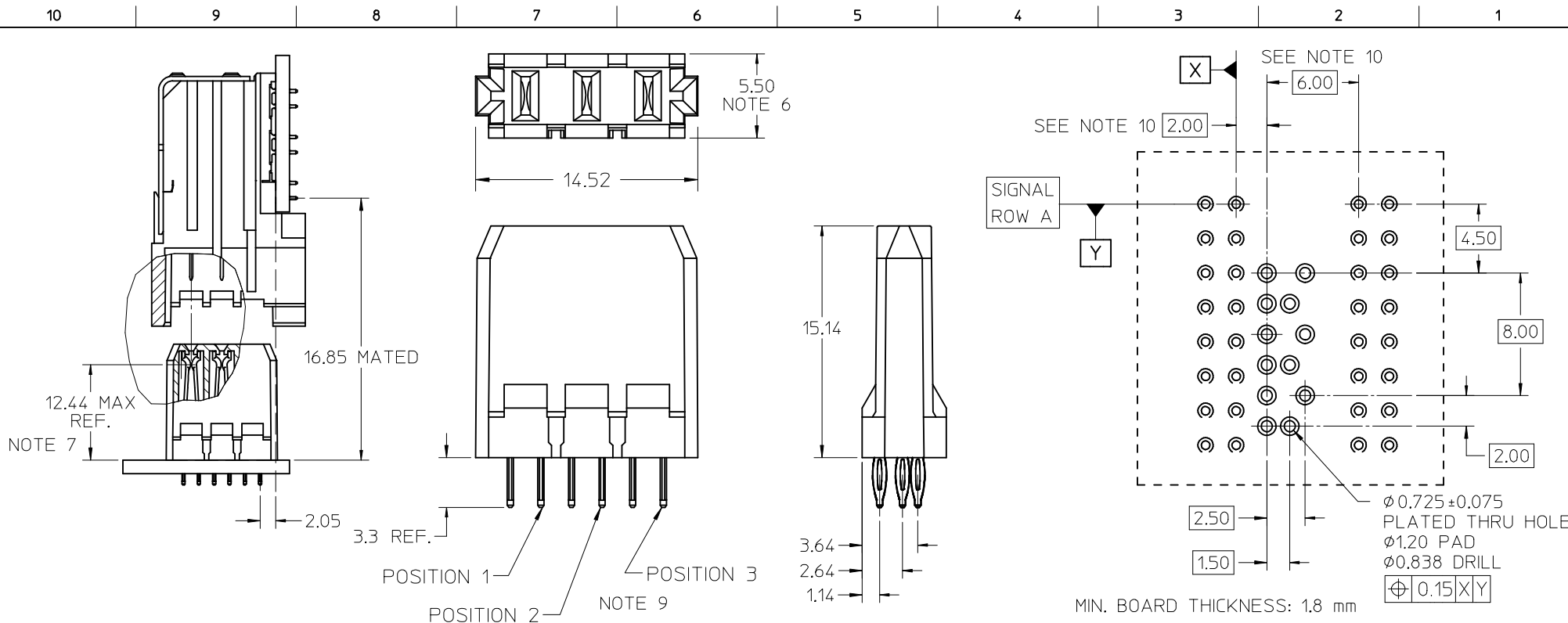
9 8 7 6 5 4 3 2 1



- NOTES:
- MATERIALS:
HOUSING - LIQUID CRYSTAL POLYMER (LCP)
UL94 V-0 RATED, COLOR: BLACK
TERMINAL - COPPER ALLOY
 - FINISH: 30 MICROINCHES MINIMUM GOLD ON MATING SURFACE;
MATTE TIN (Sn) ON TAILS; NICKEL OVERALL.
 - FINISH: 50 MICROINCHES MINIMUM GOLD ON MATING SURFACE;
MATTE TIN (Sn) ON TAILS; NICKEL OVERALL.
 - FINISH: 50 MICROINCHES MINIMUM GOLD ON MATING SURFACE;
TIN / LEAD (Sn/Pb) ON TAILS; NICKEL OVERALL.
 - THIS PART CONFORMS TO PRODUCT SPECIFICATION
PS-74031-999.
 - USE 6.00 mm NOMINAL FOR BACKPLANE LAYOUT.
 - DIMENSION MEASURED FROM BOTTOM OF HOUSING.
 - PACKED PER PK-70873-0876.
 - CONTACT NOT PRESENT AT POSITION ON -84** ASSEMBLIES.
 - THIS DIMENSION TO BE MULTIPLE OF 2.00 mm AS REQUIRED.

TIN / LEAD PLATING				MATTE TIN PLATING			
ASSEMBLY #	CONTACT PLATING	OPEN LOC.	# CONTACTS	ASSEMBLY #	CONTACT PLATING	OPEN LOC.	# CONTACTS
74029-8950	SEE NOTE 4	N/A	3	74029-8000	SEE NOTE 2	N/A	3
				74029-8050	SEE NOTE 3	N/A	
				74029-8400	SEE NOTE 2	POS. 2	2
				74029-8450	SEE NOTE 3	POS. 2	
				74029-8401	SEE NOTE 2	POS. 1	
				74029-8451	SEE NOTE 3	POS. 1	
				74029-8403	SEE NOTE 2	POS. 3	
				74029-8453	SEE NOTE 3	POS. 3	

ADD LEADED P/N EC NO: UCP2013-0146 DRWNS:VANG01 2012/07/13 CHKD:MMOLFE 2012/07/13 APPR:SMILLER 2012/08/06	QUALITY SYMBOLS	GENERAL TOLERANCES (UNLESS SPECIFIED)	DIMENSION STYLE MM ONLY	SCALE 4:1	DESIGN UNITS METRIC	THIRD ANGLE PROJECTION
	$\nabla F=0$	4 PLACES ± --- ± ---	DRAWN BY DATE ELO 2001/10/04	TITLE	HSD 8 ROW POWER BACKPLANE SALES DRAWING molex DOCUMENT NO. SD-74029-009 SHEET NO. 1 OF 1	
	$\nabla E=0$	3 PLACES ± --- ± ---	CHECKED BY DATE GORSKI 2001/10/05			
	$\nabla F=0$	2 PLACES ± 0.25 ± ---	APPROVED BY DATE BIXLER 2001/10/08			
$\nabla E=0$	1 PLACE ± 0.38 ± ---	MATERIAL NO. SEE TABLE				
		0 PLACE ± ±				
		ANGULAR ± 5 °				
		DRAFT WHERE APPLICABLE MUST REMAIN WITHIN DIMENSIONS	SIZE B	THIS DRAWING CONTAINS INFORMATION THAT IS PROPRIETARY TO MOLEX INCORPORATED AND SHOULD NOT BE USED WITHOUT WRITTEN PERMISSION		



- NOTES:
- MATERIALS:
HOUSING - LIQUID CRYSTAL POLYMER (LCP)
UL94 V-0 RATED, COLOR: BLACK
TERMINAL - COPPER ALLOY
 - FINISH: 30 MICROINCHES MINIMUM GOLD ON MATING SURFACE;
MATTE TIN (Sn) ON TAILS; NICKEL OVERALL.
 - FINISH: 50 MICROINCHES MINIMUM GOLD ON MATING SURFACE;
MATTE TIN (Sn) ON TAILS; NICKEL OVERALL.
 - FINISH: 50 MICROINCHES MINIMUM GOLD ON MATING SURFACE;
TIN / LEAD (Sn/Pb) ON TAILS; NICKEL OVERALL.
 - THIS PART CONFORMS TO PRODUCT SPECIFICATION
PS-74031-999.
 - USE 6.00 mm NOMINAL FOR BACKPLANE LAYOUT.
 - DIMENSION MEASURED FROM BOTTOM OF HOUSING.
 - PACKED PER PK-70873-0876.
 - CONTACT NOT PRESENT AT POSITION ON -84** ASSEMBLIES.
 - THIS DIMENSION TO BE MULTIPLE OF 2.00 mm AS REQUIRED.

TIN / LEAD PLATING				MATTE TIN PLATING			
ASSEMBLY #	CONTACT PLATING	OPEN LOC.	# CONTACTS	ASSEMBLY #	CONTACT PLATING	OPEN LOC.	# CONTACTS
74029-8950	SEE NOTE 4	N/A	3	74029-8000	SEE NOTE 2	N/A	3
				74029-8050	SEE NOTE 3	N/A	
				74029-8400	SEE NOTE 2	POS. 2	2
				74029-8450	SEE NOTE 3	POS. 2	
				74029-8401	SEE NOTE 2	POS. 1	
				74029-8451	SEE NOTE 3	POS. 1	
				74029-8403	SEE NOTE 2	POS. 3	
				74029-8453	SEE NOTE 3	POS. 3	

ADD LEADED P/N EC NO: UCP2013-0146 DRWNS:VANG01 2012/07/13 CHKD:MMOLFE 2012/07/13 APPR:SMILLER 2012/08/06	QUALITY SYMBOLS	GENERAL TOLERANCES (UNLESS SPECIFIED)	DIMENSION STYLE	SCALE	DESIGN UNITS	THIRD ANGLE PROJECTION
	$\nabla F=0$ $\nabla E=0$ $\nabla D=0$	mm INCH 4 PLACES ± --- ± --- 3 PLACES ± --- ± --- 2 PLACES ± 0.25 ± --- 1 PLACE ± 0.38 ± --- 0 PLACE ± ±	MM ONLY	4:1	METRIC	
		ANGULAR ± 5 °	DRAWN BY DATE	TITLE		HSD 8 ROW POWER BACKPLANE SALES DRAWING molex
		DRAFT WHERE APPLICABLE MUST REMAIN WITHIN DIMENSIONS	ELO 2001/10/04	SD-74029-009		
		CHECKED BY DATE GORSKI 2001/10/05	SHEET NO. 1 OF 1			
		APPROVED BY DATE BIXLER 2001/10/08	MATERIAL NO. SEE TABLE		DOCUMENT NO. SD-74029-009	
			THIS DRAWING CONTAINS INFORMATION THAT IS PROPRIETARY TO MOLEX INCORPORATED AND SHOULD NOT BE USED WITHOUT WRITTEN PERMISSION			