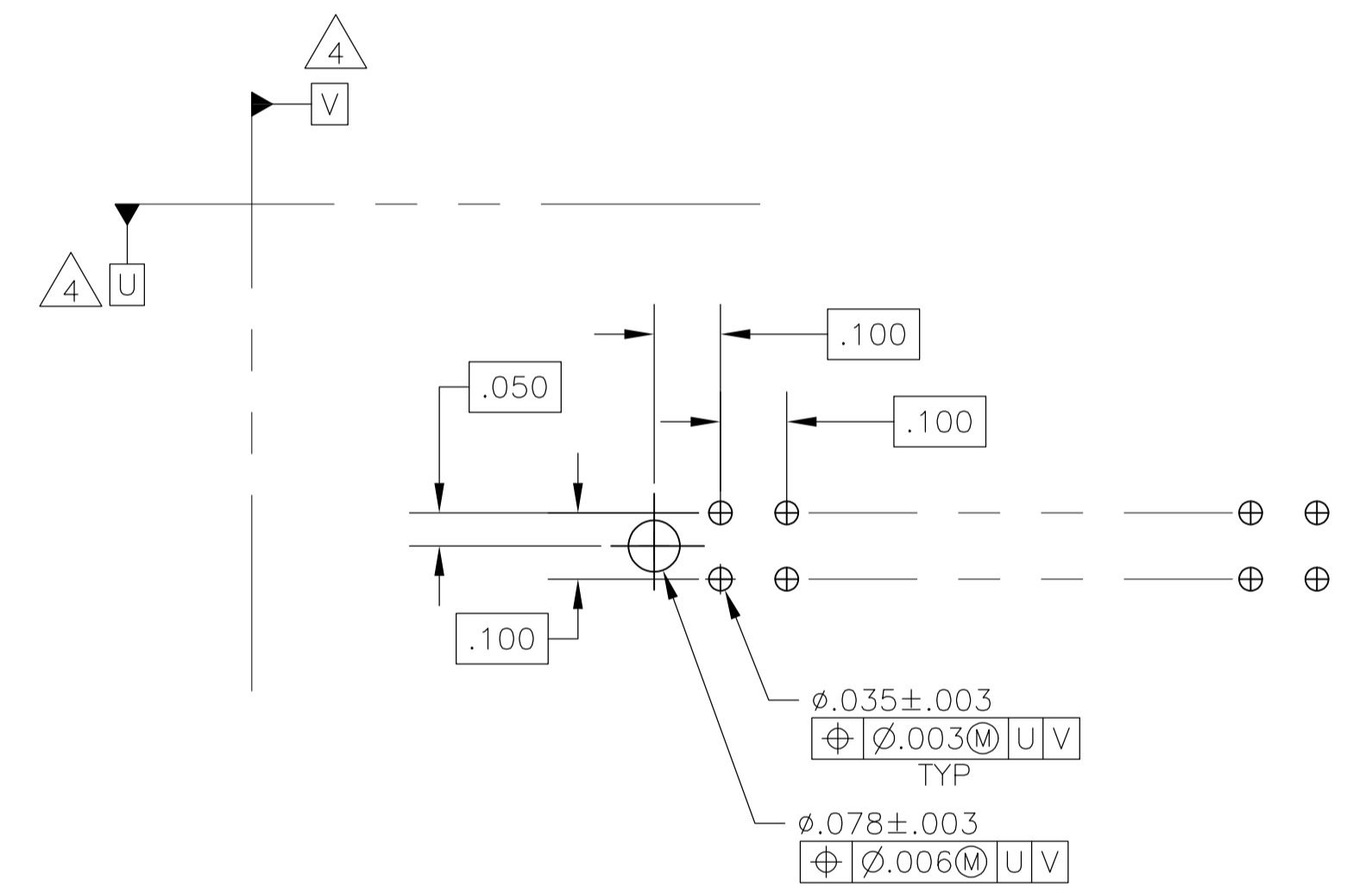
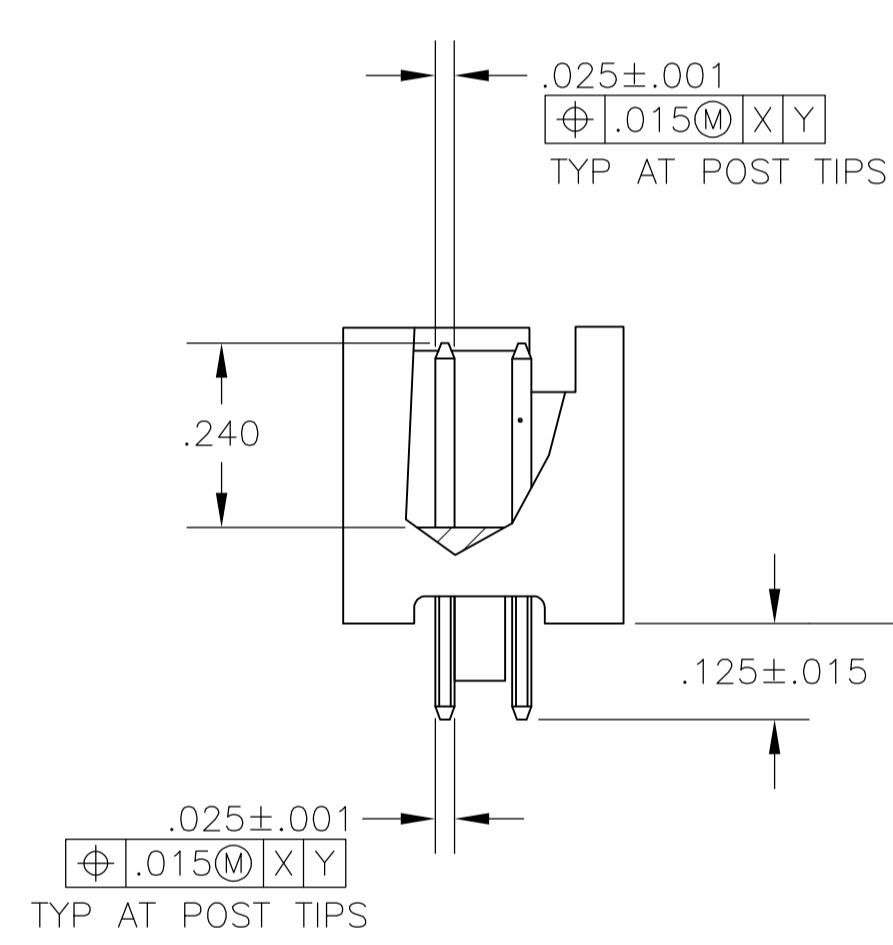
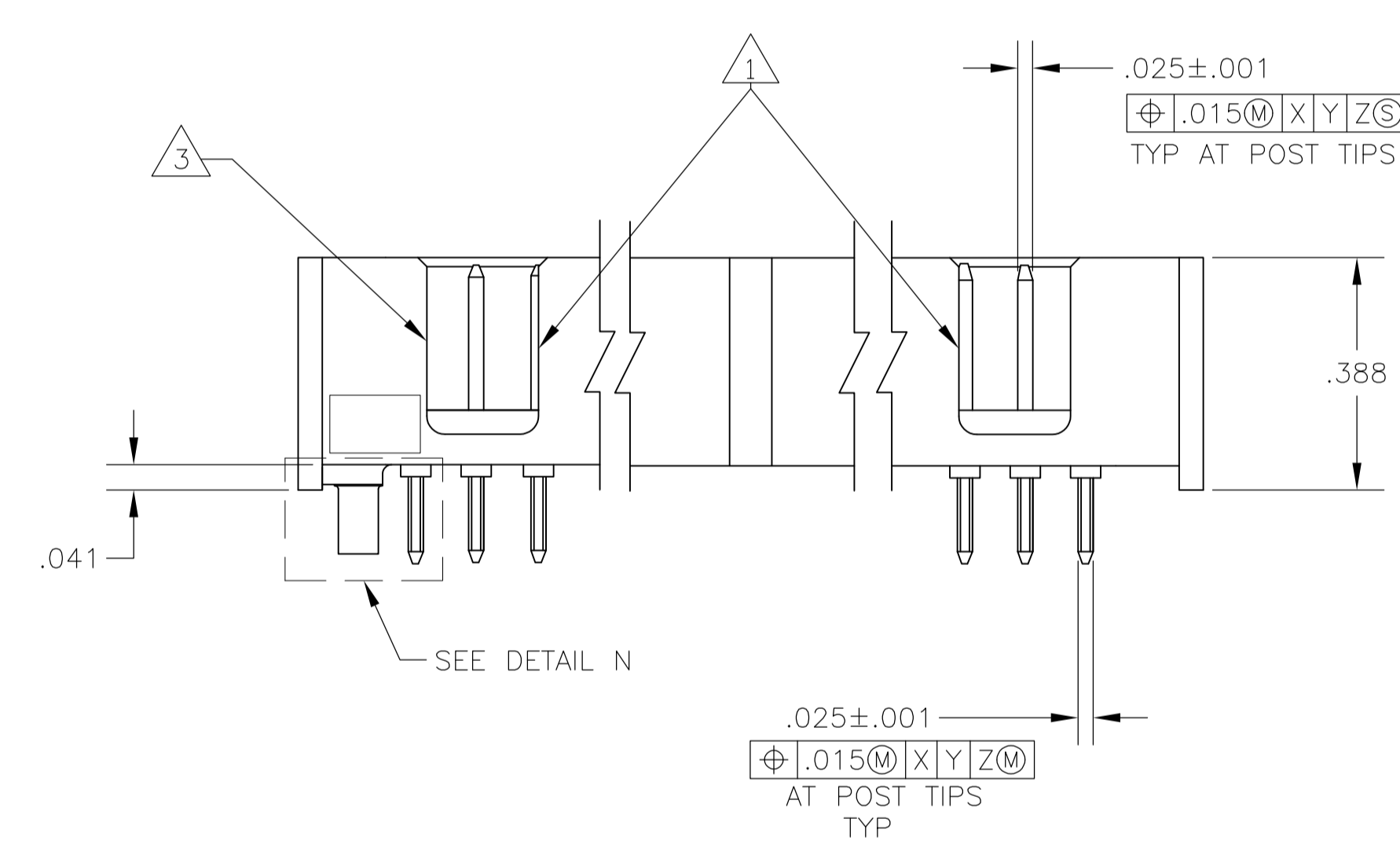
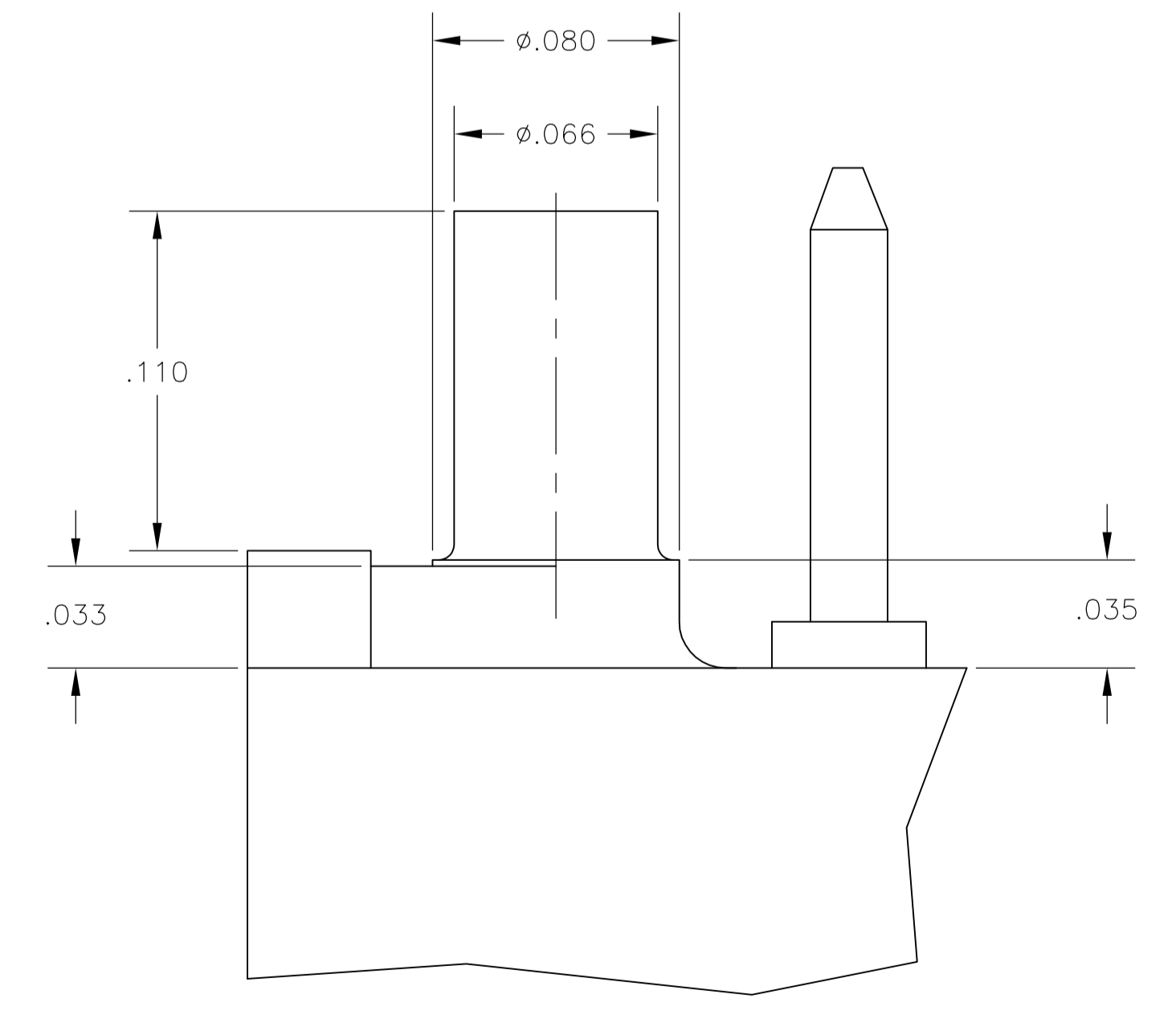


- 1 DOUBLE BAR POLARIZATION SLOTS.
- 2 CENTER POLARIZATION SLOT.
- 3 FOR 10 POSN ASSEMBLY, SLOT OMITTED IN THIS LOCATION.
- 4 DATUMS U AND V TO BE ESTABLISHED BY THE CUSTOMER.
- 5 HOUSING: GLASS FILLED 46 NYLON, UL 94V-0, COLOR: BLACK  
POSTS: BRASS.
- 6 POSTS: GOLD FLASH OVER PALLADIUM-NICKEL PLATE, .000030 MIN TOTAL ON THE MATING SURFACES, .000100 MIN TIN PLATE ON THE SOLDER-TAILS, .000050 MIN NICKEL UNDERPLATE ON THE ENTIRE POST.  
-OR-  
.000030 MIN GOLD PLATE ON THE MATING SURFACES, .000100 MIN TIN PLATE ON THE SOLDER-TAILS, .000050 MIN NICKEL UNDERPLATE ON THE ENTIRE POST.
- 7 RIBS:  
ALL POSITION SIZES: 2 LOCATED AT ENDS OF HOUSING.  
20 THRU 26 POSITION SIZES: 1 OPTIONAL RIB CENTERED ON HOUSING.  
50 POSITIONS SIZE: 2 OPTIONAL RIBS EVENLY SPACED WITHIN REMAINING LENGTH OF HOUSING.



RECOMMENDED PCB LAYOUT



DETAIL N  
SCALE 20:1

2.800	2.400	24	50	1888193-9
1.600	1.200	12	26	1888193-6
1.300	.900	9	20	1888193-4
.800	.400	4	10	1888193-1
C	B	A	NO OF POSN	PART NUMBER

THIS DRAWING IS A CONTROLLED DOCUMENT.

DIMENSIONS: INCHES	TOLERANCES UNLESS OTHERWISE SPECIFIED:	0. PLC ± -	1. PLC ± -	2. PLC ± -	3. PLC ± .005	4. PLC ± -	ANGLES ± -				
MATERIAL		FINISH		SIZE		CAGE CODE		DRAWING NO		RESTRICTED TO	
5		6		A1		00779		1888193		-	
CUSTOMER DRAWING				SCALE 4:1		SHEET 1 OF 1		REV G			

DWG: C. LAUBACH 14 DEC 05  
 CHK: S. BOLASH 14 DEC 05  
 APVD: M. WALMSLEY 14 DEC 05  
 NAME: M. WALMSLEY  
 PRODUCT SPEC: 108-40018  
 APPLICATION SPEC: -  
 SIZE: A1  
 CAGE CODE: 00779  
 DRAWING NO: 1888193  
 RESTRICTED TO: -  
 SCALE: 4:1  
 SHEET: 1 OF 1  
 REV: G

**STE** TE Connectivity  
 HEADER ASSY, VERTICAL, LOW PROFILE, AMP-LATCH