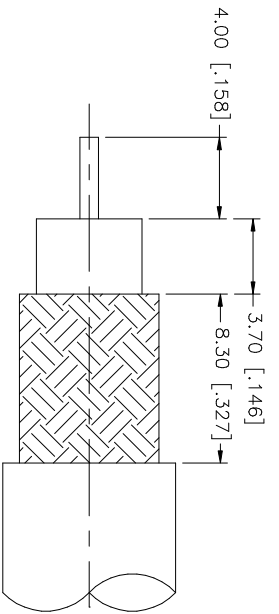
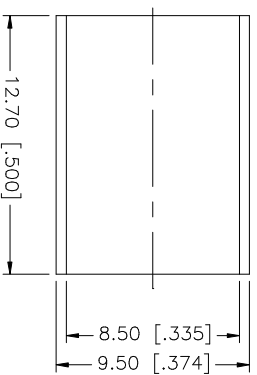
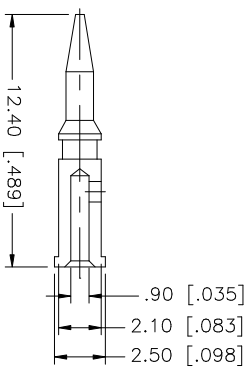
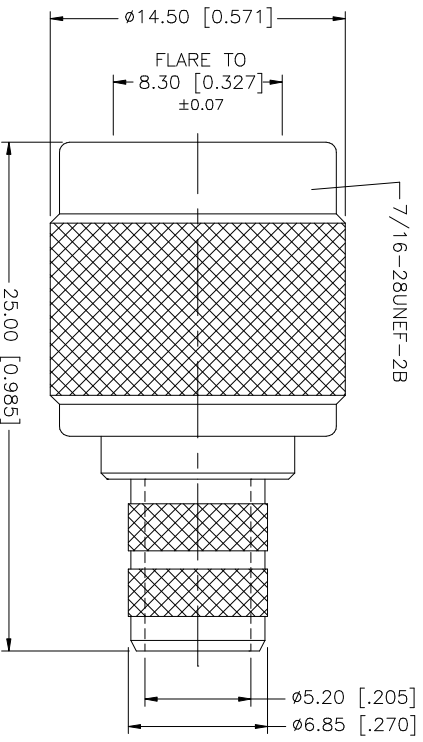


REV.	DATE	DESCRIPTION
NC	04/15/97	INITIAL RELEASE
A	04/20/06	UPDATE DRAWING FORMAT



RECOMMENDED
CABLE STRIPPING DIM'S



QTY	FINISH	MATERIAL	DESCRIPTION
1	NICKEL	BRASS	BODY
1	NATURAL	DELFIN	INSULATOR
1	GOLD	BRASS	CONTACT PIN
1	NICKEL	BRASS	FERRULE

UNLESS OTHERWISE SPECIFIED DIMENSIONS ARE IN MILLIMETERS. DIMENSIONS IN [] ARE IN INCHES AND FOR SUBSTITUTED RESERVE ONLY.	DATE	APPROVALS
UNLESS OTHERWISE SPECIFIED DIMENSIONS ARE IN MILLIMETERS. DIMENSIONS IN [] ARE IN INCHES AND FOR SUBSTITUTED RESERVE ONLY.	04/20/06	G.R.S.
UNLESS OTHERWISE SPECIFIED TOLERANCES FOR MILLIMETERS ARE: 0.5 - 8mm ± 0.20mm 8 - 30mm ± 0.40mm 30 - 120mm ± 0.50mm		
UNLESS OTHERWISE SPECIFIED TOLERANCES FOR INCHES ARE: .020 - .315 = ± 0.007" .315 - 1.180 = ± 0.015" 1.180 - 4.724 = ± 0.020"		
DO NOT SCALE DRAWING		

REV. A	SCALE NA	SIZE A	REV A	DWG. NO. 122391.DWG	CAD FILE C:/122/1122391.DWG	DATE	DESCRIPTION
						04/20/06	TNC CRIMP PLUG (FOR BELDIN 82B1 - 75ohm)

Amphenol Connex