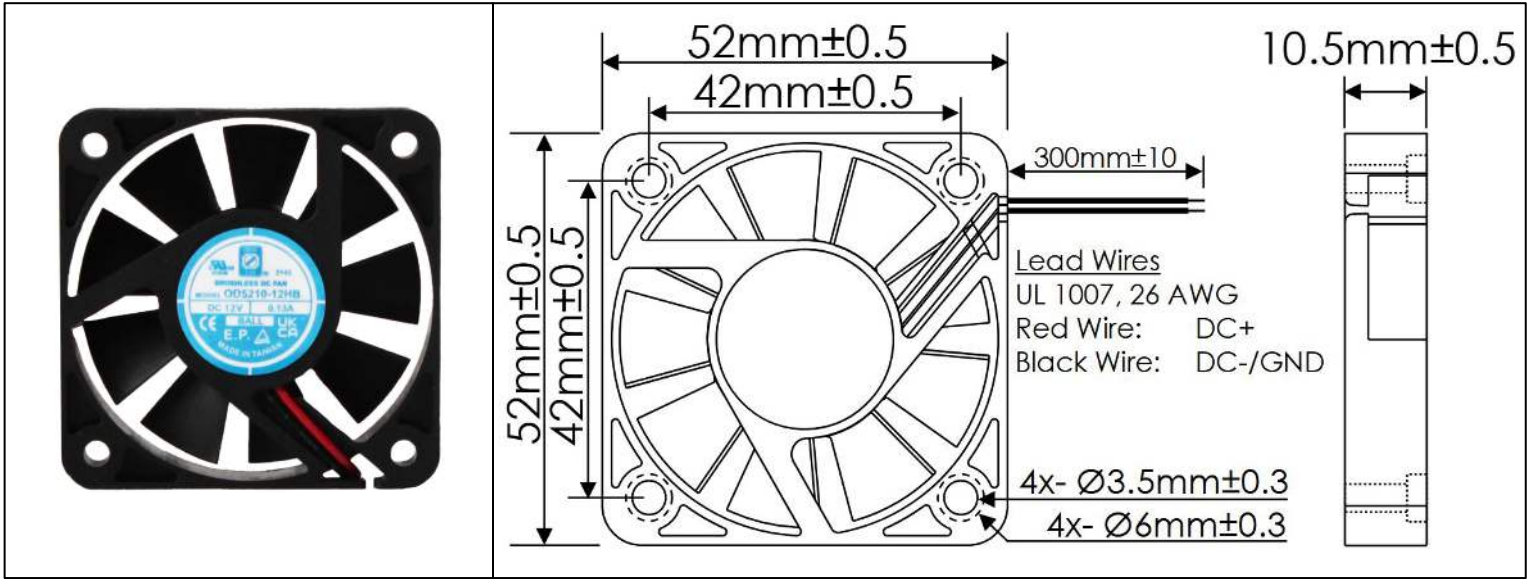


# OD5210 High Speed Series



DC Fans - 5, 12, 24V  
52mm x 10.5mm (2.0" x 0.4")



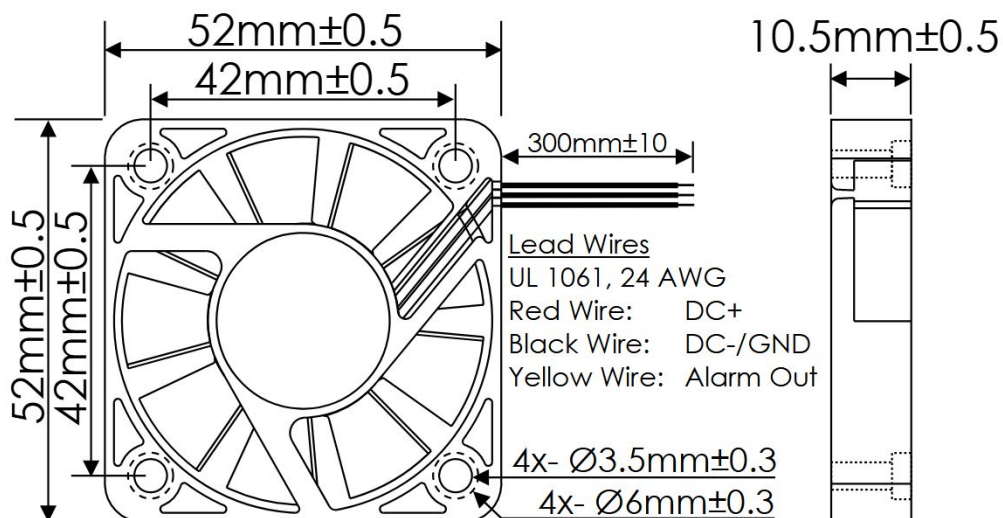
<b>Frame</b>	PBT, UL94 V-0 Plastic	<b>Operating Temperature</b> -20°C ~ +65°C  <b>Storage Temperature</b> -20°C ~ +75°C  <b>Life Expectancy</b> 70,000 Hours (L10 at 40°C)  <b>Available Options</b> PWM Speed Control Input Tachometer Output Alarm Output IP Ratings  Weight: 0.05 lbs	
<b>Impeller</b>	PBT, UL94 V-0 Plastic		
<b>Connection</b>	2x Wire Leads, 26 AWG		
<b>Motor</b>	Brushless DC, Auto Cutoff, Auto Restart, Electronically Protected, Polarity Protected		
<b>Bearing System</b>	Ball Bearings		
<b>Dielectric Strength</b>	500VDC/min, <1mA		
<b>Insulation Resistance</b>	≥10MΩ @ 500VDC		

Part Number	Rated Voltage (Volts DC)	Voltage Range (Volts DC)	Input Power (Watts)	Rated Current (Amps)	Rated Speed (RPM)	Max Airflow (CFM)	Noise Level (dBA)	Max Static Pressure (\"H <sub>2</sub> O)
OD5210-05HB	5	4.5 ~ 5.5	1.25	0.25	5950	12.0	37.8	0.20
OD5210-12HB	12	12 ~ 13.8	1.60	0.13	5950	12.0	37.8	0.20
OD5210-24HB	24	14 ~ 26.4	2.64	0.11	5950	12.0	37.8	0.20

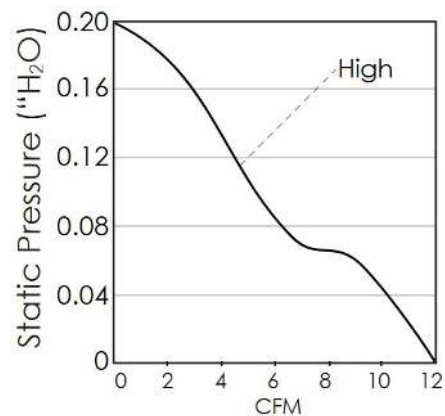


# OD5210 High Speed Series with Alarm

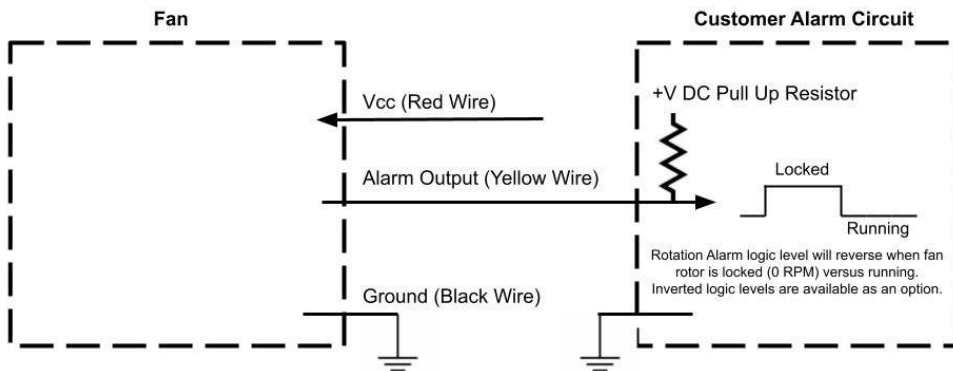
DC Fans - 5, 12, 24V  
52mm x 10.5mm (2.0" x 0.4")



Frame	PBT, UL94 V-0 Plastic	<b>Operating Temperature</b> -20°C ~ +65°C <b>Storage Temperature</b> -20°C ~ +75°C <b>Life Expectancy</b> 70,000 Hours (L10 at 40°C) <b>Installed Options</b> Open Collector Alarm Output <b>Available Options</b> Inverted Alarm Logic <b>Weight:</b> 0.05 lbs
Impeller	PBT, UL94 V-0 Plastic	
Connection	3x Wire Leads, 24 AWG	
Motor	Brushless DC, Auto Cutoff, Auto Restart, Electronically Protected, Polarity Protected	
Bearing System	Ball Bearings	
Dielectric Strength	500VDC/min, <1mA	
Insulation Resistance	≥10MΩ @ 500VDC	



Part Number	Rated Voltage (Volts DC)	Voltage Range (Volts DC)	Input Power (Watts)	Rated Current (Amps)	Rated Speed (RPM)	Max Airflow (CFM)	Noise Level (dBA)	Max Static Pressure ("H <sub>2</sub> O)
OD5210-05HB02A	5	4.5 ~ 5.5	1.25	0.25	5950	12.0	37.8	0.20
OD5210-12HB02A	12	12 ~ 13.8	1.60	0.13	5950	12.0	37.8	0.20
OD5210-24HB02A	24	14 ~ 26.4	2.64	0.11	5950	12.0	37.8	0.20

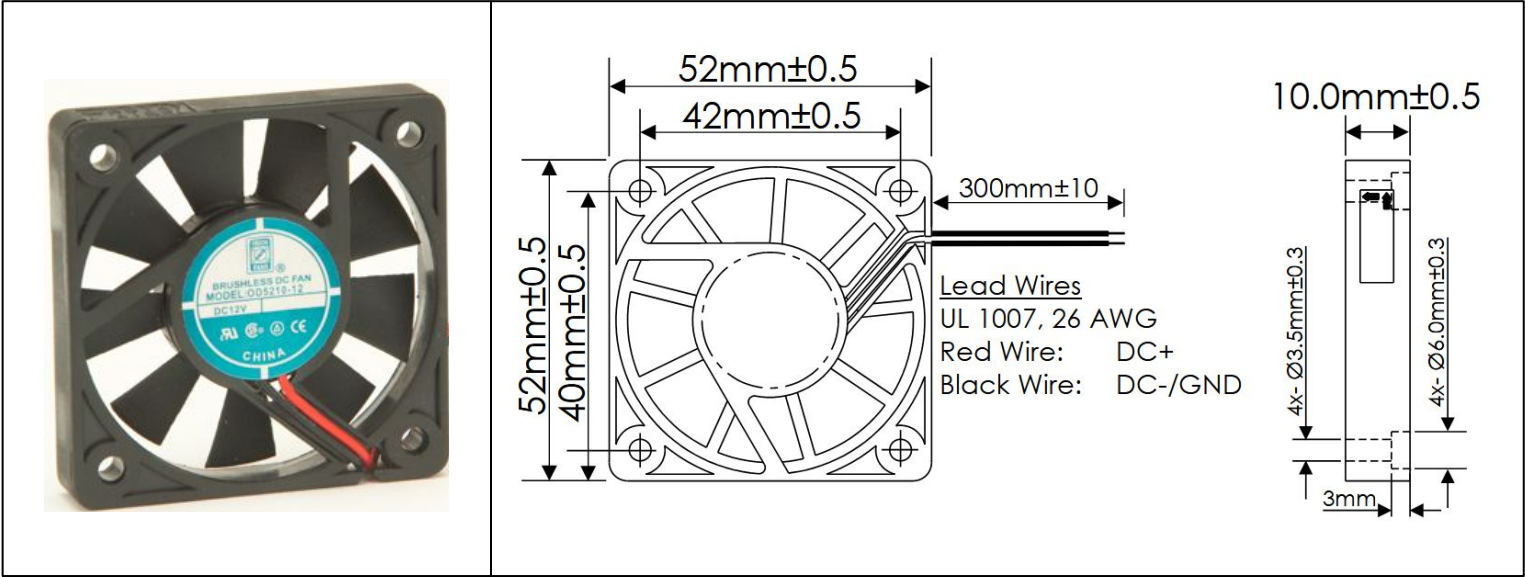


Alarm Max Pullup Voltage: Fan Vcc  
 Alarm Max Sink Current: 5mA  
 Alarm Active Locked Rotor State: HIGH

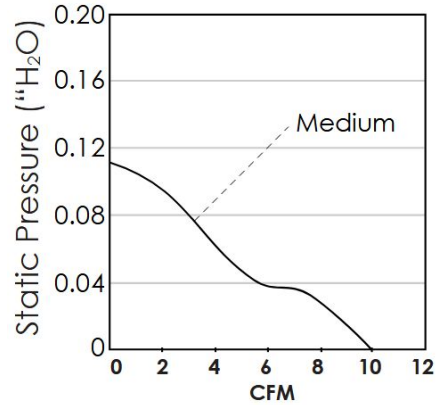
# OD5210 Medium Speed



DC Fans - 12V  
52mm x 10mm (2.0" x 0.4")



Frame	PBT, UL94 V-0 Plastic	<u>Operating Temperature</u> -20°C ~ +65°C  <u>Storage Temperature</u> -20°C ~ +75°C  <u>Life Expectancy</u> 70,000 Hours (L10 at 40°C)  Weight: 0.05 lbs
Impeller	PBT, UL94 V-0 Plastic	
Connection	2x Wire Leads, 26 AWG	
Motor	Brushless DC, Auto Cutoff, Auto Restart, Electronically Protected, Polarity Protected	
Bearing System	Ball Bearings	
Dielectric Strength	500VDC/min, <1mA	
Insulation Resistance	≥10MΩ @ 500VDC	



Part Number	Rated Voltage (Volts DC)	Voltage Range (Volts DC)	Input Power (Watts)	Rated Current (Amps)	Rated Speed (RPM)	Max Airflow (CFM)	Noise Level (dBA)	Max Static Pressure ("H <sub>2</sub> O)
OD5210-12MB	12	8 ~ 13.8	1.44	0.12	5000	10.0	32	0.11