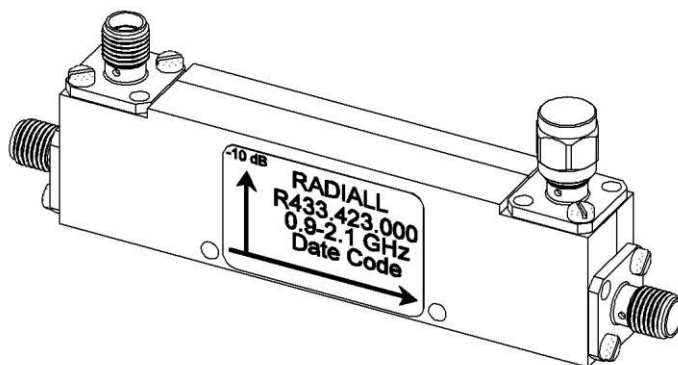
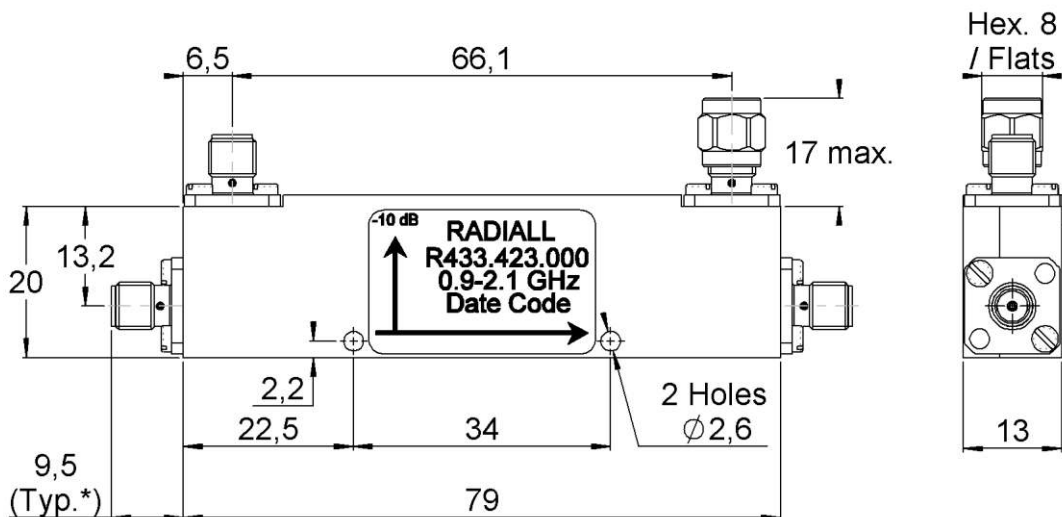
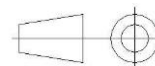


PAGE 1/2	ISSUE 05-12-19C	SERIES COUPLER	PART NUMBER <b>R433423000</b>
----------	-----------------	-------------------	-------------------------------

Scale 1 : 1



All dimensions are in mm. Tolerances according ISO 2768 m-H



Weight Specification **72,7500** g

## **ELECTRICAL CHARACTERISTICS**

Frequency operating range :	0.9 – 2.1 GHz
Impedance :	50 $\Omega$
VSWR : - Main Line	1.15 max.
- Coupled Line	1.15 max.
Nominal Coupling :	10 dB
Coupling Precision :	$\pm 0.8$ dB
Insertion Loss :	1 dB max.
Directivity :	22 dB mini
Frequency Sensitivity :	$\pm 0.3$ dB
Average Power at 25°C	50W
Peak Power at 25°C	3000W

## **MECHANICAL CHARACTERISTICS**

Connector type :	SMA female per MIL-C 39012
Coaxial Termination :	SMA, 50 $\Omega$ , 1W

## **ENVIRONMENTAL CHARACTERISTICS**

Operating temperature :	-25°C / +85°C
Storage temperature :	-40°C / +100°C