

1

2

3

4

5

6

7

A

A

B

B

C

C

D

D

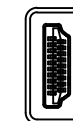
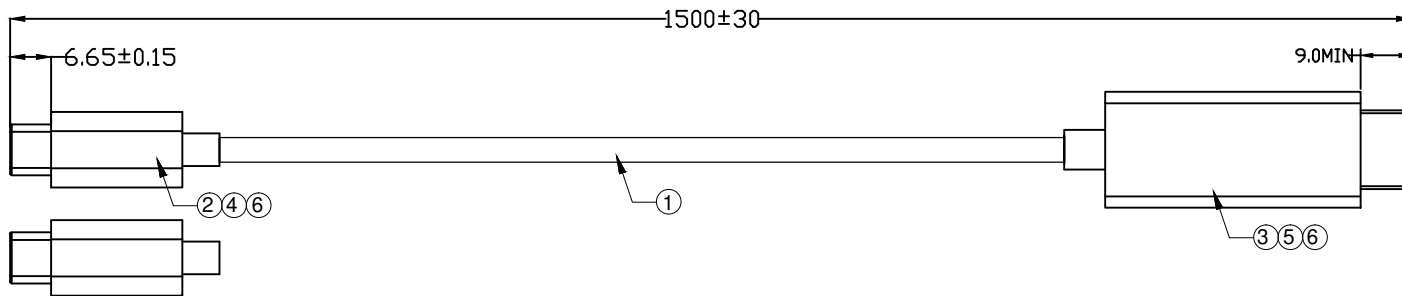
E

E

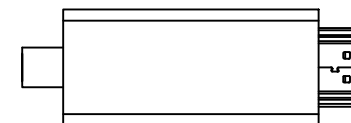
F

F

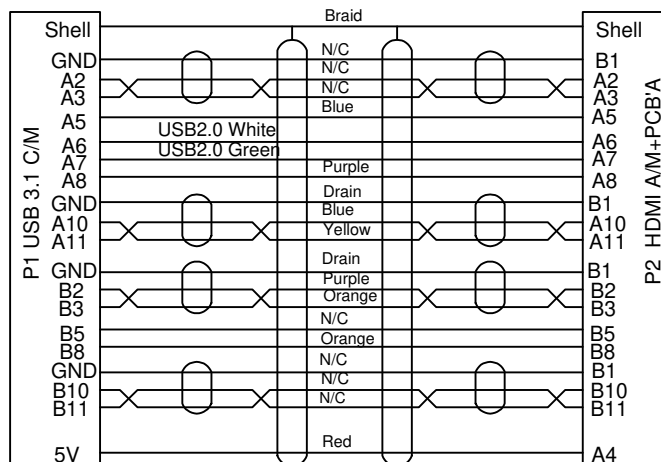
P1



P2



NOTE:
1.Solution: up to 3840x2160@30Hz
2.Deliver audio and video



⑥	Over mold	PVC 45P BK	NA	G
⑤	Shell	HDMI male shell, BK ABS	1	PCS
④	Shell	Type-C male shell, BK ABS	1	PCS
③	CONN	HDMI male, pin gold flash, shell Nickel plated, with PCB	1	PCS
②	CONN	Type-C male, pin gold flash, shell Nickel plated	1	PCS
①	CABLE ①	UL20276 USB3.1 (32#*1P+D+AL+MY)*4C+32#*4C+32#*1P+24#*1C+AB, OD:4.7m, BK PVC jacket No marking	1	PCS
NO.	NAME	DESCRIPTION	Q'TY	UNIT

RoHS compliant
Unit: mm

Scale Free

TOLERANCE

Date

Name

Customer-No.

Drawn

24.04.2023

Daniel

Approved

12.06.2023

Luca

ASSMANN WSW-No.

A-USB32C-04M-150

DIM TOL

① Update cable specification

12.06.2023

Luca

② Drawn

24.04.2023

Daniel

Angle TOL

Id. Modification

Date

Name



Drawing-No.

ASS 10517 CA

rev01

Replace

Sheet

1 / 1

1

2

3

4

5

6

7