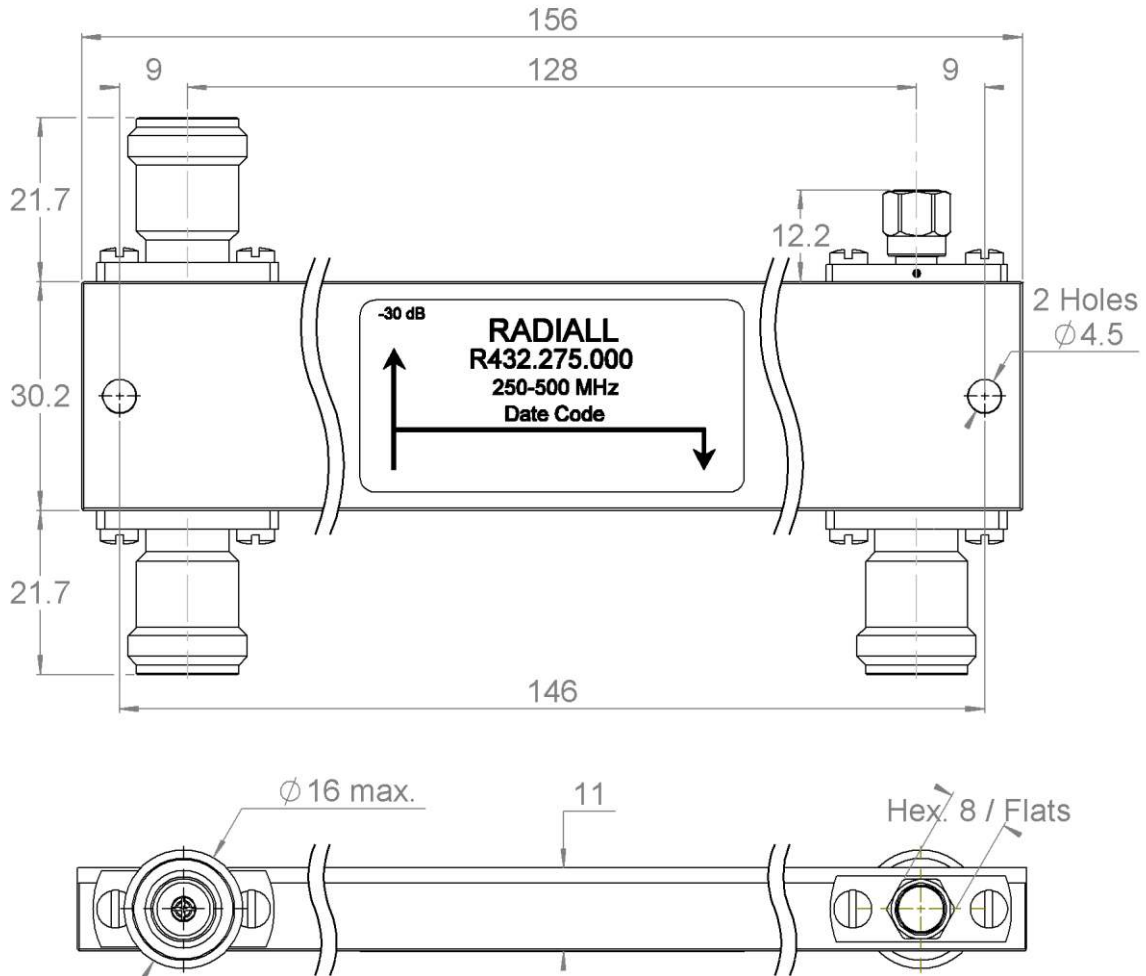


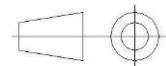
| | | | |
|----------|-----------------|--------------------------|-------------------------------|
| PAGE 1/2 | ISSUE 04-12-19M | SERIES COUPLER | PART NUMBER R432275000 |
|----------|-----------------|--------------------------|-------------------------------|

Scale 1 : 1



All dimensions are in mm. Tolerances according ISO 2768 m-H

Weight Specification **184,3700** g



ELECTRICAL CHARACTERISTICS

| | |
|-----------------------------|-----------------|
| Frequency operating range : | 0.25 – 0.50 GHz |
| Impedance : | 50 Ω |
| VSWR : - Main Line | 1.12 max. |
| - Coupled Line | 1.12 max. |
| Nominal Coupling : | 30 dB |
| Coupling Precision : | ± 0.3 dB |
| Insertion Loss : | 0.4 dB max. |
| Directivity : | 15 dB mini |
| Frequency Sensitivity : | ± 0.8 dB |
| Average Power at 25°C | 500W |
| Peak Power at 25°C | 5000W |

MECHANICAL CHARACTERISTICS

| | |
|-----------------------|--------------------------|
| Connector type : | N female per MIL-C 39012 |
| Coaxial Termination : | SMA 50 Ω , 1W |

ENVIRONMENTAL CHARACTERISTICS

| | |
|-------------------------|---------------|
| Operating temperature : | -25°C / +70°C |
| Storage temperature : | -25°C / +70°C |