



THE LUMAWISE ALR 7000 SERIES IS THE RESULT OF OVER FIFTY YEARS OF EXPERIENCE DESIGNING AND DELIVERING HIGHLY-RATED PHOTOCONTROLS AND OTHER LIGHTING ACCESSORIES AROUND THE WORLD.

# LUMAWISE ALR 7000 SERIES

## PHOTOCONTROL

TE Connectivity's (TE) LUMAWISE ALR 7000 series photocontrol provides a utility grade, high performance, multi-volt control for demanding roadway, street and area lighting applications.

TE's LUMAWISE 7000 series photocontrol design surpasses 20,000 On/Off operation cycles per the ANSI C136.10 standard providing an expected life range between 8 to 10 years.

As an option in our electronic photocontrols, TE uses an IR filtered phototransistor which gives a human eye response along with long term, drift-free light sensing for the life of the control.

As is the case with all of our electronic controls, the 7000 series utilizes our interlocking base/cap design for excellent environmental protection. With additional part numbers, the LUMAWISE 7000 Series now provides two photocontrols with surge protection up to 1025J and two photocontrols with ingress protection up to IP66.

### BENEFITS

- Designed for HID lighting
- Supports multiple input voltages
- High temperature housings and components
- 20mm, 15kA, 480 Joule MOV, standard
- Meets or exceeds ANSI C136.10
- Rated life: 10 years

# LUMAWISE ALR 7000 SERIES

## PHOTOCONTROL

### APPLICATIONS

- Street and area lighting
- Roadway lighting
- Commercial outdoor lighting (i.e. parking lots, car dealerships)

### ELECTRICAL

- Voltage rating: 105 – 305 VAC
- Frequency: 50/60 Hz
- Power consumption: Less than 0.5 watts at 120 VAC
- Relay rating: 30 AMP general purpose relay
- Load rating: Resistive: 1000 W Tungsten: 1800 VA Electronic ballast: 2 A
- Operating light levels: Standard 1.5 Fc on (optional 1 – 2.6 Fc)
- Time delay ON/OFF: Instant on, 2 – 5 second delay OFF
- OFF/ON ratio: 1.5:1
- Fail mode: ON
- Surge protection: Up to 1025J
- Light sensor: Non-drifting phototransistor

### MECHANICAL

- Operating temperature rating: -40°C to +65°C at 96% RH
- Rated life: 10 years
- Control: DC electromagnetic switch exceeds 20,000 ON/OFF per ANSI C136.10
- Ingress protection: Up to IP66

### MATERIALS

- Base: High temperature polyester (PBT)
- Gasket: Cross-linked polyethylene
- Cover: High impact polypropylene with UV stabilized polycarbonate window
- Connection: 3 pole locking type with brass contacts
- Dimensions: IP54 version: Approximately 83mm diameter X 45mm high (not including contacts) IP66 version: Approximately 82mm diameter X 56mm high (not including contacts)

### SPECIFICATIONS

- ANSI C136.10
- Meets the CENELEC HD 629.1 frequency



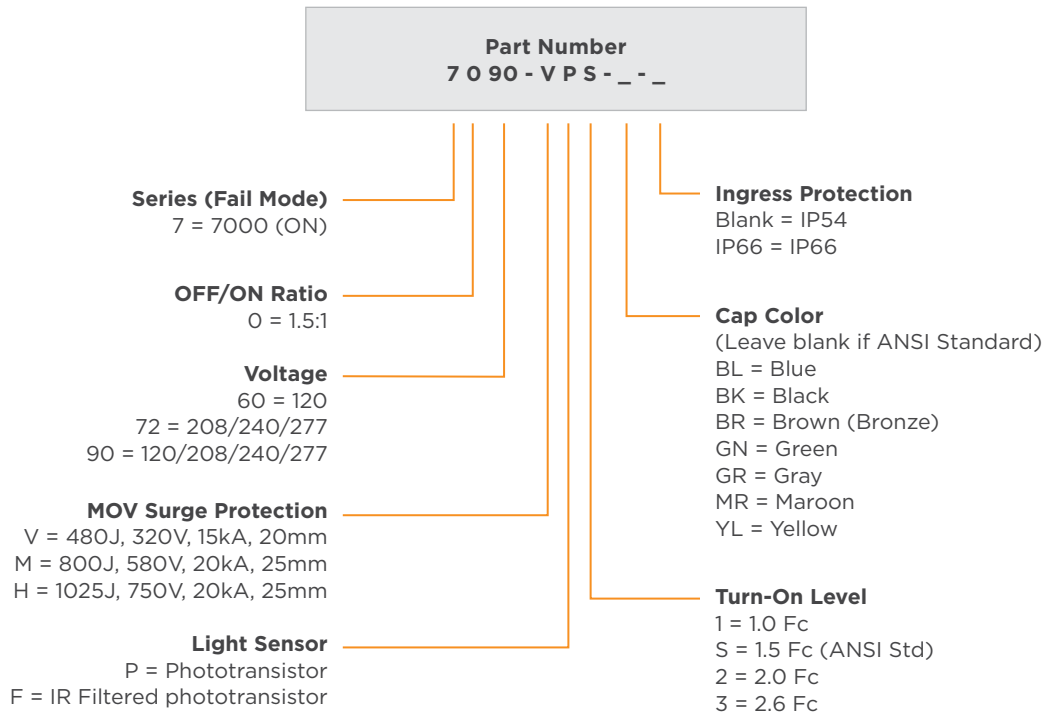
### PRODUCT INFORMATION

Part Number	Descriptive PN	Color	Energy	Current	Certification
<a href="#">HK379T-000</a>	ALR-7060-VPS	Gray	480J	15kA	-
<a href="#">EN1865-000</a>	ALR-7060-VPS-BK	Black	480J	15kA	-
<a href="#">L2134Z-000</a>	ALR-7090-VPS	Blue	480J	15kA	-
<a href="#">21244H-000</a>	ALR-7090-VPS-BK	Black	480J	15kA	-
<a href="#">FR626C-000</a>	ALR-7090-VPS-BR	Brown	480J	15kA	-
<a href="#">4Z9454-000</a>	ALR-7090-VFS	Blue	480J	15kA	-
<a href="#">CS8870-001</a>	ALR-7090-VF3-BK	Black	480J	15kA	-
<a href="#">2401413-1</a>	ALR-7090-MFS	Blue	800J	20kA	UL
<a href="#">2401413-2</a>	ALR-7090-HFS	Blue	1025J	20kA	UL
<a href="#">2388948-1</a>	ALR-7090-MFS-IP66	Blue	800J	20kA	UL
<a href="#">2388949-1</a>	ALR-7090-MPS-IP66	Blue	800J	20kA	UL

# LUMAWISE ALR 7000 SERIES

## PHOTOCONTROL

The 7000 series offers almost unlimited options ensuring your lighting network needs will be met.



### ANSI Standard Cap Colors

120V	Gray
208 / 240 / 277V	Maroon
120 / 208 / 240 / 277V	Blue

If any additional part numbers are needed contact [Product and Customer Support](#).

### te.com

© 2023 TE Connectivity. All Rights Reserved.

TE Connectivity, TE connectivity (logo) and Every Connection Counts are trademarks owned or licensed by TE Connectivity. All other logos, products and/or company names referred to herein might be trademarks of their respective owners.

While TE has made every reasonable effort to ensure the accuracy of the information in this brochure, TE does not guarantee that it is error-free, nor does TE make any other representation, warranty or guarantee that the information is accurate, correct, reliable or current. TE reserves the right to make any adjustments to the information contained herein at any time without notice. TE expressly disclaims all implied warranties regarding the information contained herein, including, but not limited to, any implied warranties of merchantability or fitness for a particular purpose. The dimensions in this catalog are for reference purposes only and are subject to change without notice. Specifications are subject to change without notice. Consult TE for the latest dimensions and design specifications.

06/23 ES