

HC-STA-B32-CHWD-1TTP42-ELC-AL - Housing



1424841

<https://www.phoenixcontact.com/us/products/1424841>

Please be informed that the data shown in this PDF document is generated from our online catalog. Please find the complete data in the user documentation. Our general terms of use for downloads are valid.



Coupling housings B32, with double locking latch, material: Die-cast aluminum, salt water resistant, cable outlets: 1, straight, 1x Pg42, height: 99.8 mm, cable gland: none, Standard

Your advantages

- Good shielding in the event of electromagnetic interference

Commercial data

| | |
|--------------------------------------|---------------------|
| Item number | 1424841 |
| Packing unit | 1 pc |
| Minimum order quantity | 1 pc |
| Sales key | BF56 |
| Product key | BF7APB |
| Catalog page | Page 644 (C-2-2019) |
| GTIN | 4055626382463 |
| Weight per piece (including packing) | 448 g |
| Weight per piece (excluding packing) | 434 g |
| Customs tariff number | 85389099 |
| Country of origin | CN |

1424841

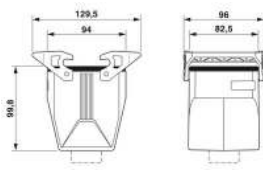
<https://www.phoenixcontact.com/us/products/1424841>

Technical data

Product properties

| | |
|------------------------------|----------------------------|
| Type | B32 |
| Product type | Housing with locking latch |
| Application | Standard |
| No. of cable outlets | 1 |
| Type of the screw connection | 1x Pg42 |
| Housing type | Coupling housings |
| Cable outlet | straight |
| Pg screw connection | none |

Dimensions

| | |
|---------------------|---|
| Dimensional drawing |  |
| Width | 82.5 mm |
| Height | 99.8 mm |
| Length | 94 mm |

Material specifications

| | |
|--|---|
| Flammability rating according to UL 94 | V0 (Interlock) |
| Seal material | NBR, conductive |
| Housing surface material | uncoated |
| Locking latch material | PA |
| Impact strength | IK09 |
| Housing material | Die-cast aluminum, salt water resistant |

Mechanical properties

Mechanical data

| | |
|------------------------------|---------|
| Type of the screw connection | 1x Pg42 |
| Locking type | Latch |

Environmental and real-life conditions

Ambient conditions

| | |
|-----------------------------|-------------|
| Degree of protection | IP66 |
| | IP67 |
| Degree of protection (NEMA) | 4 (UL 50e) |
| | 4X (UL 50e) |
| | 12 (UL 50e) |

HC-STA-B32-CHWD-1TTP42-ELC-AL - Housing



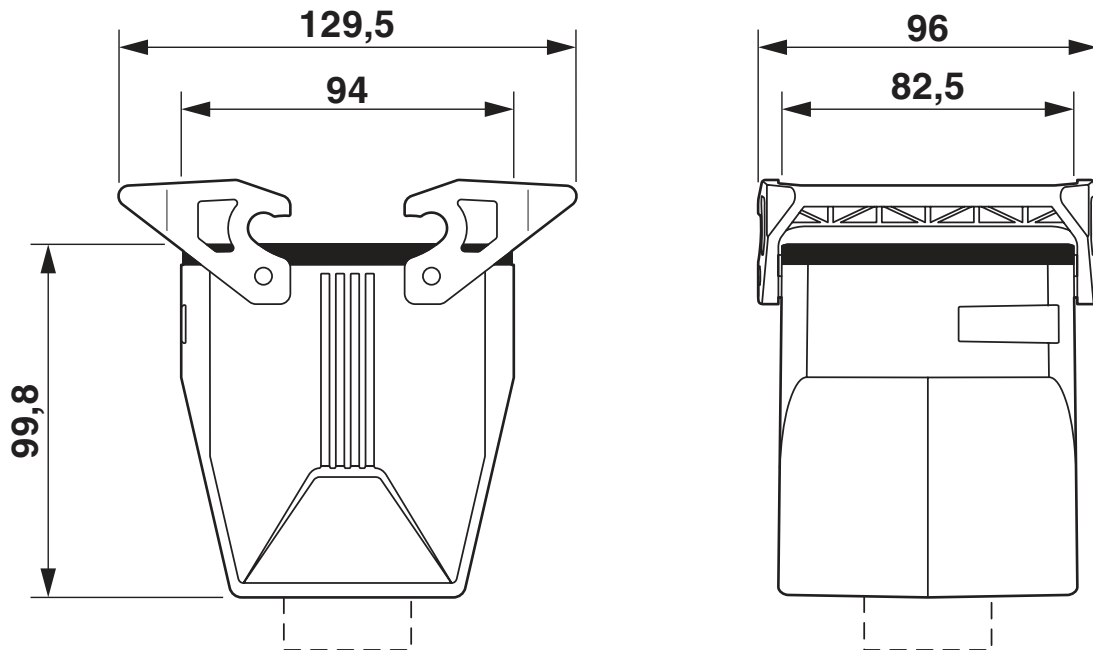
1424841

<https://www.phoenixcontact.com/us/products/1424841>

| | |
|---------------------------------|-------------------|
| Impact strength | IK09 |
| Ambient temperature (operation) | -40 °C ... 125 °C |

Drawings

Dimensional drawing



Dimensional drawing

1424841

<https://www.phoenixcontact.com/us/products/1424841>

Approvals

To download certificates, visit the product detail page: <https://www.phoenixcontact.com/us/products/1424841>

DNV

Approval ID: TAE000037S



cUL Recognized

Approval ID: E255026



UL Recognized

Approval ID: E255026



EAC

Approval ID: RU C-DE.BL08.B.00511

cULus Recognized

1424841

<https://www.phoenixcontact.com/us/products/1424841>

Classifications

ECLASS

| | |
|-------------|----------|
| ECLASS-11.0 | 27440202 |
| ECLASS-12.0 | 27440202 |
| ECLASS-13.0 | 27440202 |

ETIM

| | |
|----------|----------|
| ETIM 8.0 | EC000437 |
|----------|----------|

UNSPSC

| | |
|-------------|----------|
| UNSPSC 21.0 | 31261500 |
|-------------|----------|

HC-STA-B32-CHWD-1TTP42-ELC-AL - Housing



1424841

<https://www.phoenixcontact.com/us/products/1424841>

Environmental product compliance

| | |
|------------|---|
| China RoHS | Environmentally friendly use period: unlimited = EFUP-e |
| | No hazardous substances above threshold values |

HC-STA-B32-CHWD-1TTP42-ELC-AL - Housing



1424841

<https://www.phoenixcontact.com/us/products/1424841>

Accessories

HC-STA-B32-BCSFD-PL-BK - Protective cover

1424850

<https://www.phoenixcontact.com/us/products/1424850>

Protective cover B32, for double locking latch, protective cover material: PA, height: 24.8 mm, seal: no, Standard, with lanyard



Phoenix Contact 2023 © - all rights reserved
<https://www.phoenixcontact.com>

Phoenix Contact USA
586 Fulling Mill Road
Middletown, PA 17057, United States
(+717) 944-1300
info@phoenixcon.com