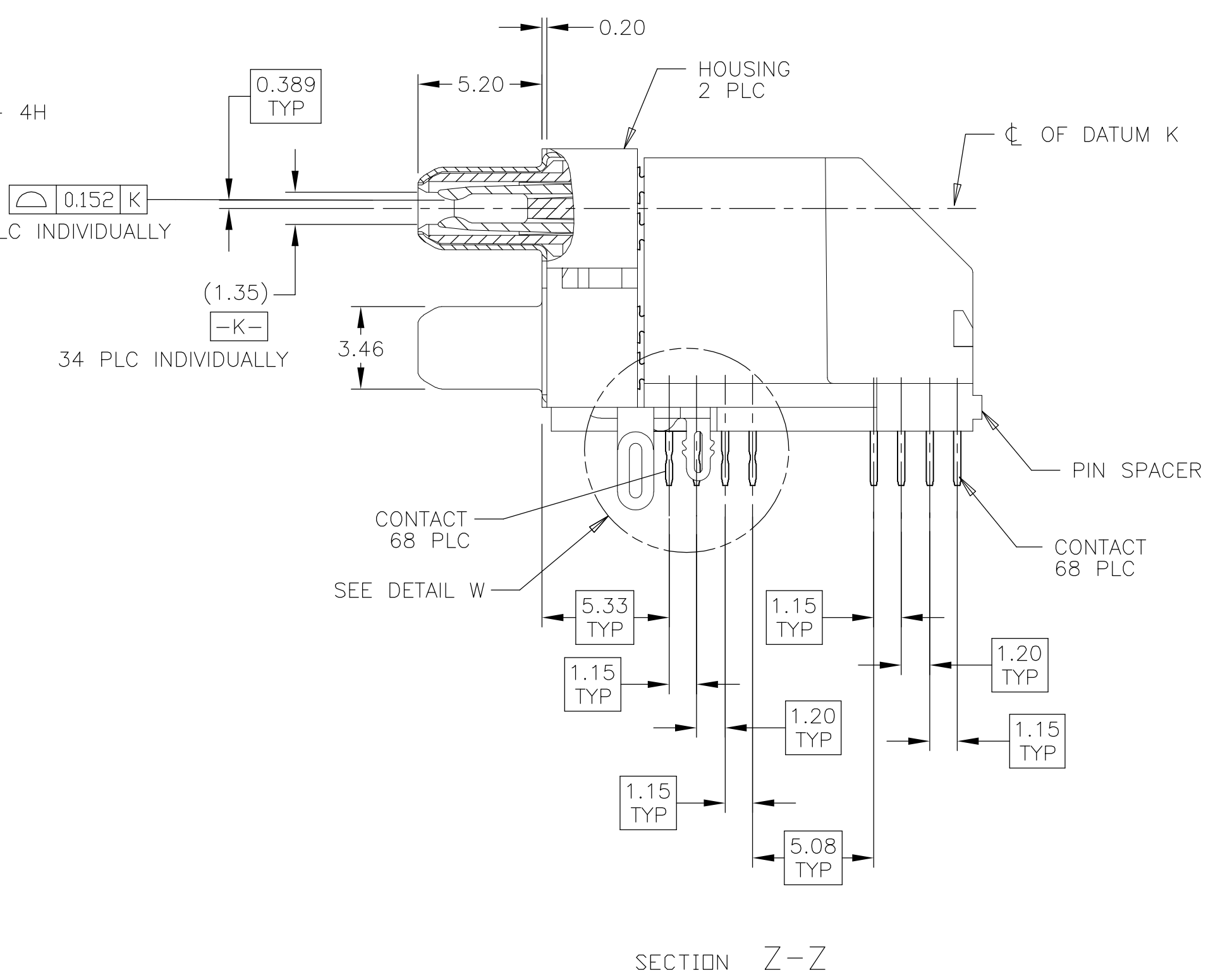
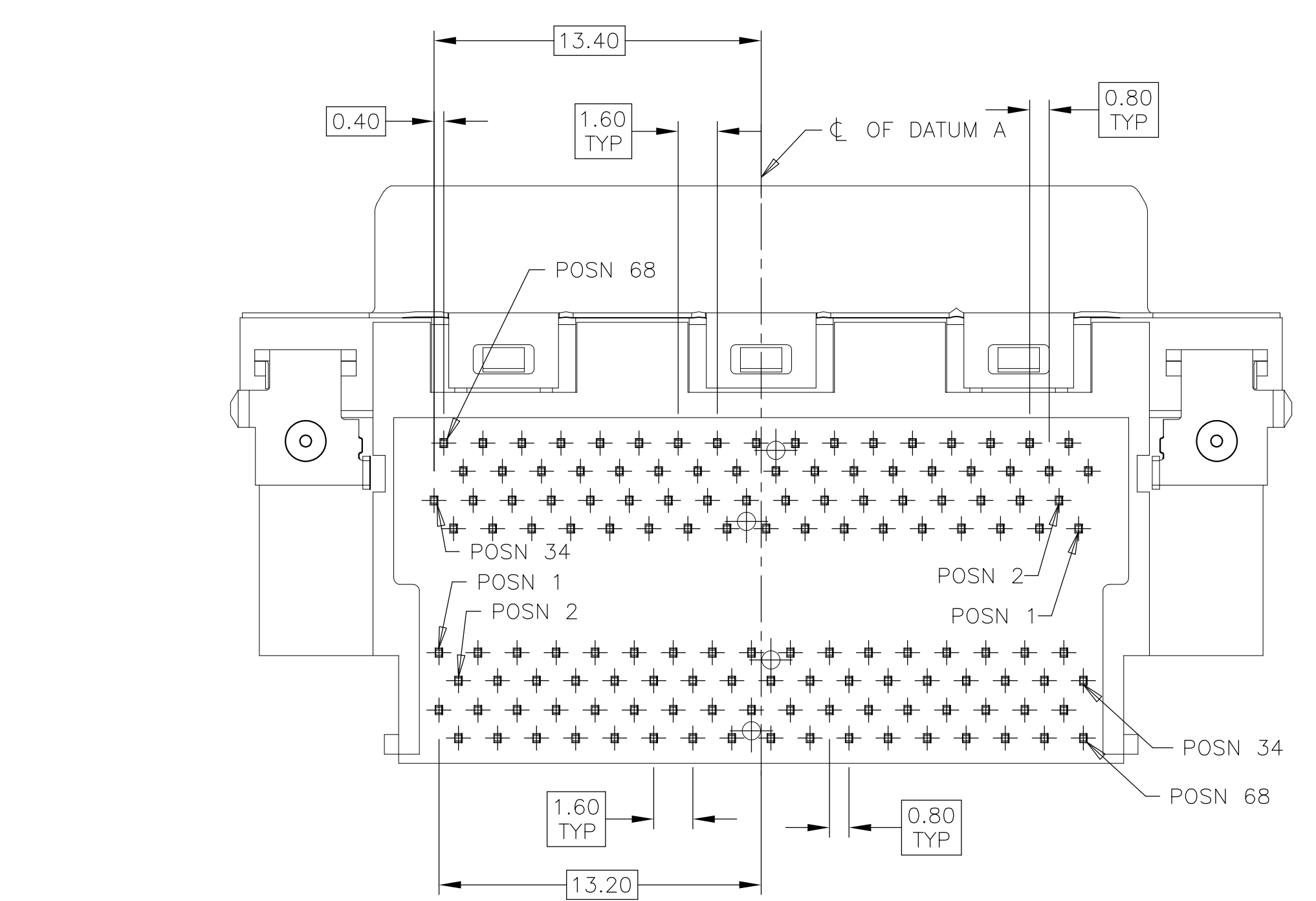
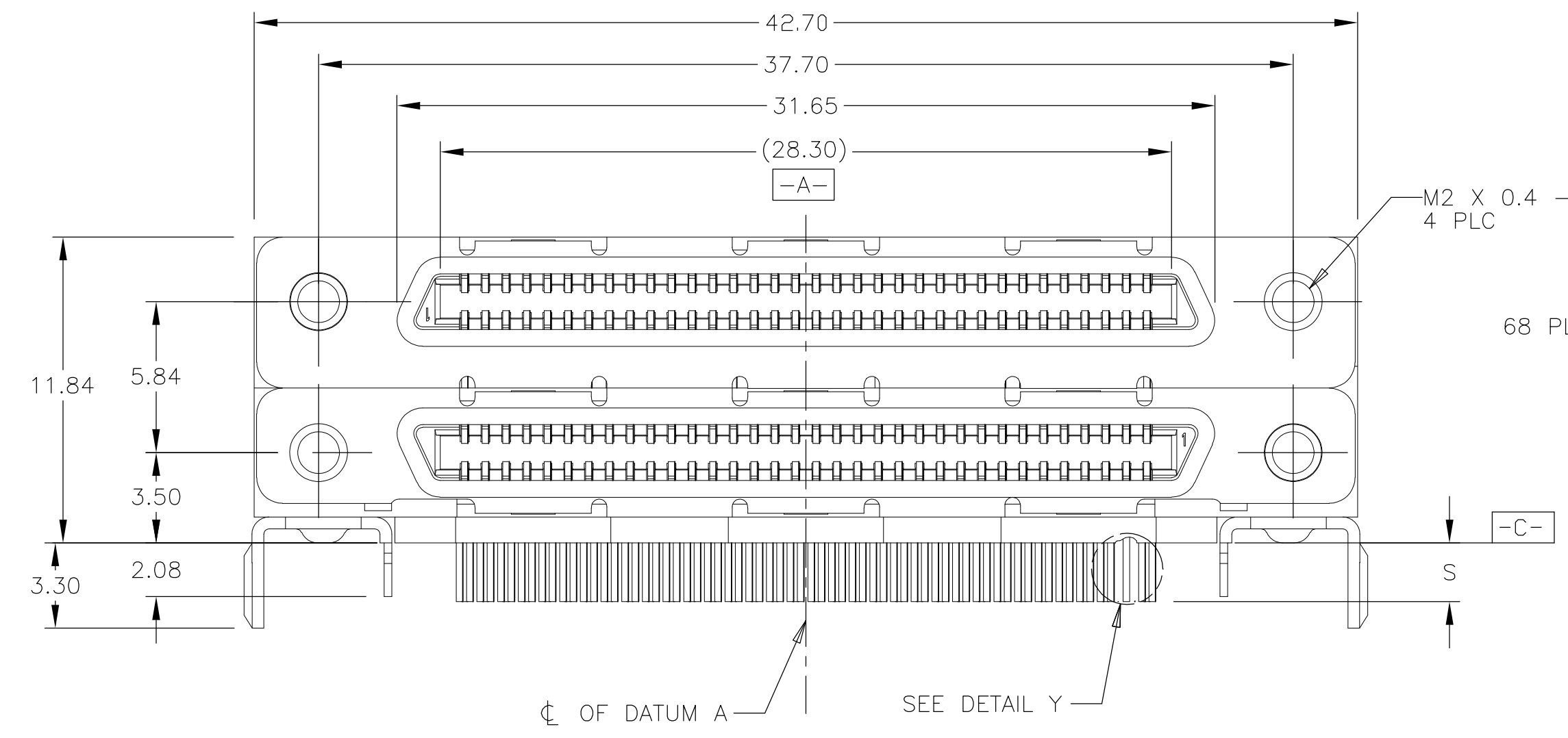
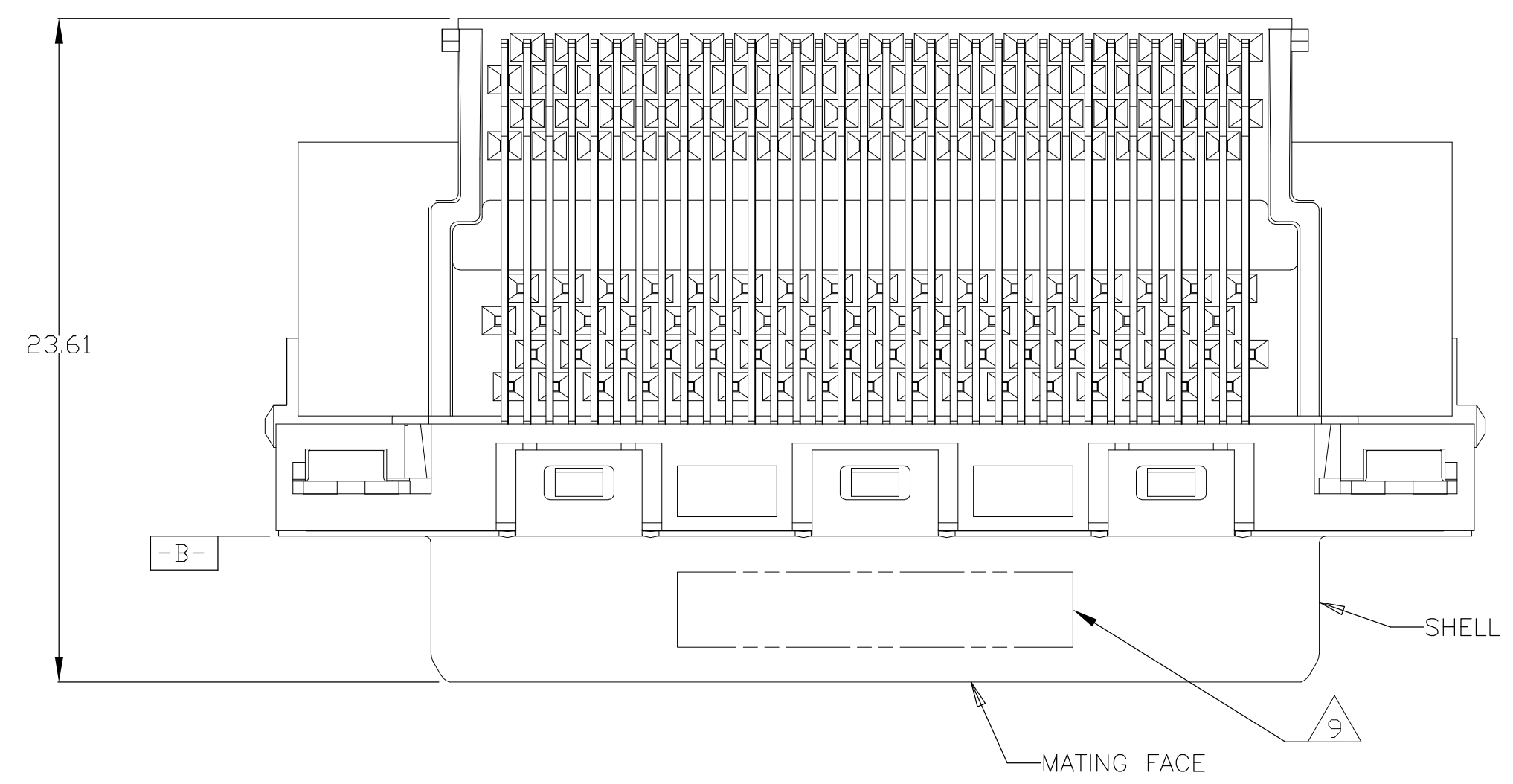
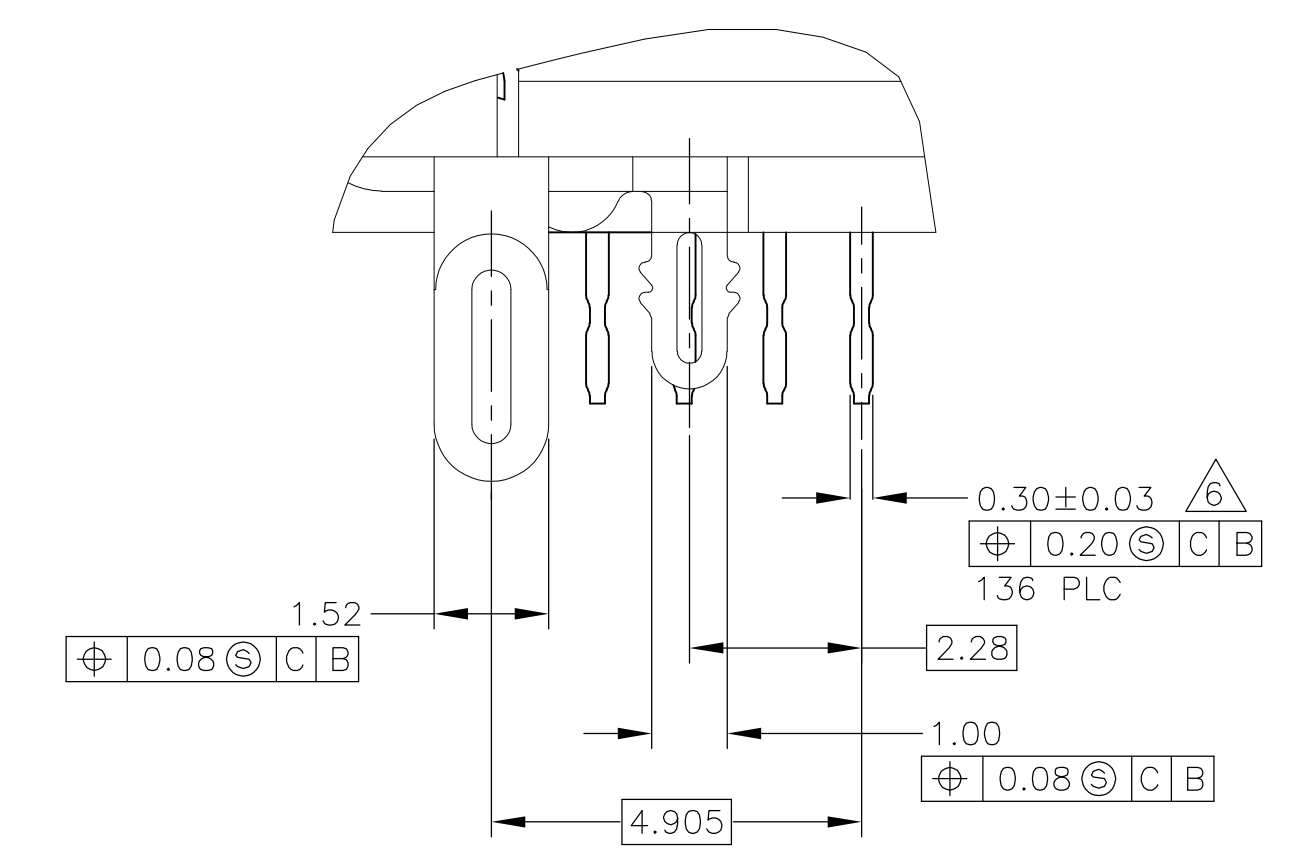


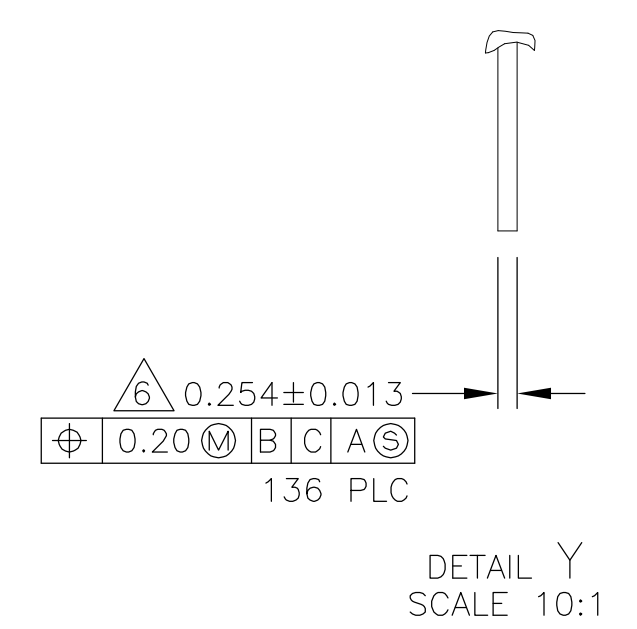
LOC		DIST		REVISIONS			
GP	00	IF	LTR	DESCRIPTION	DATE	DRN	APVD
C				REVISED PER ECO-09-001695	8FEB2009	ZMR	EDB



- ⚠ MOLDED PARTS: THERMOPLASTIC, BLACK, UL 94V-0 RATED.
SHELL: CARBON STEEL.
CONTACTS: PHOSPHOR BRONZE.
BRACKETS: STEEL.
- ⚠ SHELL: 5.08μm MIN NICKEL OVER 2.54μm MIN COPPER.
CONTACTS: 0.76μm MIN GOLD ON MATING END, 3.75μm MIN TIN ON SOLDER TAILS, BOTH OVER 1.27μm MIN NICKEL OVER ENTIRE CONTACT.
BRACKETS: TIN PLATED.
- 3. CONTACTS DESIGNED FOR USE ON 1.60±0.15 THICK PC BOARD WITH PLATED THRU MOUNTING HOLES.
- 4. RECEPTACLE ASSEMBLY DESIGNED FOR USE WITH 1.12±0.08 THICK PANEL.
- ⚠ DATUMS AND DIMENSIONS ESTABLISHED BY CUSTOMER.
- ⚠ POSITION TOLERANCE APPLIES AT CONTACT TIP ONLY.
- ⚠ OFFSET DIMENSION APPLIES TO LOWER FOOTPRINT ONLY.
- ⚠ CONTACTS DESIGNED FOR USE ON 2.35±0.15 THICK PC BOARD WITH PLATED THRU MOUNTING HOLES.
- ⚠ DATE CODE MARKED IN APPROXIMATE AREA SHOWN.



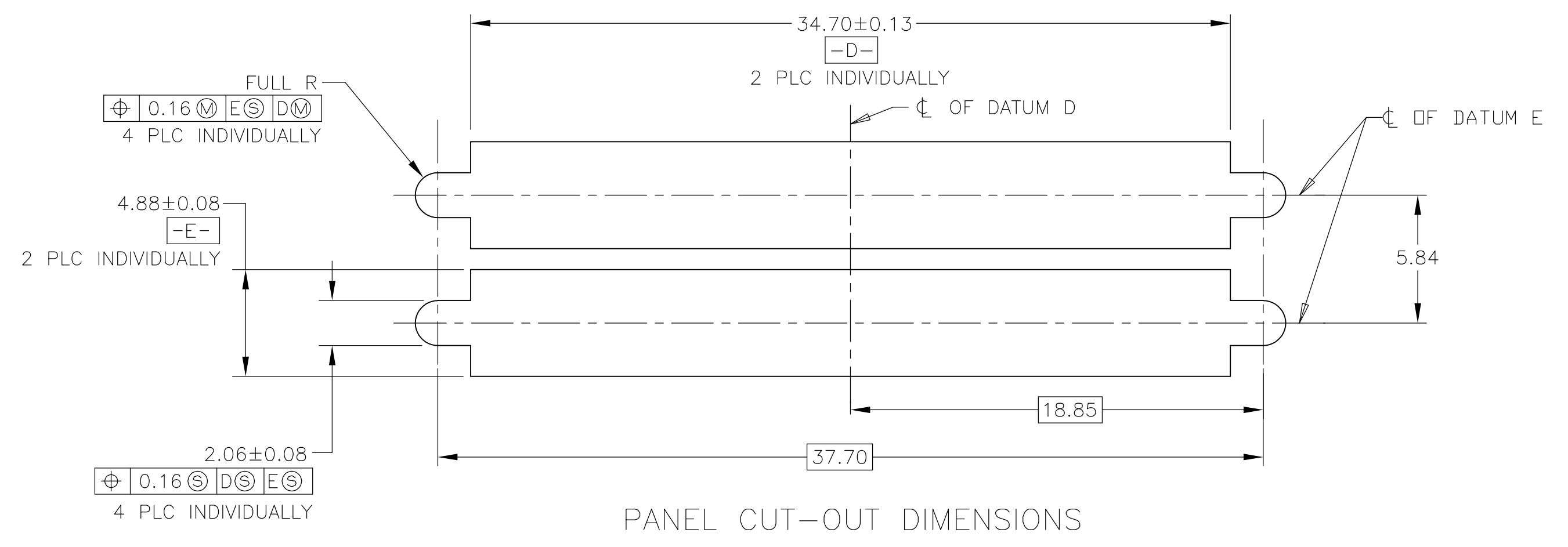
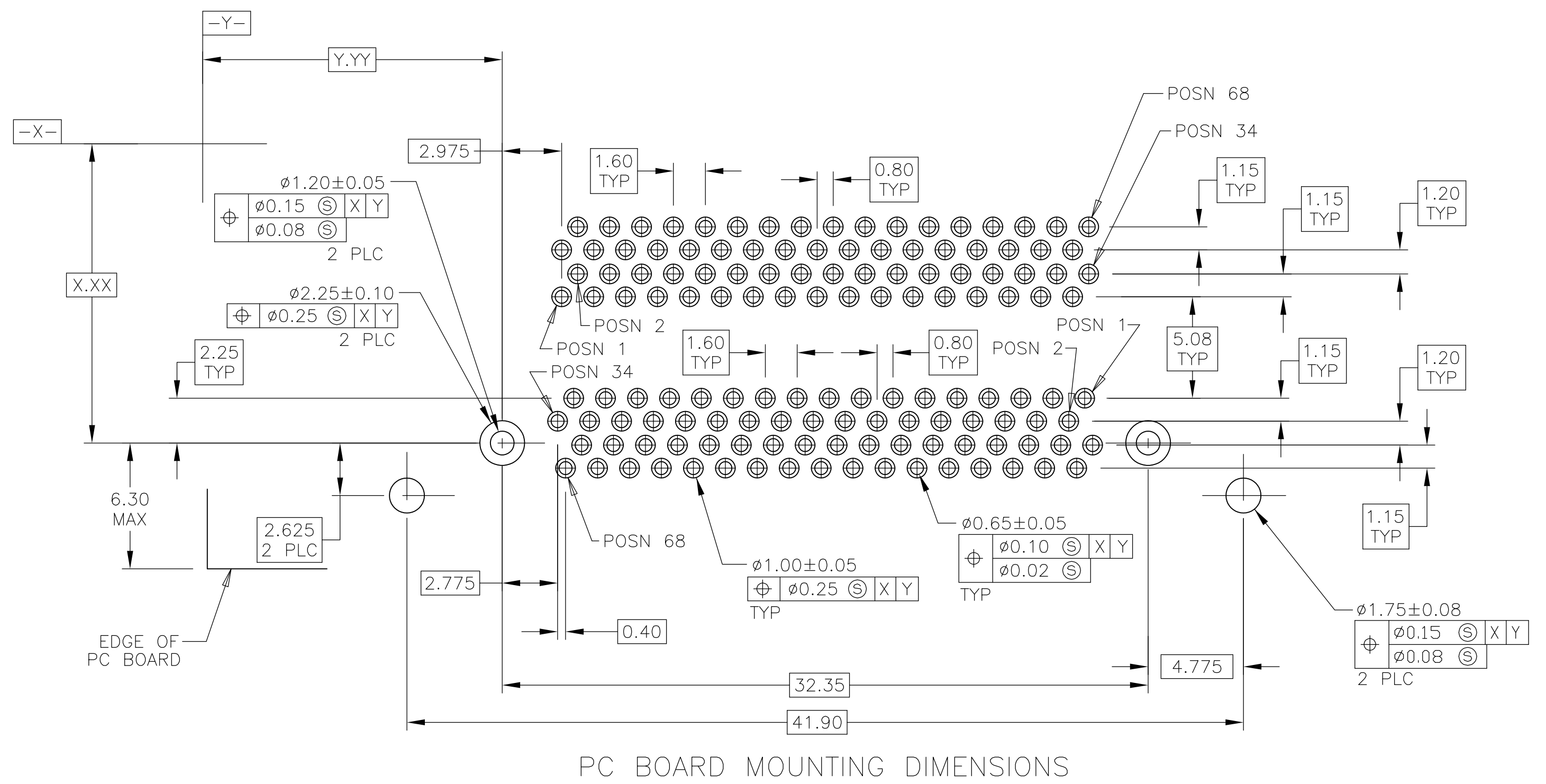
DETAIL W
SCALE 10:1



DETAIL Y
SCALE 10:1

REMARKS	3.55	5787962-2
	2.27	5787962-1
	S	PART NUMBER

THIS DRAWING IS A CONTROLLED DOCUMENT.		DWN J. GERACE 24JAN05	Tyco Electronics Corporation Harrisburg, PA 17105-3608	
DIMENSIONS: mm		CHK S. SHUEY 24JAN05	NAME M. WALMSLEY 24JAN05	
TOLERANCES UNLESS OTHERWISE SPECIFIED:		PRODUCT SPEC 108-1471-1		
0 PLC ± -	1 PLC ± -	APPLICATION SPEC 114-6057		
2 PLC ± 0.13	3 PLC ± -	SIZE A1	CAGE CODE 00779	DRAWING NO. 5787962
4 PLC ± -	ANGLES ± 1°	WEIGHT -	SCALE 5:1	SHEET 1 OF 2
MATERIAL		CUSTOMER DRAWING		



THIS DRAWING IS A CONTROLLED DOCUMENT.		DWN: J. GERACE 24JAN05	Tyco Electronics Tyco Electronics Corporation Harrisburg, PA 17105-3608
DIMENSIONS: mm		CHK: S. SHUEY 24JAN05	
TOLERANCES UNLESS OTHERWISE SPECIFIED:		PROD SPEC: 108-1471-1	PRODUCT SPEC: RECEPTACLE ASSEMBLY, RIGHT ANGLE, 68 POS, STACKED, CHAMP 0.8mm
0 PLC ± - 1 PLC ± - 2 PLC ± 0.13 3 PLC ± - 4 PLC ± - ANGLES ± 1°		APPLICATION SPEC: 114-6057	RESTRICTED TO: -
MATERIAL: -	FINISH: -	WEIGHT: -	SIZE: A1 CAGE CODE: 00779 DRAWING NO: C=5787962
CUSTOMER DRAWING		SCALE: 5:1	SHEET: 2 OF 2 REV: C