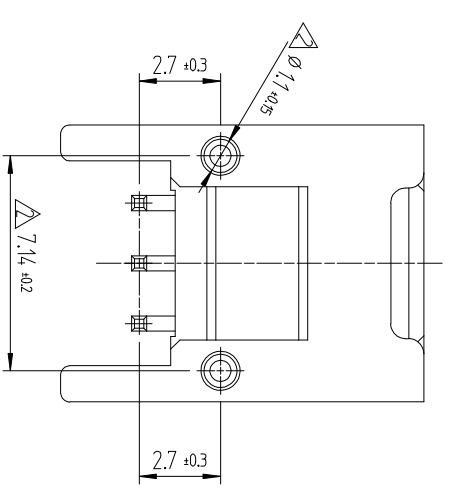
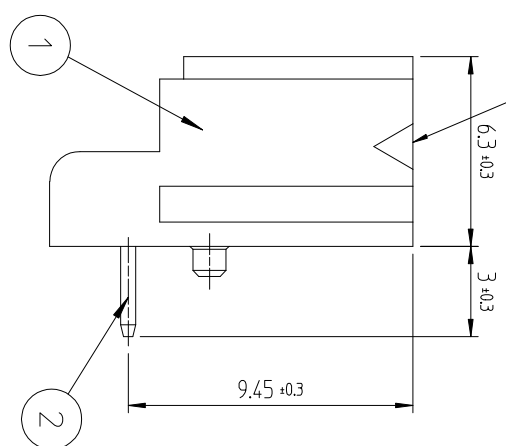
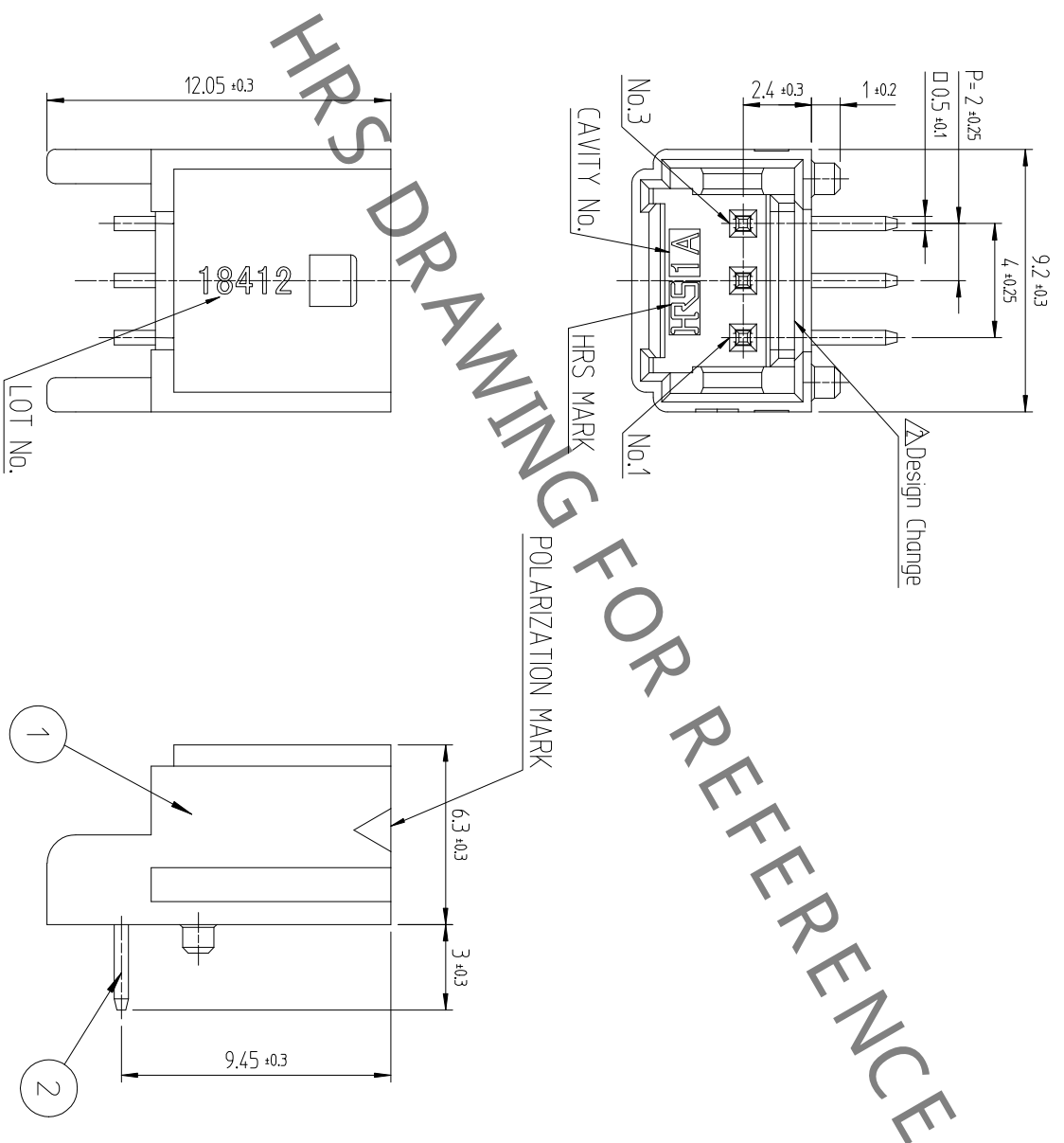
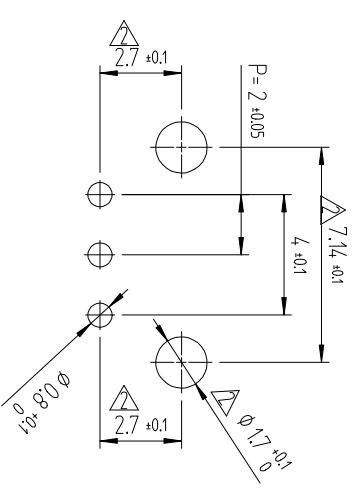
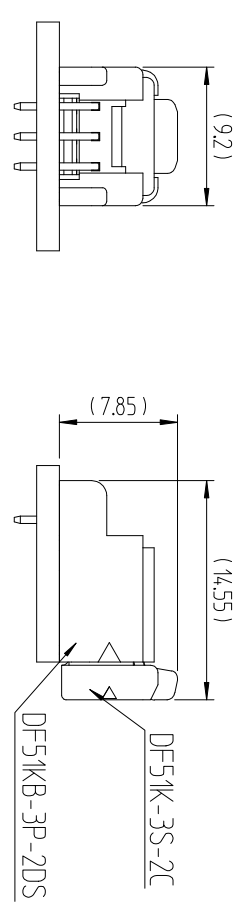


△数	訂正事項	検出	年月日	△数	訂正事項	検出	年月日
COUNT	DESCRIPTION OF REVISIONS	BY	DATE	COUNT	DESCRIPTION OF REVISIONS	BY	DATE
1	RE-6-1150	K.I.Y	18. 07. 04				
2	RE-6-1485	K.Y.H	19. 06. 19				
3	RE-6-1579	K.I.Y	20. 01. 23				

RECOMMENDED LAND PATTERN (FREE)  
 (PCB THICKNESS t=1.6mm)



ENGAGEMENT FIGURE (2:1)



- NOTE 1. 1PACK CONTAINS 330PCS.  
 2. ( ) DIMENSIONS ARE ONLY REFERENCE.  
 3. UL(UL-File No. E132750) AUTHORIZATION ARTICLE.  
 C-UL(UL-File No. E132750) AUTHORIZATION ARTICLE.



1	PBT	UL94V-0, BLACK	2	BRASS	TIN PLATING 1μm MIN, OVER NICKEL 0.5μm MIN
NO.	MATERIAL	FINISH/REMARKS	NO.	MATERIAL	FINISH/REMARKS
CODE NO. (OLD)		DRAWN	CODE NO.		RELEASED
		CHOI (18.03.02) J.S			ENG (20.02.12) DEPT
		DESIGNED			
		CHOI (18.03.02) J.S			
		CHECKED			
		LIM (18.03.02) S.M			
		APPROVED			
		KANG (18.03.02) T.S			
DRAWING NO.		PART NO.			
EDC3-632472		DF51KB-3P-2DS(800)			
SCALE					
4:1					
UNITS					
mm					
HRS HIROSE KOREA CO.,LTD.					
CL 6652-0062-6-800					

1 2 3 4 5 6 7 8

A B C D E F