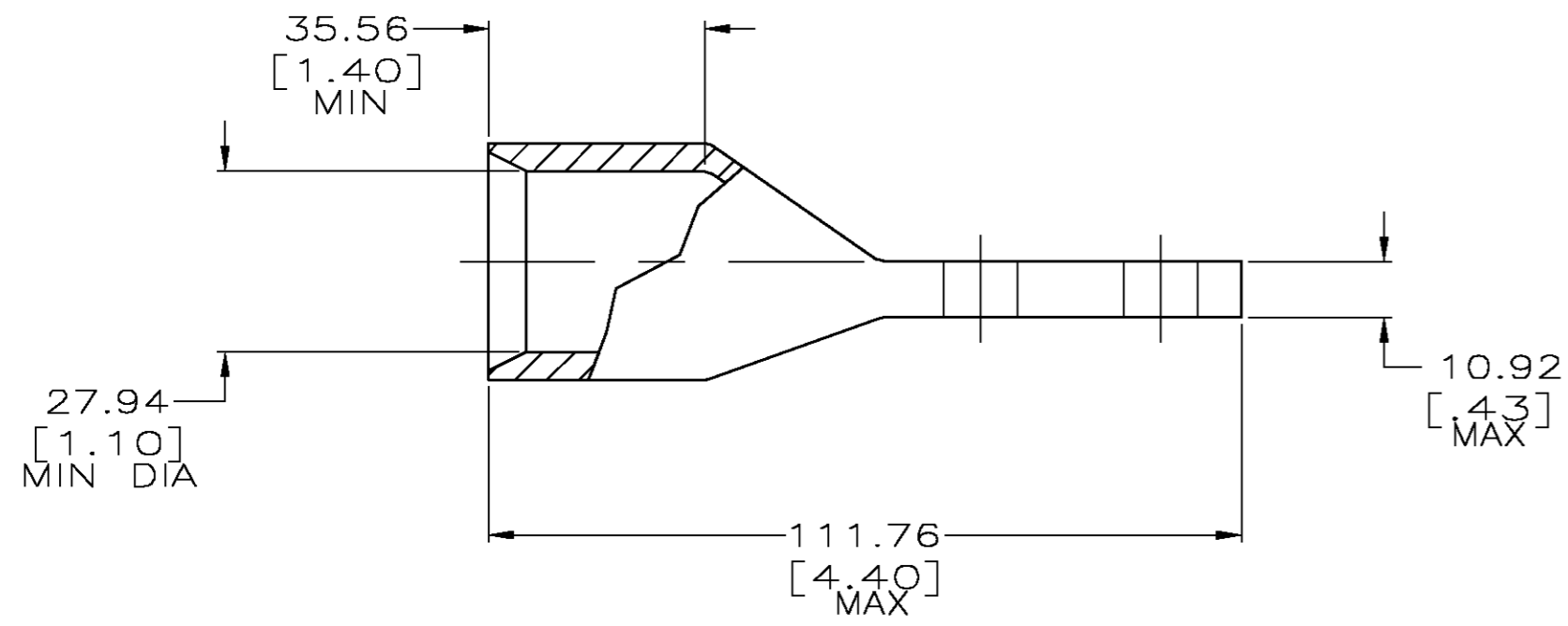
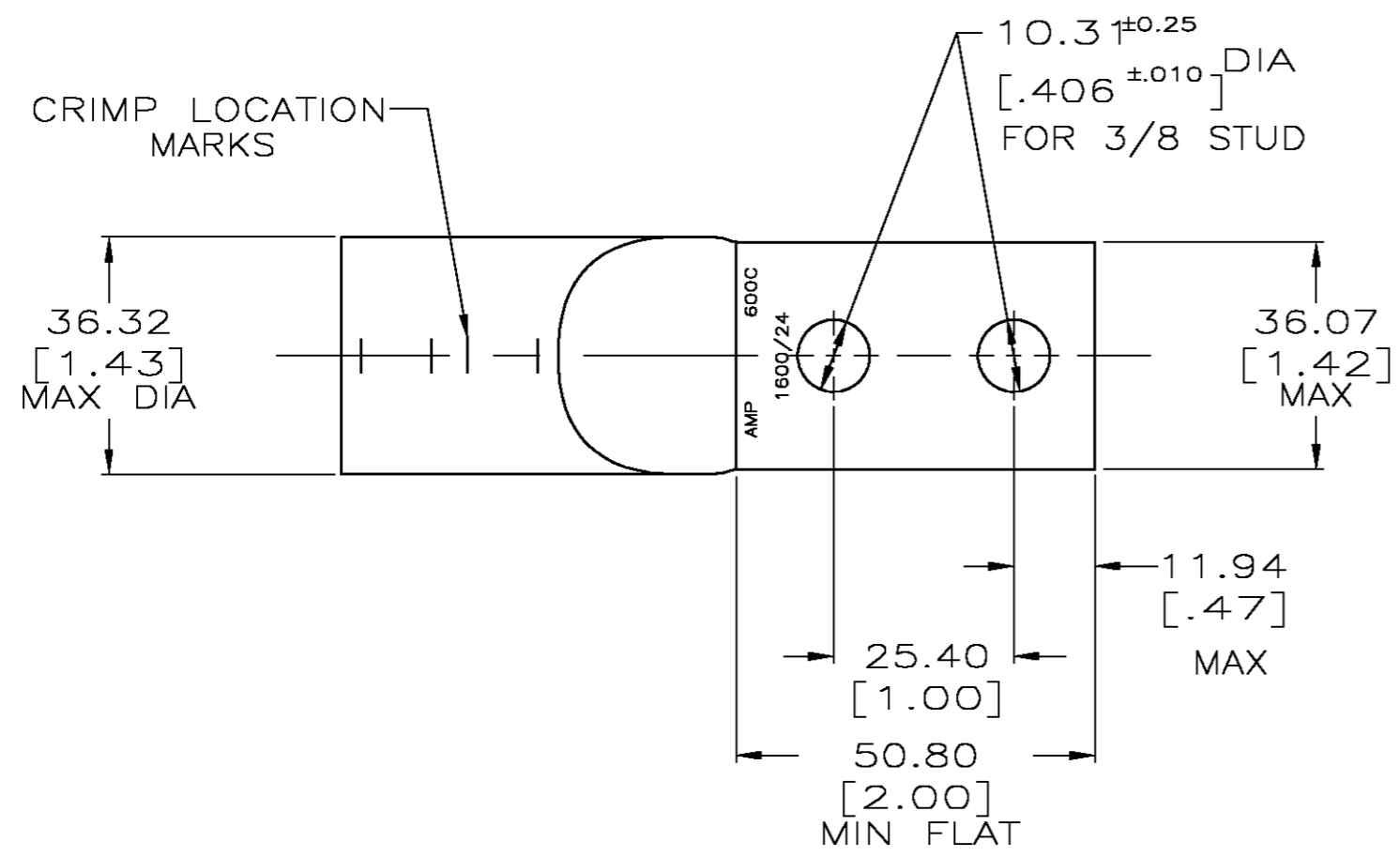


THIS DRAWING IS UNPUBLISHED. RELEASED FOR PUBLICATION
 © COPYRIGHT BY TYCO ELECTRONICS CORPORATION. ALL RIGHTS RESERVED.

LOC	DIST	REVISIONS			JR/MS		
G	86	P	LTR	DESCRIPTION	DATE	DWN	APVD
		C		REV PER 0G3A-0130-04	23FEB04	JR	MS



- 1 TIN PL 0.00381[.000150] MIN THK PER ASTM B-545
- 2 CIRCULAR MIL RANGE: 550-650 MCM
- 3 CRIMP DIES: USE P/N 59870-1 (600HD MCM)

55830-2
 PART NO

THIS DRAWING IS A CONTROLLED DOCUMENT.		DWN DK SCHRUM 1/17/92	Tyco Electronics Corporation Harrisburg, Pa 17105-3608	
DIMENSIONS: INCHES		CHK AJ KAUFMAN 1/17/92		
TOLERANCES UNLESS OTHERWISE SPECIFIED:		APVD CR RHOADS 1/17/92	NAME	
0 PLC ± -	1 PLC ± -	PRODUCT SPEC	TERMINAL, CENTER LINE	
2 PLC ± 0.51[.020]	3 PLC ± -	APPLICATION SPEC	TONGUE, AMPPOWER,	
4 PLC ± -	ANGLES ± -		WIRE SIZE: 304.0mm[600] MCM	
MATERIAL COPPER ASTM B-75 ANNEALED	FINISH - 1	WEIGHT -	SIZE A2	CAGE CODE 00779
CUSTOMER DRAWING			DRAWING NO C=55830	RESTRICTED TO -
SCALE 1:1			SHEET 1 OF 1	REV C

55830