

1-2103177-1 ✓ ACTIVE

HVA 280

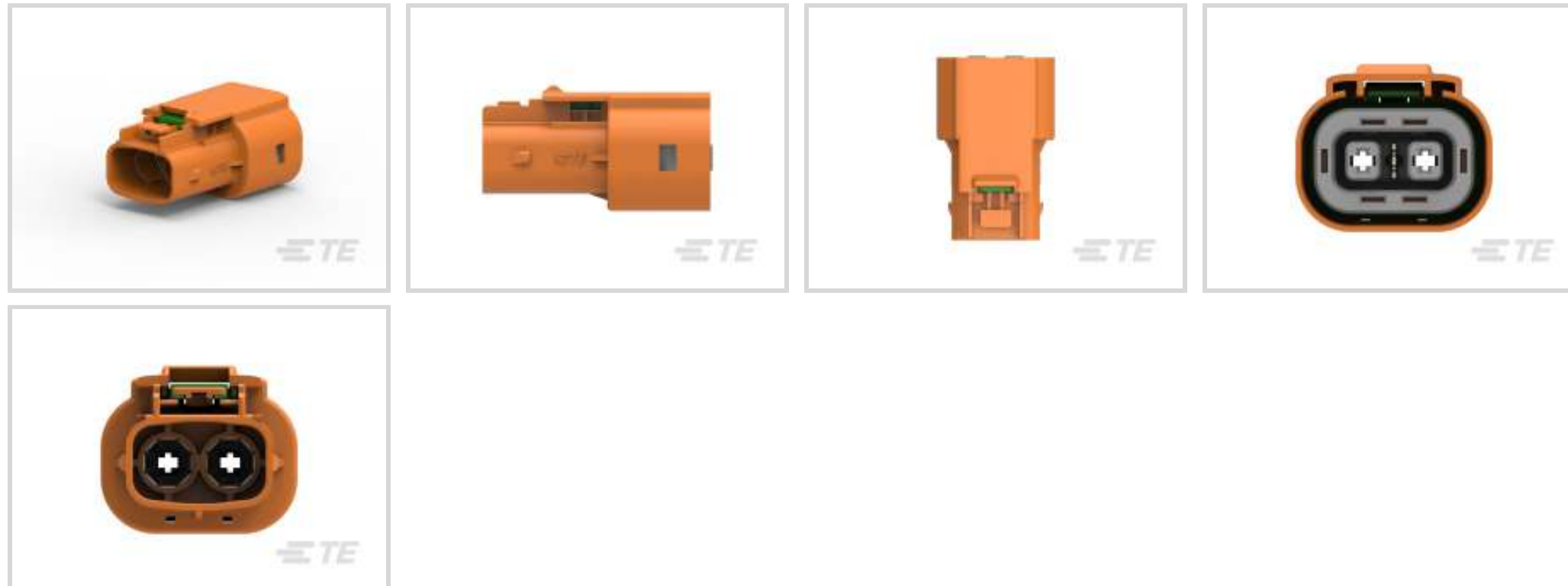
TE Internal #: 1-2103177-1

Housing for Female Terminals, Wire-to-Board / Wire-to-Device, 2 Position, .409 in [10.4 mm] Centerline, Sealable, Orange, Signal, HVA 280

[View on TE.com >](#)



Connectors > Automotive Connectors > Automotive Housings



Connector & Housing Type: **Housing for Female Terminals**

Mating Tab Width: **2.8 mm [.11 in]**

Connector System: **Wire-to-Board, Wire-to-Device**

Number of Positions: **2**

Centerline (Pitch): **10.4 mm [.409 in]**

Features

Product Type Features

| | |
|--------------------------|-------------------------------|
| Connector Shape | Rectangular |
| Connector & Housing Type | Housing for Female Terminals |
| Connector System | Wire-to-Board, Wire-to-Device |
| Sealable | Yes |
| Hybrid Connector | No |
| Primary Locking Feature | On the Terminal |

Configuration Features

| | |
|---------------------|---|
| Number of Positions | 2 |
|---------------------|---|

Electrical Characteristics

| | |
|------------------------------|---|
| Operating Voltage | 600 VAC |
| Nominal Voltage Architecture | 12 V, 24 V, 42 V, 48 V, 80 V, 90 V, 125 V, 240 V, 500 V, 550 V, 600 V |

Body Features

| | |
|------------------|------|
| Cable Exit Angle | 180° |
|------------------|------|



| | |
|-----------------------|--------|
| Primary Product Color | Orange |
|-----------------------|--------|

| | |
|-------------------------|---|
| Connector & Keying Code | A |
|-------------------------|---|

Contact Features

| | |
|--------------|-------|
| Contact Size | 2.8mm |
|--------------|-------|

| | |
|--------------|------------|
| Contact Type | Receptacle |
|--------------|------------|

| | |
|------------------|----------------|
| Mating Tab Width | 2.8 mm[.11 in] |
|------------------|----------------|

Mechanical Attachment

| | |
|-----------------------------|----|
| Terminal Position Assurance | No |
|-----------------------------|----|

| | |
|---------------|---------|
| Strain Relief | Without |
|---------------|---------|

| | |
|-----------------------|-------|
| Mating Alignment Type | Keyed |
|-----------------------|-------|

| | |
|------------------|------|
| Mating Alignment | With |
|------------------|------|

| | |
|-------------------------|----------------------------|
| Connector Mounting Type | Cable Mount (Free-Hanging) |
|-------------------------|----------------------------|

Housing Features

| | |
|------------------|-------|
| Housing Material | PA GF |
|------------------|-------|

| | |
|--------------------|------------------|
| Centerline (Pitch) | 10.4 mm[.409 in] |
|--------------------|------------------|

Dimensions

| | |
|------------------|------------------|
| Connector Height | 26.4 mm[1.03 in] |
|------------------|------------------|

| | |
|---------------|------------------|
| Product Width | 32.9 mm[1.29 in] |
|---------------|------------------|

| | |
|----------------|-------------------|
| Product Length | 51.25 mm[2.01 in] |
|----------------|-------------------|

Usage Conditions

| | |
|-----------------------------|--|
| Operating Temperature (Max) | 70 °C, 75 °C, 80 °C, 85 °C[158 °F][167 °F] [176 °F][185 °F] |
|-----------------------------|--|

| | |
|-----------------------------|---------------------------|
| Operating Temperature Range | -40 – 85 °C[-40 – 185 °F] |
|-----------------------------|---------------------------|

Operation/Application

| | |
|---------------------|--------|
| Circuit Application | Signal |
|---------------------|--------|

Industry Standards

| | |
|----------------------|--------|
| Degree of Protection | IP6K9K |
|----------------------|--------|

| | |
|-----------------|---------|
| Agency/Standard | USCAR-2 |
|-----------------|---------|

Packaging Features

| | |
|--------------------|---|
| Packaging Quantity | 1 |
|--------------------|---|

| | |
|------------------|---------|
| Packaging Method | Package |
|------------------|---------|

Other



| | |
|--------------------------------------|-----|
| Serviceable | Yes |
| Connector Position Assurance Capable | Yes |

Product Compliance

[For compliance documentation, visit the product page on TE.com>](#)

| | |
|---|---|
| EU RoHS Directive 2011/65/EU | Compliant |
| EU ELV Directive 2000/53/EC | Compliant |
| China RoHS 2 Directive MIIT Order No 32, 2016 | No Restricted Materials Above Threshold |
| EU REACH Regulation (EC) No. 1907/2006 | Current ECHA Candidate List: JUNE 2023 (235) Candidate List Declared Against: JUNE 2023 (235) Does not contain REACH SVHC |
| Halogen Content | Low Halogen - Br, Cl, F, I < 900 ppm per homogenous material. Also BFR/CFR/PVC Free |
| Solder Process Capability | Not reviewed for solder process capability |

Product Compliance Disclaimer

This information is provided based on reasonable inquiry of our suppliers and represents our current actual knowledge based on the information they provided. This information is subject to change. The part numbers that TE has identified as EU RoHS compliant have a maximum concentration of 0.1% by weight in homogenous materials for lead, hexavalent chromium, mercury, PBB, PBDE, DBP, BBP, DEHP, DIBP, and 0.01% for cadmium, or qualify for an exemption to these limits as defined in the Annexes of Directive 2011/65/EU (RoHS2). Finished electrical and electronic equipment products will be CE marked as required by Directive 2011/65/EU. Components may not be CE marked. Additionally, the part numbers that TE has identified as EU ELV compliant have a maximum concentration of 0.1% by weight in homogenous materials for lead, hexavalent chromium, and mercury, and 0.01% for cadmium, or qualify for an exemption to these limits as defined in the Annexes of Directive 2000/53/EC (ELV). Regarding the REACH Regulation, the information TE provides on SVHC in articles for this part number is based on the latest European Chemicals Agency (ECHA) 'Guidance on requirements for substances in articles' posted at this URL: <https://echa.europa.eu/guidance-documents/guidance-on-reach>

Compatible Parts

| | | | |
|---|---|--|--|
|  <p>TE Part # 2103124-1 HVA280 2P HEADER ASSY, KEY A</p> |  <p>TE Part # 2103181-2 CABLE SEAL RTNR, SIZE B, HVA280-2PI XE</p> |  <p>TE Part # 1587828-3 INNER FERRULE, SIZE C, HVA280-2PI</p> |  <p>TE Part # 1587829-2 OUTER FERRULE, SIZE B, HVA280-2PI</p> |
|---|---|--|--|




TE Part # 2103181-1
CABLE SEAL RTNR, SIZE A, HVA280-2PI XE



TE Part # 2103181-3
CABLE SEAL RTNR, SIZE C, HVA280-2PI XE



TE Part # 1587828-2
INNER FERRULE, SIZE B, HVA280-2PI



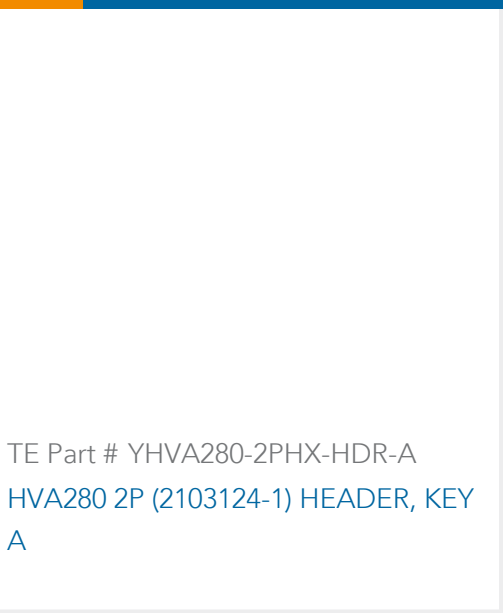
TE Part # 1587829-3
OUTER FERRULE, SIZE C, HVA280-2PI



TE Part # 2103414-1
SHIPPING CAP TYPE 1, PLUG, HVA280




TE Part # 1587826-1
CABLE SEAL, SIZE A, HVA280-2PI



TE Part # YHVA280-2PHX-HDR-A
HVA280 2P (2103124-1) HEADER, KEY A


Also in the Series | **HVA 280**




Automotive Connector Caps & Covers (5)



Automotive Connector EMC Shielding (15)



Automotive Housings (78)




Connector Seals & Cavity Plugs (8)



Electric, Hybrid & Fuel Cell Cable Assemblies (6)



High Voltage Wire Processing Equipment (7)

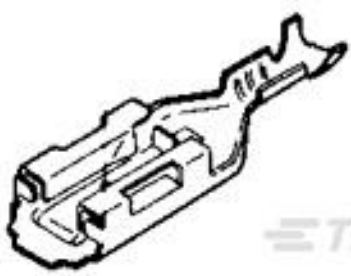


Other Automotive Connector Accessories (37)



PCB Headers & Receptacles (37)

Customers Also Bought



TE Part #170452-1
PL 250 AM REC 22-20 AWG 0.406 X 21 BR



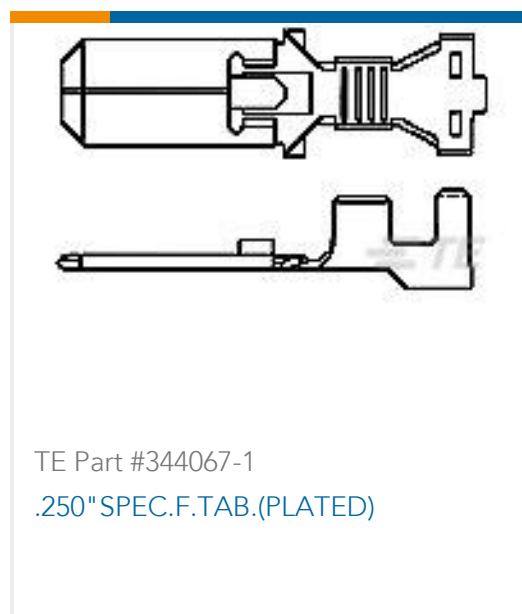
TE Part #6-176146-6
.187 PLUG HSG ASSY 2P GRAY



TE Part #1717109-2
0.64 III 16POS PLUG ASSY



TE Part #316832-1
040-3 SEALED CONT. REC. S



Documents

Product Drawings

[PLUG ASSY, KEY A, TA, HVA280-2PHI XE](#)

English

[PLUG ASSY, KEY A, TA, HVA280-2PHI XE](#)

English

CAD Files

[3D PDF](#)

3D

Customer View Model

[ENG_CVM_CVM_1-2103177-1_B_c-1-2103177-1-b.2d_dxf.zip](#)

English

Customer View Model

[ENG_CVM_CVM_1-2103177-1_B_c-1-2103177-1-b.3d_igs.zip](#)

English

Customer View Model

[ENG_CVM_CVM_1-2103177-1_B_c-1-2103177-1-b.3d_stp.zip](#)

English

By downloading the CAD file I accept and agree to the [Terms and Conditions](#) of use.

Product Specifications

[Application Specification](#)

English