

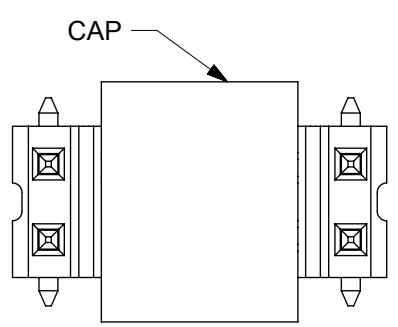
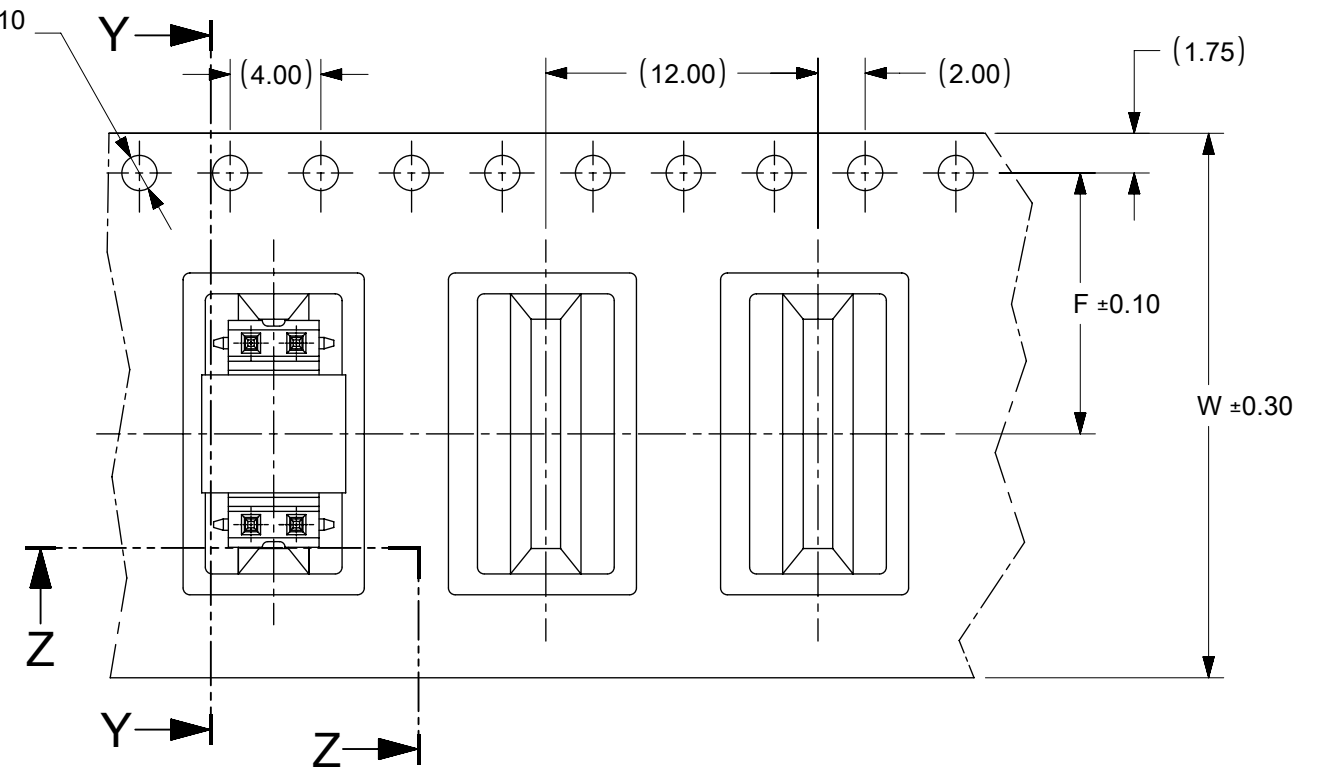
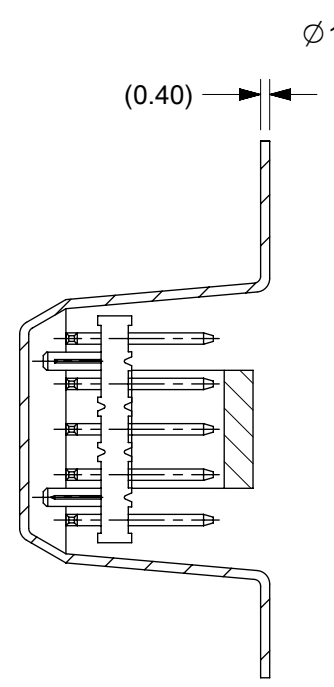
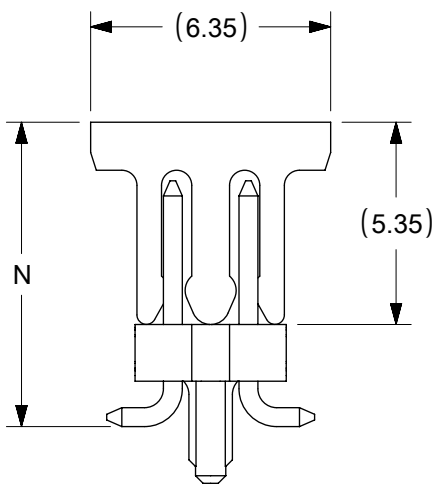
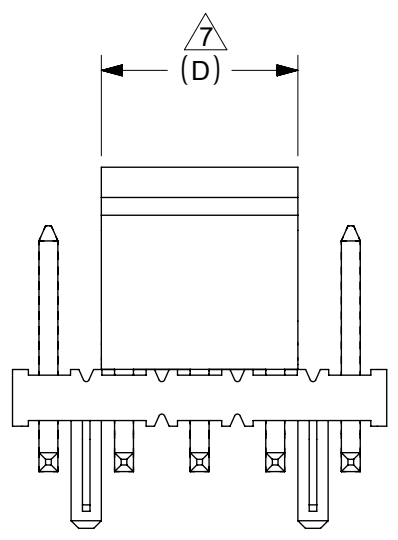
NOTE:

1. MATERIAL:
HSG & CAP - NYLON, GLASS-FILLED, UL 94V-0, COLOUR BLACK
PIN - 0.50 SQ. PHOSPHOR BRONZE
2. PLATING OPTION:
1: 0.38µm MIN. GOLD PLATE AT CONTACT AREA, TIN PLATE AT SOLDER AREA, BOTH OVER NICKEL UNDERPLATE
2: 0.05-0.25µm MIN. GOLD PLATE AT CONTACT AREA, TIN PLATE AT SOLDER AREA, BOTH OVER NICKEL UNDERPLATE
3. PIN PUSHOUT FORCE: 1kg MIN. IN EITHER DIRECTION.
4. PRODUCT SPEC PS-87761-100 APPLIES.
5. BEND DEPRESSION IS ACCEPTABLE SO LONG AS IT DOES NOT AFFECT THE OVERALL COPLANARITY OF TAIL.
6. COPLANARITY IS TO BE MEASURED BY RESTING THE SOLDER TAIL ON A GAUGE SURFACE.
7. CAP TO BE LOCATED AS CENTRAL OF PART AS POSSIBLE
TOP SURFACE OF CAP TO BE FLAT FOR THE PURPOSE OF PICK & PLACE BY VACUUM SUCTION NOZZLE.
8. FOR ILLUSTRATION PURPOSES, 10CKT IS SHOWN (WITH TAPE & REEL ON 2ND SHEET). SHT 3 INDICATES THE TYPE OF EMBOSSED USED IN GENERAL.
9. TUBE LENGTH IS 560MM REF STANDARD.
10. RECOMMENDED PCB BOARD THK IS 1.60±0.10 MM.

THIS DRAWING CONTAINS INFORMATION THAT IS PROPRIETARY TO MOLEX ELECTRONIC TECHNOLOGIES, LLC AND SHOULD NOT BE USED WITHOUT WRITTEN PERMISSION									
DIMENSION UNITS		SCALE		CURRENT REV DESC:				molex	
mm		NTS							
GENERAL TOLERANCES (UNLESS SPECIFIED)				EC NO: 699037				CUSTOM HEADER	
				DRWN: DANUSA 2021/11/26				MGRID, 2MM DUAL ROW HDR WITH PEG, SMT	
4 PLACES ±				CHK'D: DANUSA 2022/03/10				PRODUCT CUSTOMER DRAWING	
3 PLACES ±				APPR: MRAMAKRISHNA 2022/03/10					
2 PLACES ± 0.2				INITIAL REVISION:				DOCUMENT NUMBER	
1 PLACE ±				DRWN: KSEE 2003/12/22				SD-87759-208	
0 PLACES ±				APPR: MLONG 2009/12/17				DOC TYPE DOC PART REVISION	
ANGULAR TOL ± 3.0°				DRAFT WHERE APPLICABLE MUST REMAIN WITHIN DIMENSIONS		THIRD ANGLE PROJECTION		MATERIAL NUMBER CUSTOMER SHEET NUMBER	
P1		RELEASE DATE 2022/03/10 13:29:35		A3-SIZE		87759		SEE TABLE GENERAL MARKET 1 OF 4	

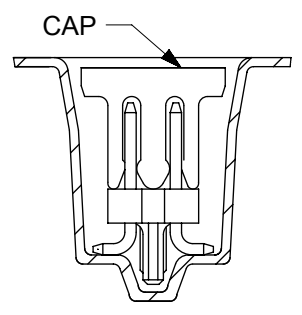
CAP TYPE	D
C1	5.20
C2	4.60

EMBOSED TYPE "A"
PART WITH CAP IN TAPE & REEL ORIENTATION

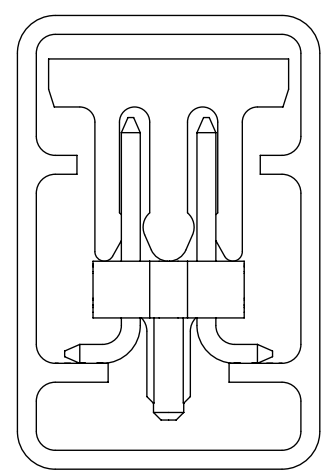


SECTION Y-Y

CUSTOMER
PULL OUT DIRECTION



SECTION Z-Z

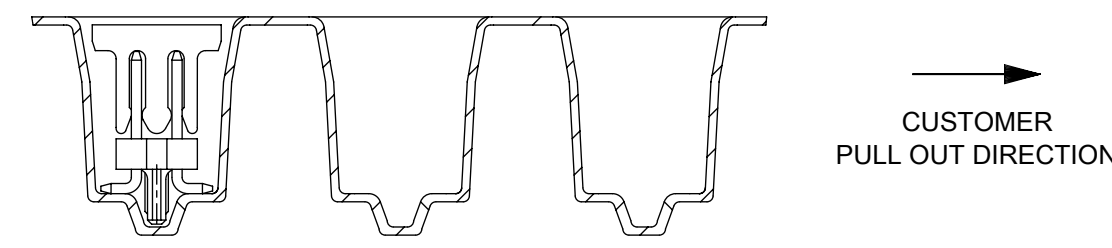
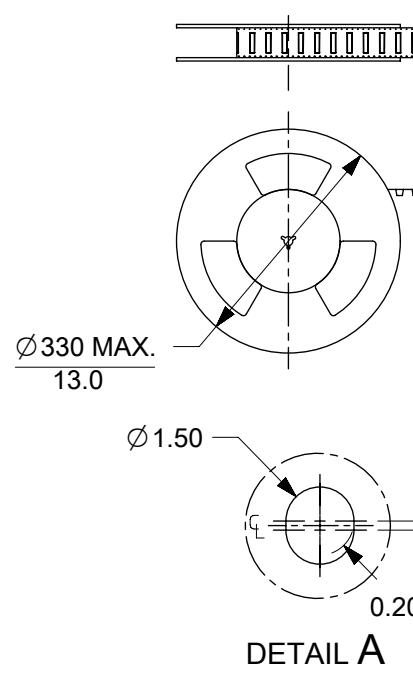
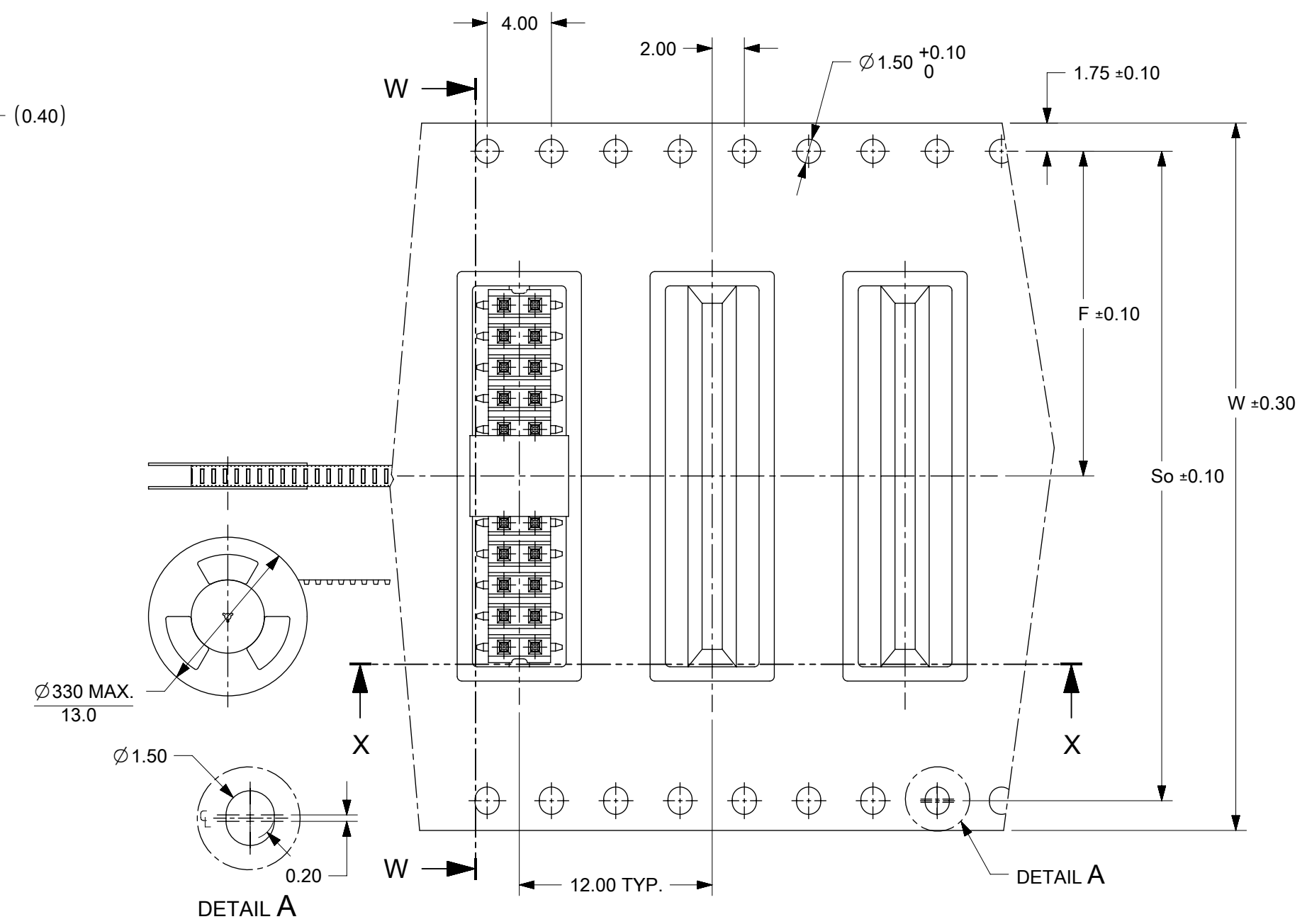
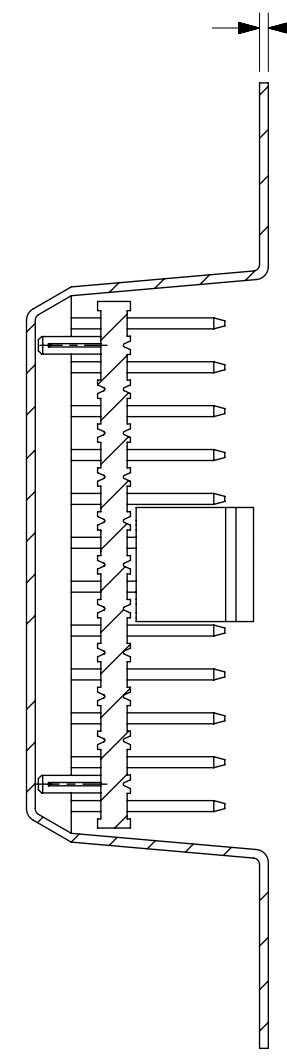


PART WITH CAP IN
TUBE ORIENTATION

THIS DRAWING CONTAINS INFORMATION THAT IS PROPRIETARY TO MOLEX ELECTRONIC TECHNOLOGIES, LLC AND SHOULD NOT BE USED WITHOUT WRITTEN PERMISSION									
DIMENSION UNITS		SCALE		CURRENT REV DESC:				molex	
mm		NTS							
GENERAL TOLERANCES (UNLESS SPECIFIED)				EC NO: 699037		CUSTOMER		CUSTOMER	
		MM	INCH	DRWN: DANUSA 2021/11/26		MGRID, 2MM DUAL ROW HDR WITH PEG, SMT			
4 PLACES		±	±	CHK'D: DANUSA 2022/03/10		PRODUCT CUSTOMER DRAWING			
3 PLACES		±	±	APPR: MRAMAKRISHNA 2022/03/10					
2 PLACES		± 0.2	±	INITIAL REVISION:		DOCUMENT NUMBER		DOC TYPE	DOC PART
1 PLACE		±	±	DRWN: KSEE 2003/12/22		SD-87759-208		PSD	001
0 PLACES		±	±	APPR: MLONG 2009/12/17					D7
ANGULAR TOL		± 3.0°		DRAFT WHERE APPLICABLE MUST REMAIN WITHIN DIMENSIONS		THIRD ANGLE PROJECTION	DRAWING	SERIES	MATERIAL NUMBER
							A3-SIZE	87759	SEE TABLE
									CUSTOMER
									GENERAL MARKET
									SHEET NUMBER
									2 OF 4

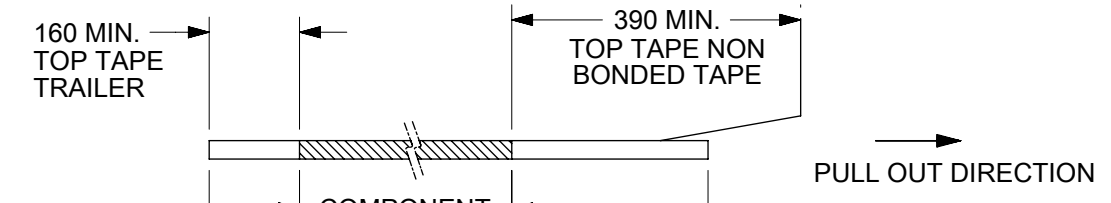
EMBOSED TYPE "B"

PART WITH CAP IN
TAPE & REEL ORIENTATION

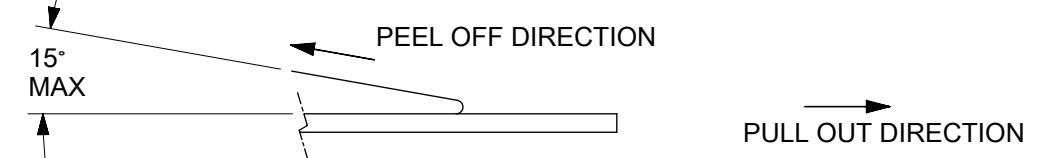


NOTES:

1. LEADER AND TRAILER TAPE



2. PEELING OFF FORCE OF THE TOP TAPE: 20 - 80gf.
(PEELING DIRECTION AS SHOWN IN FOLLOWING FIGURE)



- 3. TAPE AND REEL SPECIFICATION IS AS PER EIA-481.
- 4. TAPE & REEL QUANTITY = 500 PCS/REEL
- 5. THE TAPE IS TREATED FOR ANTI-STATIC

THIS DRAWING CONTAINS INFORMATION THAT IS PROPRIETARY TO MOLEX ELECTRONIC TECHNOLOGIES, LLC AND SHOULD NOT BE USED WITHOUT WRITTEN PERMISSION									
DIMENSION UNITS		SCALE		CURRENT REV DESC:					
mm		NTS		molex CUSTOM HEADER MGRID, 2MM DUAL ROW HDR WITH PEG, SMT PRODUCT CUSTOMER DRAWING DOCUMENT NUMBER: SD-87759-208 DOC TYPE: PSD DOC PART: 001 REVISION: D7 MATERIAL NUMBER: SEE TABLE CUSTOMER: GENERAL MARKET SHEET NUMBER: 3 OF 4					
GENERAL TOLERANCES (UNLESS SPECIFIED)									
		MM	INCH						
4 PLACES	±								
3 PLACES	±								
2 PLACES	±	0.2							
1 PLACE	±								
0 PLACES	±								
ANGULAR TOL		± 3.0°		EC NO: 699037 DRWN: DANUSA 2021/11/26 CHK'D: DANUSA 2022/03/10 APPR: MRAMAKRISHNA 2022/03/10 INITIAL REVISION: DRWN: KSEE 2003/12/22 APPR: MLONG 2009/12/17					
DRAFT WHERE APPLICABLE MUST REMAIN WITHIN DIMENSIONS		THIRD ANGLE PROJECTION		DRAWING		SERIES		MATERIAL NUMBER	
				A3-SIZE		87759		SEE TABLE	

9		8		7		6		5		4		3		2		1	
PART NUMBER WITH CAP IN TUBE		PART NUMBER WITH CAP IN TAPE AND REEL.		PART NUMBER WITHOUT CAP IN TAPE AND REEL.		CKT SIZE	A	B	C	M	N	F	So	W	EMBOSSED TYPE	CAP TYPE	PLATING OPTION
E	87759-0876	87759-7626		08	7.90	6.00	4.00	3.80	8.05	11.50	-	24.00	A	C1	1		
	87759-5276	87759-7648		08	7.90	6.00	4.00	8.80	13.00	11.50	-	24.00	A	C2			
	87759-1076	87759-7627		10	9.90	8.00	6.00	3.80	8.05	11.50	-	24.00	A	C1			
	87759-1276	87759-7628	87759-7649 (D7)	12	11.90	10.00	8.00	3.80	8.05	11.50	-	24.00	A				
	87759-1476	87759-7629		14	13.90	12.00	10.00	3.80	8.05	11.50	-	24.00	A	C1			
	87759-1676	87759-7630		16	15.90	14.00	12.00	3.80	8.05	14.20	28.40	32.00	B	C1			
	87759-1876	87759-7631	87759-7650 (D7)	18	17.90	16.00	14.00	3.80	8.05	14.20	28.40	32.00	B	C1			
	87759-2076	87759-7632		20	19.90	18.00	16.00	3.80	8.05	20.20	40.40	44.00	B	C1			
	87759-2276	87759-7633		22	21.90	20.00	18.00	3.80	8.05	20.20	40.40	44.00	B	C1			
	87759-2476	87759-7634		24	23.90	22.00	20.00	3.80	8.05	20.20	40.40	44.00	B	C1			
	87759-2676	87759-7635		26	25.90	24.00	22.00	3.80	8.05	20.20	40.40	44.00	B	C1			
D	87759-2876	87759-7636		28	27.90	26.00	24.00	3.80	8.05	20.20	40.40	44.00	B	C1			
	87759-3076	87759-7637		30	29.90	28.00	26.00	3.80	8.05	20.20	40.40	44.00	B	C1			
	87759-3276	87759-7638		32	31.90	30.00	28.00	3.80	8.05	26.20	52.40	56.00	B	C1			
	87759-3476	87759-7639		34	33.90	32.00	30.00	3.80	8.05	26.20	52.40	56.00	B	C1			
	87759-3676	87759-7640		36	35.90	34.00	32.00	3.80	8.05	26.20	52.40	56.00	B	C1			
	87759-3876	87759-7641		38	37.90	36.00	34.00	3.80	8.05	26.20	52.40	56.00	B	C1			
	87759-4076	87759-7642		40	39.90	38.00	36.00	3.80	8.05	26.20	52.40	56.00	B	C1			
C	87759-4276	87759-7643		42	41.90	40.00	38.00	3.80	8.05	26.20	52.40	56.00	B	C1			
	87759-4476	87759-7644		44	43.90	42.00	40.00	3.80	8.05	26.20	52.40	56.00	B	C1			
	87759-4676	87759-7645		46	45.90	44.00	42.00	3.80	8.05	34.20	68.40	72.00	B	C1			
	87759-4876	87759-7646		48	47.90	46.00	44.00	3.80	8.05	34.20	68.40	72.00	B	C1			
	87759-5076	87759-7647		50	49.90	48.00	46.00	3.80	8.05	34.20	68.40	72.00	B	C1			

B																																																																																																																																											
A																																																																																																																																											
<table border="1"> <tr> <td colspan="16">THIS DRAWING CONTAINS INFORMATION THAT IS PROPRIETARY TO MOLEX ELECTRONIC TECHNOLOGIES, LLC AND SHOULD NOT BE USED WITHOUT WRITTEN PERMISSION</td> </tr> <tr> <td colspan="2">DIMENSION UNITS</td> <td colspan="2">SCALE</td> <td colspan="12">CURRENT REV DESC:</td> </tr> <tr> <td colspan="2">mm</td> <td colspan="2">NTS</td> <td colspan="12" rowspan="5"> <div style="text-align: center;">molex</div> <p>CUSTOM HEADER MGRID, 2MM DUAL ROW HDR WITH PEG, SMT</p> <p>PRODUCT CUSTOMER DRAWING</p> </td> </tr> <tr> <td colspan="4">GENERAL TOLERANCES (UNLESS SPECIFIED)</td> </tr> <tr> <td colspan="2"></td> <td>MM</td> <td>INCH</td> </tr> <tr> <td>4 PLACES</td> <td>±</td> <td></td> <td>±</td> </tr> <tr> <td>3 PLACES</td> <td>±</td> <td></td> <td>±</td> </tr> <tr> <td>2 PLACES</td> <td>±</td> <td>0.2</td> <td>±</td> </tr> <tr> <td>1 PLACE</td> <td>±</td> <td></td> <td>±</td> </tr> <tr> <td>0 PLACES</td> <td>±</td> <td></td> <td>±</td> </tr> <tr> <td colspan="4">ANGULAR TOL ± 3.0°</td> <td colspan="12"> <p>EC NO: 699037</p> <p>DRWN: DANUSA 2021/11/26</p> <p>CHK'D: DANUSA 2022/03/10</p> <p>APPR: MRAMAKRISHNA 2022/03/10</p> <p>INITIAL REVISION:</p> <p>DRWN: KSEE 2003/12/22</p> <p>APPR: MLONG 2009/12/17</p> </td> </tr> <tr> <td colspan="4">DRAFT WHERE APPLICABLE MUST REMAIN WITHIN DIMENSIONS</td> <td colspan="2">THIRD ANGLE PROJECTION</td> <td colspan="2">DRAWING</td> <td colspan="2">SERIES</td> <td colspan="2">MATERIAL NUMBER</td> <td colspan="2">CUSTOMER</td> <td colspan="2">SHEET NUMBER</td> </tr> <tr> <td colspan="4"></td> <td colspan="2"> </td> <td colspan="2">A3-SIZE</td> <td colspan="2">87759</td> <td colspan="2">SEE TABLE</td> <td colspan="2">GENERAL MARKET</td> <td colspan="2">4 OF 4</td> </tr> </table>																THIS DRAWING CONTAINS INFORMATION THAT IS PROPRIETARY TO MOLEX ELECTRONIC TECHNOLOGIES, LLC AND SHOULD NOT BE USED WITHOUT WRITTEN PERMISSION																DIMENSION UNITS		SCALE		CURRENT REV DESC:												mm		NTS		<div style="text-align: center;">molex</div> <p>CUSTOM HEADER MGRID, 2MM DUAL ROW HDR WITH PEG, SMT</p> <p>PRODUCT CUSTOMER DRAWING</p>												GENERAL TOLERANCES (UNLESS SPECIFIED)						MM	INCH	4 PLACES	±		±	3 PLACES	±		±	2 PLACES	±	0.2	±	1 PLACE	±		±	0 PLACES	±		±	ANGULAR TOL ± 3.0°				<p>EC NO: 699037</p> <p>DRWN: DANUSA 2021/11/26</p> <p>CHK'D: DANUSA 2022/03/10</p> <p>APPR: MRAMAKRISHNA 2022/03/10</p> <p>INITIAL REVISION:</p> <p>DRWN: KSEE 2003/12/22</p> <p>APPR: MLONG 2009/12/17</p>												DRAFT WHERE APPLICABLE MUST REMAIN WITHIN DIMENSIONS				THIRD ANGLE PROJECTION		DRAWING		SERIES		MATERIAL NUMBER		CUSTOMER		SHEET NUMBER								A3-SIZE		87759		SEE TABLE		GENERAL MARKET		4 OF 4	
THIS DRAWING CONTAINS INFORMATION THAT IS PROPRIETARY TO MOLEX ELECTRONIC TECHNOLOGIES, LLC AND SHOULD NOT BE USED WITHOUT WRITTEN PERMISSION																																																																																																																																											
DIMENSION UNITS		SCALE		CURRENT REV DESC:																																																																																																																																							
mm		NTS		<div style="text-align: center;">molex</div> <p>CUSTOM HEADER MGRID, 2MM DUAL ROW HDR WITH PEG, SMT</p> <p>PRODUCT CUSTOMER DRAWING</p>																																																																																																																																							
GENERAL TOLERANCES (UNLESS SPECIFIED)																																																																																																																																											
		MM	INCH																																																																																																																																								
4 PLACES	±		±																																																																																																																																								
3 PLACES	±		±																																																																																																																																								
2 PLACES	±	0.2	±																																																																																																																																								
1 PLACE	±		±																																																																																																																																								
0 PLACES	±		±																																																																																																																																								
ANGULAR TOL ± 3.0°				<p>EC NO: 699037</p> <p>DRWN: DANUSA 2021/11/26</p> <p>CHK'D: DANUSA 2022/03/10</p> <p>APPR: MRAMAKRISHNA 2022/03/10</p> <p>INITIAL REVISION:</p> <p>DRWN: KSEE 2003/12/22</p> <p>APPR: MLONG 2009/12/17</p>																																																																																																																																							
DRAFT WHERE APPLICABLE MUST REMAIN WITHIN DIMENSIONS				THIRD ANGLE PROJECTION		DRAWING		SERIES		MATERIAL NUMBER		CUSTOMER		SHEET NUMBER																																																																																																																													
						A3-SIZE		87759		SEE TABLE		GENERAL MARKET		4 OF 4																																																																																																																													

DOCUMENT STATUS	P1	RELEASE DATE	2022/03/10	13:29:35													
9		8		7		6		5		4		3		2		1	