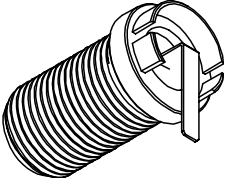


13 12 11 10 9 8 7 6 5 4 3 2 1

J
I
H
G
F
E
D
C
B
A

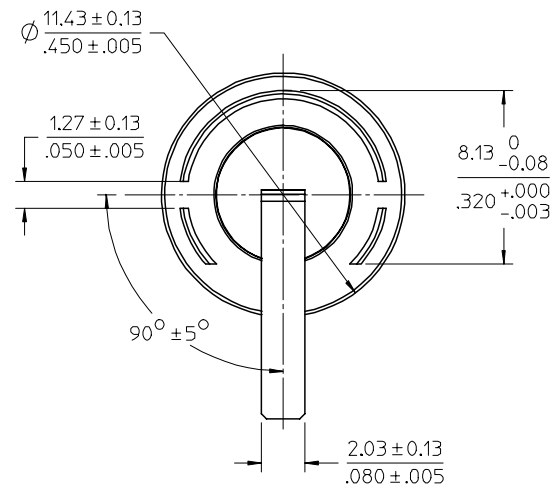
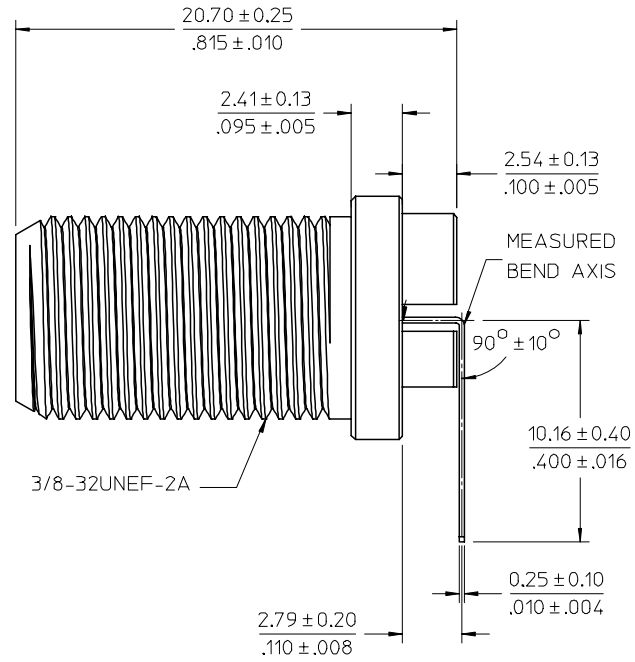
MATERIALS AND FINISHES



BODY BRASS
PLATED TIN

CENTER CONTACT
PHOSPHOR BRONZE
PLATED TIN

INSULATOR VALOX 310 SEO (WHITE)



PS-73598-0080	PERFORMANCE
SPECIFICATION	DESCRIPTION

LOAD TO WM FC NO: URF2008-0189 DRAWN/CLL CHKD: APPR:MHUANG	2007/10/15	2007/10/16	QUALITY SYMBOLS =0 =0
	2007/10/15	2007/10/16	
	2007/10/16	2007/10/16	
	2007/10/16	2007/10/16	

GENERAL TOLERANCES (UNLESS SPECIFIED)	
mm	INCH
4 PLACES ± ---	± ---
3 PLACES ± ---	± ---
2 PLACES ± ---	± ---
1 PLACE ± ---	± ---
ANGULAR ± 2 °	
DRAFT WHERE APPLICABLE MUST REMAIN WITHIN DIMENSIONS	

DIMENSION STYLE	
MM/IN	
DRAWN BY	DATE
LILY	1991/09/25
CHECKED BY	DATE
SAM	1991/09/25
APPROVED BY	DATE
WALLY	1991/09/25
MATERIAL NO.	89713-0134

SCALE	DESIGN UNITS	THIRD ANGLE PROJECTION
	METRIC	
F PCB 75 OHM RECEPTACLE F-PCB		
MOLEX INCORPORATED		
DOCUMENT NO.	SD-89713-0134	SHEET NO.
		1 OF 1

12 11 10 9 8 7 6 5 4 3 2 1