

ZNM Transceiver Modules

Product Description

The RC241x and RC241xHP RF Transceiver Modules are a series of compact surface-mounted modules specially designed for the ZNM protocol stack. It can also be used for wireless star and mesh networks based on an IEEE 802.15.4 compliant PHY and MAC.

The complete shielded module is only 16.5 x 35.6 x 3.54 mm and comes in both a low-power consuming variant (RC241x) and a High Power version with LNA (Low Noise Amplifier) and PA (Power Amplifier) for extended range (RC241xHP). The two variants are pin compatible. The module is available with integrated antenna (AT) or RF connector (U.FL type) (CT).

Applications

- Home- and Building Automation
- Smart Metering / AMR / AMI
 - Electricity, gas, water and heat meters
 - Energy Service Portal (ESP) / Load Control
- IP sensor networks (6LoWPAN)
- Wireless sensor networks
- Industrial communication



Features

- Complete ZNM network module with radio protocol
- Integrated antenna option (AT) / U.FL connector option (CT)
- 100 mW / 20 dBm option and low-power option in pin compatible packages
- 16.5 x 35,6 x 3.54 mm compact shielded module for SMD mounting
- IEEE 802.15.4 compliant PHY
- Single-cycle high performance 8051 microcontroller core
- UART or SPI interfaces
- High performance direct sequence spread spectrum (DSSS) RF transceiver
- 2.0 – 3.6 V supply voltage, ultra low power modes
- Conforms with EN 300 440 and EN 300 328 (Europe), FCC CFR 47 part 15 (US), ARIB STD-T66 (Japan) and G.S.R. 542(E)/45(E) (both for India)

Quick Reference Data (typical over manufacturing lots at 3.3V, frequency 2440 MHz)

| Parameter | RC241x | RC241xHP | Unit |
|-----------------------------|---|-----------|--------|
| Frequency band | 2.400-2.4835 | | GHz |
| Number of channels | 16 | | |
| Data rate | 250 | | kbit/s |
| Max output power | 4 | 20* | dBm |
| Sensitivity (PER 1%) | -97 | -99 | dBm |
| Adjacent Channel Rejection | 49 | | dB |
| Alternate Channel Rejection | 57 | | dB |
| Supply voltage | 2.0 - 3.6 | 3.0 - 3.6 | Volt |
| Current consumption, RX/TX | 24/34 | 27/175 | mA |
| Current consumption, PD | 0.4 | 10 | uA |
| Flash memory | 256 | | kB |
| RAM | 8 | | kB |
| Operating Temperature | -30 to +85 (-40 to +85 available on request) | | °C |

* Limited to 12 dBm in Europe due to ETSI regulation and limited to 10 dBm in US for frequency 2480 MHz due to FCC regulation.

Quick Product Introduction

The RC241x/RC241xHP-ZNM are based on the RC241x series of RF transceiver modules that are specially designed to comply with IEEE 802.15.4-based industry standards like ZigBee PRO, 6LoWPAN, Wireless HART, ISA100.11a, RF4CE and others.

The ZNM Network Module is designed using the Z-Stack from Texas Instrument which is ZigBee compliant.

The embedded RF HW and MCU resources in a 100% RF tested and pre-qualified module shorten the qualification and approval process. No RF design or RF expertise is required to add powerful wireless networking to the product. The ZNM provides a complete wireless communication protocol that is interfaced through an API. The API can run over UART or SPI. Hence, the application protocol is run on an external MCU under full control of the RF module user.

The RC2411-ZNM/RC2411HP-ZNM can be used to build a complete ZigBee PRO network module where the entire ZigBee Pro compliant stack and configurable application software is preloaded in the module and available via API on a serial interface.

The module is provided in several variants The -AT includes an internal chip antenna, and the -CT include an U.FL type connector. For detailed article numbers see page (20).

About this document

This document is one part of the documentation for the module. It describes the electrical parameters, RF performance, footprint and PCB layout and regulatory information. Depending on the selected FW solution one additional User Manual should be used. See

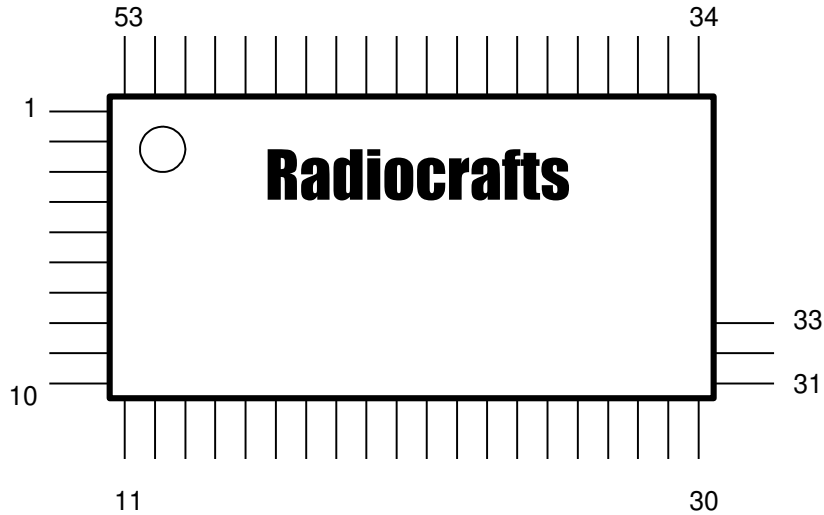
- RC24xx/RC24xxHP-ZNM User Manual for details on how to use the ZNM module with preloaded stack and API through a serial interface.

RC24xx/RC24xxHP-ZNM User Manual

RC241x/RC241xHP-ZNM Datasheet
(This document)

Figure 1. Document structure

Pin Assignment



Pin Description

(See User Manual for more detailed pin out)

| Pin no | Pin name | Description and internal MCU connection |
|--------|----------|---|
| 1 | GND | System ground |
| 2 | NC | Reserved for future use |
| 3 | NC | Reserved for future use |
| 4 | GND | System ground |
| 5 | I/O pin | Digital I/O |
| 6 | I/O pin | Digital I/O |
| 7 | I/O pin | Digital I/O |
| 8 | I/O pin | Digital I/O |
| 9 | I/O pin | Digital I/O |
| 10 | GND | System ground |
| 11 | GND | System ground |
| 12 | I/O pin | Digital I/O, HGM for PA CTRL IN HP VERSION |
| 13 | I/O pin | Digital I/O |
| 14 | I/O pin | Digital I/O |
| 15 | I/O pin | Digital I/O |
| 16 | I/O pin | Digital I/O ENABLE(LNA_ENABLE) FOR PA CTRL IN HP VERSION |
| 17 | RESET_N | RESET |
| 18 | NC | Not connected |
| 19 | NC | Not connected |
| 20 | NC | Not connected |
| 21 | NC | Not connected |
| 22 | NC | Not connected |
| 23 | NC | Not connected |
| 24 | NC | Not connected |
| 25 | NC | Not connected |
| 26 | NC | Not connected |
| 27 | NC | Not connected |
| 28 | NC | Not connected |
| 29 | NC | Not connected |

| | | |
|----|-----------------|--|
| 30 | GND | System ground |
| 31 | GND | System ground |
| 32 | RF_TEST | RF I/O connection for Automatic test purposes. For modules intended for use with U.FL connector, do not connect this pad. |
| 33 | GND | System ground |
| 34 | GND | System ground |
| 35 | VCC | VCC |
| 36 | NC | Not connected |
| 37 | NC | Not connected |
| 38 | NC | Not connected |
| 39 | NC | Not connected |
| 40 | NC | Not connected |
| 41 | SPI_FLASH_RESET | RESET for SPI flash, NC for without SPI flash |
| 42 | I/O pin | Digital I/O or Connected to 32kHz crystal |
| 43 | I/O pin | Digital I/O or Connected to 32kHz crystal |
| 44 | I/O pin | Digital I/O or Programming |
| 45 | I/O pin | Digital I/O or Programming |
| 46 | I/O pin | Digital I/O |
| 47 | I/O pin | Digital I/O |
| 48 | I/O pin | Digital I/O |
| 49 | I/O pin | Digital I/O |
| 50 | I/O pin | Digital I/O |
| 51 | I/O, PA enable | Digital I/O, PA ENABLE FOR PA CTRL IN HP VERSION |
| 52 | I/O pin | Digital I/O |
| 53 | GND | System ground |

DC characteristics

T_A = 25°C, VDD = 3 V, unless otherwise noted.

| PARAMETER | TEST CONDITION | MIN | TYP | MAX | Unit |
|---------------------------------------|-------------------|-----|-----|-----|------|
| Logic-0 input voltage | | | | 0.5 | V |
| Logic-1 input voltage | | 2.5 | | | V |
| Logic-0 input current | Input equals 0 V | -50 | | 50 | nA |
| Logic-1 input current | Input equals VDD | -50 | | 50 | nA |
| I/O-pin pullup and pulldown resistors | | | 20 | | kΩ |
| Logic-0 output voltage, 4-mA pins | Output load 4 mA | | | 0.5 | V |
| Logic-1 output voltage, 4-mA pins | Output load 4 mA | 2.4 | | | V |
| Logic-0 output voltage, 20-mA pins | Output load 20 mA | | | 0.5 | V |
| Logic-1 output voltage, 20-mA pins | Output load 20 mA | 2.4 | | | V |

SPI AC characteristics
(Ref CC2530 datasheet)

SPI AC CHARACTERISTICS

T_A = -40°C to 125°C, VDD = 2 V to 3.6 V

| PARAMETER | TEST CONDITIONS | MIN | TYP | MAX | UNIT |
|--------------------------------|----------------------|-----|-----|-----|------|
| t ₁ SCK period | Master, RX and TX | 250 | | | ns |
| | Slave, RX and TX | 250 | | | |
| SCK duty cycle | Master | | 50% | | |
| t ₂ SSN low to SCK | Master | 63 | | | ns |
| | Slave | 63 | | | |
| t ₃ SCK to SSN high | Master | 63 | | | ns |
| | Slave | 63 | | | |
| t ₄ MOSI early out | Master, load = 10 pF | | | 7 | ns |
| t ₅ MOSI late out | Master, load = 10 pF | | | 10 | ns |
| t ₆ MISO setup | Master | 90 | | | ns |
| t ₇ MISO hold | Master | 10 | | | ns |
| SCK duty cycle | Slave | | 50% | | ns |
| t ₁₀ MOSI setup | Slave | 35 | | | ns |
| t ₁₁ MOSI hold | Slave | 10 | | | ns |
| t ₈ MISO late out | Slave, load = 10 pF | | | 95 | ns |
| Operating frequency | Master, TX only | | | 8 | MHz |
| | Master, RX and TX | | | 4 | |
| | Slave, RX only | | | 8 | |
| | Slave, RX and TX | | | 4 | |

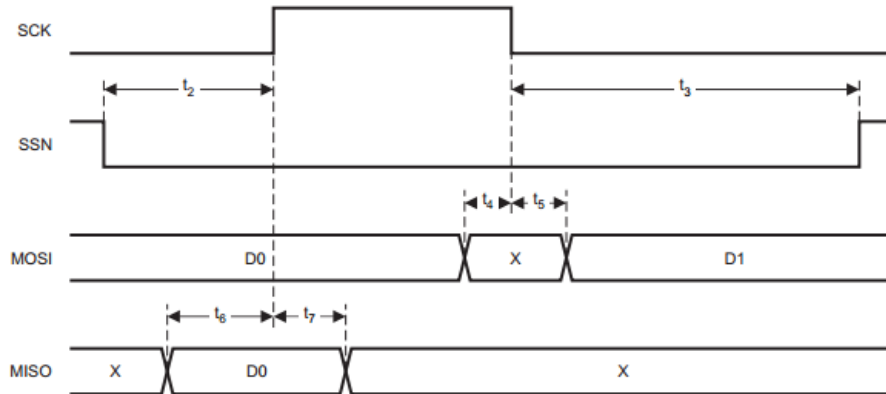


Figure 1. SPI Master AC Characteristics

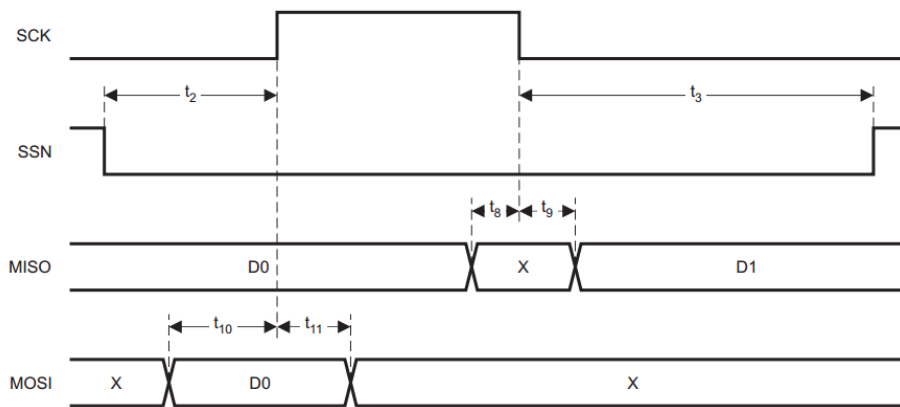
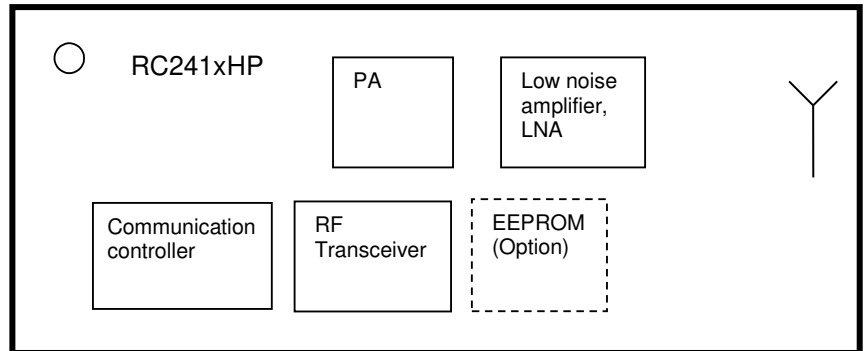


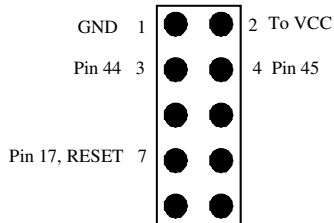
Figure 2. SPI Slave AC Characteristics

Block Diagram



Programming and debugging Interface

For downloading firmware to the module it is required to include a 2x5 pins programming connector to the modules programming pins. The connector should be a 2.54 mm pitch pin-row (same pitch in both directions), SMD or through-hole version, with the following connections:



RF Frequency, Output Power Levels and Data Rates

The following table shows the RF channels as defined by the IEEE 802.15.4 standard.

| RF channel | Frequency |
|------------|-----------|
| 11 | 2405 MHz |
| 12 | 2410 MHz |
| 13 | 2415 MHz |
| 14 | 2420 MHz |
| 15 | 2425 MHz |
| 16 | 2430 MHz |
| 17 | 2435 MHz |
| 18 | 2440 MHz |
| 19 | 2445 MHz |
| 20 | 2450 MHz |
| 21 | 2455 MHz |
| 22 | 2460 MHz |
| 23 | 2465 MHz |
| 24 | 2470 MHz |
| 25 | 2475 MHz |
| 26 | 2480 MHz |

For proprietary solutions (non-IEEE 802.15.4), the RF transceiver can be programmed in steps of 1 MHz.

The RF transceiver uses direct sequence spread spectrum (DSSS) with 2 Mchip/s chip rate, giving a raw data rate of 250 kbit/s. The modulation format is Offset – Quadrature Phase Shift Keying (O-QPSK). The DSSS makes the communication link robust in noisy environments, which is beneficial when sharing the same frequency band with other applications.

Regulatory Compliance Information

The use of RF frequencies and maximum allowed transmitted RF power is limited by national regulations. The RC241XHP has been designed to comply with world-wide regulations (RED directive 2014/53/EU in Europe, G.S.R. 542(E)/45(E) for India and FCC and ARIB). The RC241X (non-HP) complies with all directives and regulations at any power lever setting. In order to comply with the different standards, the output power for RC241XHP should be configured as commented below.

RED directive (EU)

According to RED directive it is the responsibility of Radiocrafts' customers to check that the host product (i.e. final product) is compliant with RED essential requirements. The use of a CE marked radio module can avoid re-certification of the final product, provided that the end user respects the recommendations established by Radiocrafts. A Declaration of Conformity for the modules is available from Radiocrafts on request.

In terms of RED the RC241XHP is a wideband radio and must comply with EN 300 328 on those premises. RC241xHP is tested and assessed in compliance with EN 300 328 for EIRP up to 10 dBm EIRP. For 0dBi in antenna this is equal to power setting 0x55. For lower gain antenna (or loss in antenna feed) higher output settings can be used.

Products using RC241xHP can be certified up to 12dBm EIRP, but there are specific requirement to radio protocol. Such assessment is left to the manufacturer of end equipment.

FCC/IC compliance (US, Canada)

This device complies with Part 15 of the FCC Rules and Industry Canada (IC) RSS 210 issue 8.

| Part number | FCC ID | IC ID |
|-------------|-------------|-------------------|
| RC241xAT | Y2NRC24XX | IC 9402A-RC24XX |
| RC241xCT | Y2NRC24XX | IC 9402A-RC24XX |
| RC241xHP-AT | Y2NRC24XXHP | IC 9402A-RC24XXHP |
| RC241xHP-CT | Y2NRC24XXHP | IC 9402A-RC24XXHP |

Operation is subject to the following two conditions: (1) this device may not cause harmful interference, and (2) this device must accept any interference received, including interference that may cause undesired operation.

Son fonctionnement est soumis aux deux conditions: (1) cet appareil ne doit pas créer d'interférences nuisibles et (2) cet appareil doit accepter toute interférence reçue, y compris les interférences qui peuvent en perturber le fonctionnement.

Changes or modifications to the equipment not expressly approved by the party responsible for compliance could void the user's authority to operate the equipment.

If a detachable RF connector is introduced in RF path it must be a non-standard type RP-SMA, U.FI etc. The modules have been approved with the following external quarter wave antennas:

| Manufacturer | Part number |
|--------------|----------------|
| EAD | Acara |
| Taoglas | FXP73.07.0100A |
| Antennova | Titanis |

Any use of antenna with gain > 2.5 dBi is strictly forbidden.

Warning for RC241xHP: This is device complies with FCC RF radiation exposure limits set forth for an uncontrolled environment. The antenna used for this transmitter must be installed to provide a separation distance of at least 20 cm from all persons and must not be co-located or operating in conjunction with any other antenna or transmitter. For approval of end product as portable device, separate SAR tests and approval is required for end product.

Avertissement concernant le module RC2400HP: Le module RC2400 HP est conforme à l'exposition aux limites de rayonnements RF FCC acceptées pour un environnement non contrôlé. L'antenne utilisée pour cet émetteur doit être installée pour fournir une distance minimum 20 cm par rapport à toute personne et ne doit pas être à côté ou fonctionner conjointement avec une autre antenne ou transmetteur. Pour l'approbation du produit final en tant que périphérique portable, des tests et homologations SAR propres au produit sont requis.

The output power of RC241x is below the FCC threshold requiring that it be tested for SAR compliance.

La puissance de sortie du RC2400 est inférieure au seuil FCC nécessitant que des tests de conformité SAR soient réalisés.

This device has been designed to operate with an quarter wave antenna having a maximum gain of 2.5 dBi. Antenna having a higher gain is strictly prohibited per regulations of Industry Canada. The required antenna impedance is 50 ohms.

Cet appareil a été conçu pour fonctionner avec une antenne 1/ d'ondes ayant un gain maximum de 2,5 dBi. Utiliser une antenne à gain plus élevé est strictement interdite par les règlements d'Industrie Canada. L'impédance d'antenne requise est de 50 ohms.

To reduce potential radio interference to other users, the antenna type and its gain should be so chosen that the equivalent isotropically radiated power (EIRP) is not more than that required for successful communication.

Pour réduire le risque d'interférence pour les autres utilisateurs, le type d'antenne et son gain doivent être choisies de façon que la puissance isotrope rayonnée équivalente (PIRE) n'est pas supérieure à celle requise pour une communication réussie.

The installer of this radio equipment must ensure that the antenna is located or pointed such that it does not emit RF field in excess of Health Canada limits for the general population; consult Safety Code 6, obtainable from Health Canada's website www.hc-sc.gc.ca/rpb

Le programme d'installation de cet équipement radio doit s'assurer que l'antenne est située ou orientée de façon à ne pas émettre de champ RF dépassant les limites de Santé Canada pour la population en général, consulter le Code de sécurité 6, disponible sur le site Web de Santé Canada www.hc-sc.gc.ca/rpb

End product marking FCC/IC

The end product including the module must include the following text on a visible label:

For RC241x

Contains Transmitter Module FCC ID: Y2NRC24XX/IC: 9402A-RC24XX
Operation is subject to the following two conditions: (1) this device may not cause harmful interference, and (2) this device must accept any interference received, including interference that may cause undesired operation.

Module transmetteur ID IC: 9402A-RC24XX
Son fonctionnement est soumis aux deux conditions suivantes: (1) cet appareil ne doit pas causer d'interférences nuisibles et (2) cet appareil doit accepter toute interférence reçue, y compris les interférences qui peuvent perturber le fonctionnement.

For RC241xHP

Contains Transmitter Module FCC ID: Y2NRC24XXHP/IC: 9402A-RC24XXHP
Operation is subject to the following two conditions: (1) this device may not cause harmful interference, and (2) this device must accept any interference received, including interference that may cause undesired operation.

Module transmetteur ID IC: 9402A-RC24XX
Son fonctionnement est soumis aux deux conditions suivantes: (1) cet appareil ne doit pas causer d'interférences nuisibles et (2) cet appareil doit accepter toute interférence reçue, y compris les interférences qui peuvent perturber le fonctionnement.

License based operation in India is based on case by case grant and the basis is often a compliance to the RED/R&TTE directive or to FCC.

ARIB compliance

The RC241xHP has been designed to comply with the requirements given by the Japanese ARIB STD-T66 for low power (short range) devices in the 2.4GHz range. However, it has not been formally assessed for conformity with the appropriate regulations. Users must assess and verify that their final product meets the appropriate specifications and to perform the required procedures for regulatory compliance.

The relevant regulations are subject to change. Radiocrafts AS does not take responsibility for the validity and accuracy of the understanding of the regulations referred above. Radiocrafts only guarantee that this product meets the specifications in this document. Radiocrafts is exempt from any responsibilities related to regulatory compliance.

Antenna and Range Considerations

The module needs an antenna to operate. The following antenna options could be considered.

| Antenna | Advantage | Estimated LOS range (meters) RC241x | Estimated LOS range (meters) RC241xHP (100 mW) |
|------------------------|--|-------------------------------------|--|
| Chip antenna -AT | Low cost, easy to implement | 200-300 | 1000-1500 |
| External whip monopole | High performance | 500-700 | 3000-4000 |
| External whip dipole | High performance, no large ground plane required | 500-700 | 3000-4000 |

When using a module of -CT version with external antenna, the VSWR (Voltage Standing Wave Ratio) of the antenna should be less than 2:1. The VSWR is normally specified in the antenna datasheet and most commercial available antennas fulfil this requirement. Also note that if the external antenna is a monopole connected with cable, the antenna require a ground plane at base of antenna. Only ground through the cable will not give optimal performance for a monopole antenna.

Antenna parameter for a typical RC2411AT is shown below, for a module with equivalent 4 dBm conducted output power.

| Parameter | Result | |
|----------------------|----------|-----|
| Total Radiated Power | -0,91 | dBm |
| Peak EIRP | 1,83 | dBm |
| Directivity | 2,74 | dBi |
| Efficiency | -4,91 | dB |
| Efficiency | 32,28494 | % |
| Gain | -2,17 | dBi |

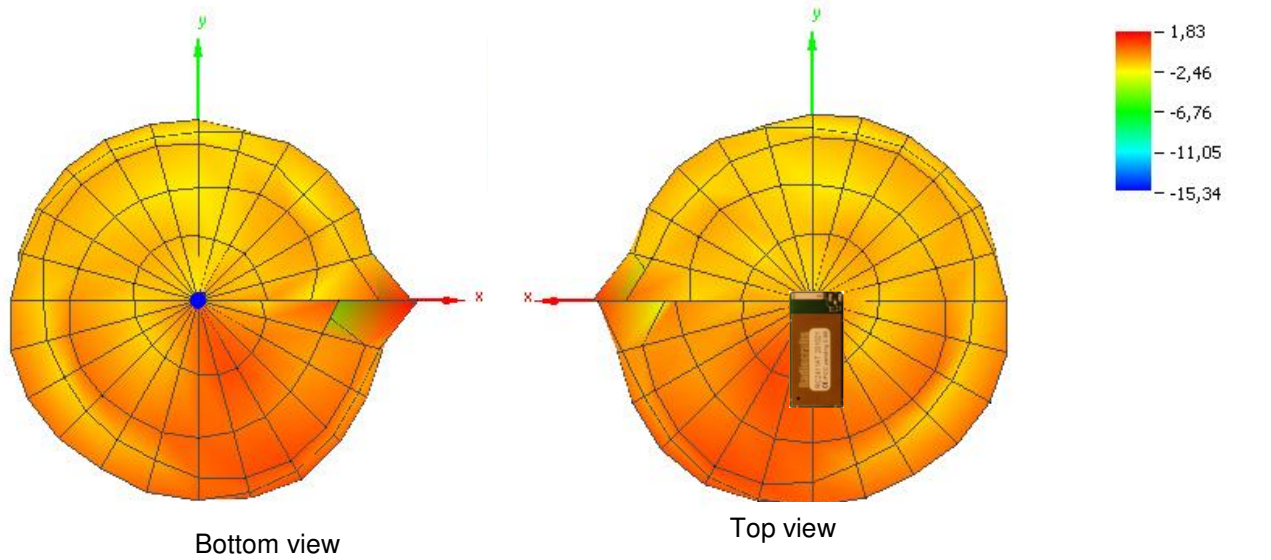


Figure 2. Antenna radiation xy plane

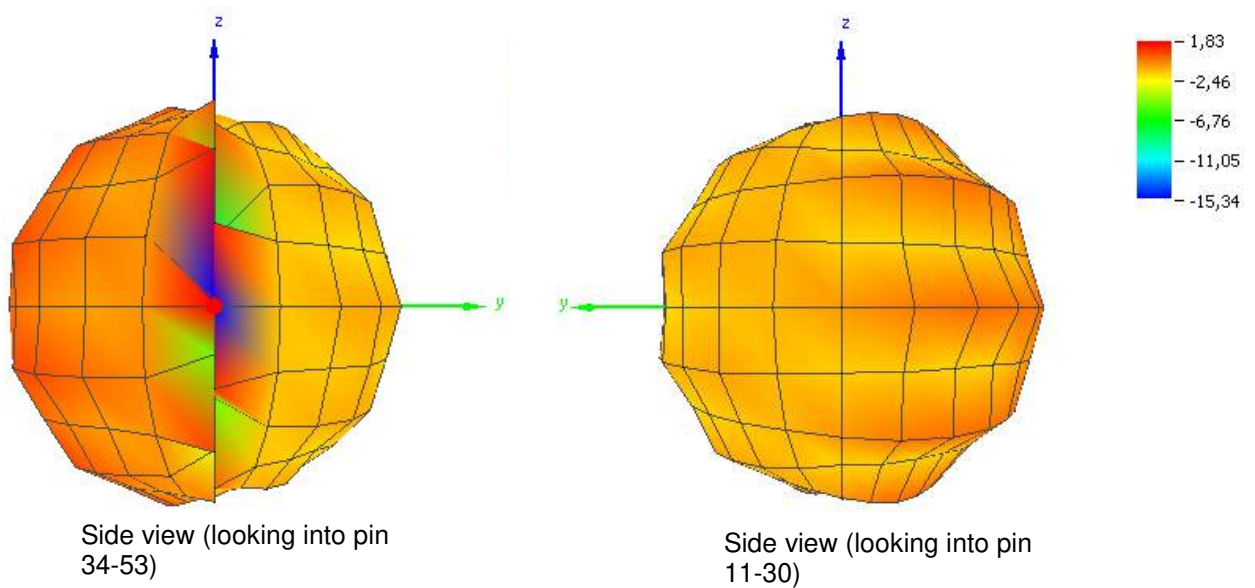


Figure 3. Antenna radiation yz plane

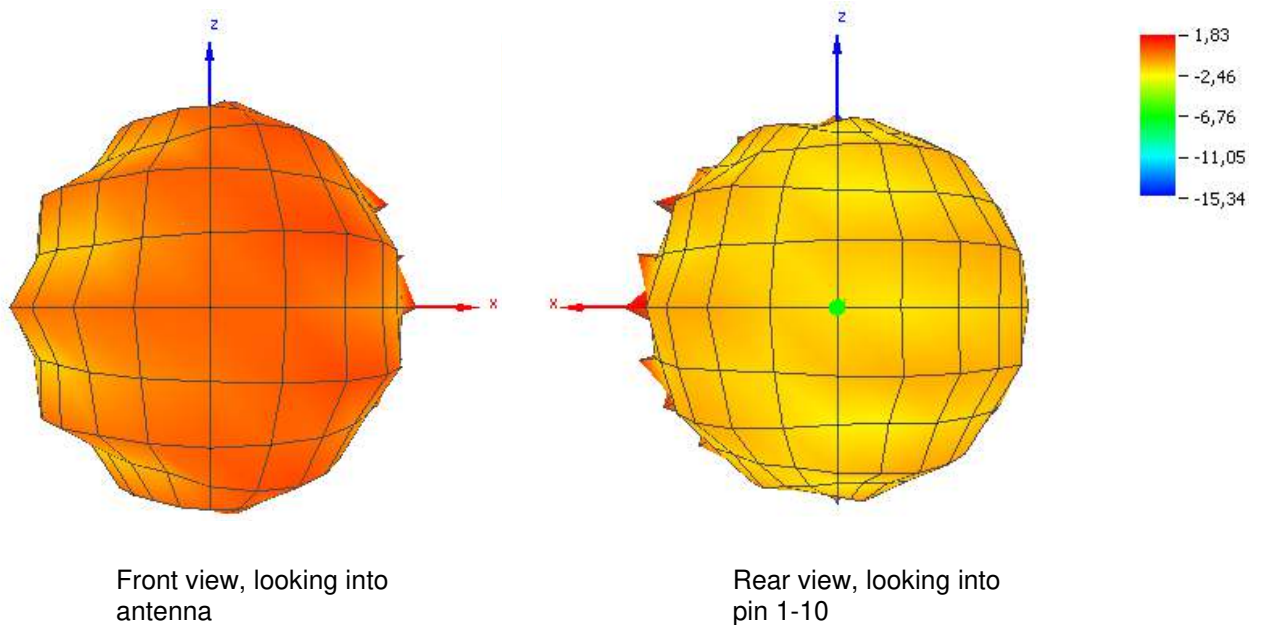


Figure 4. Antenna radiation xz plane

PCB Layout Recommendations

The recommended layout pads for the module are shown in the figure below (top view, pin 1 is in upper left corner). All dimensions are in thousands of an inch (mil). The circle in upper left corner is an orientation mark only, and should not be a part of the copper pattern.

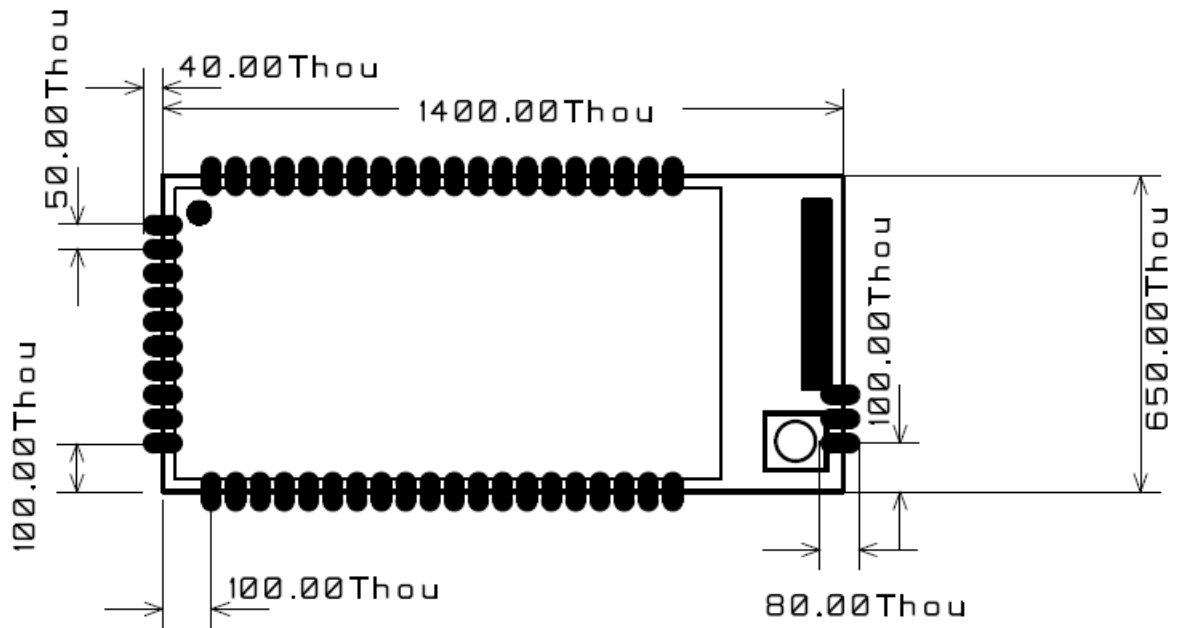


Figure 5. Recommended layout drawing with dimension (all numbers in mil)

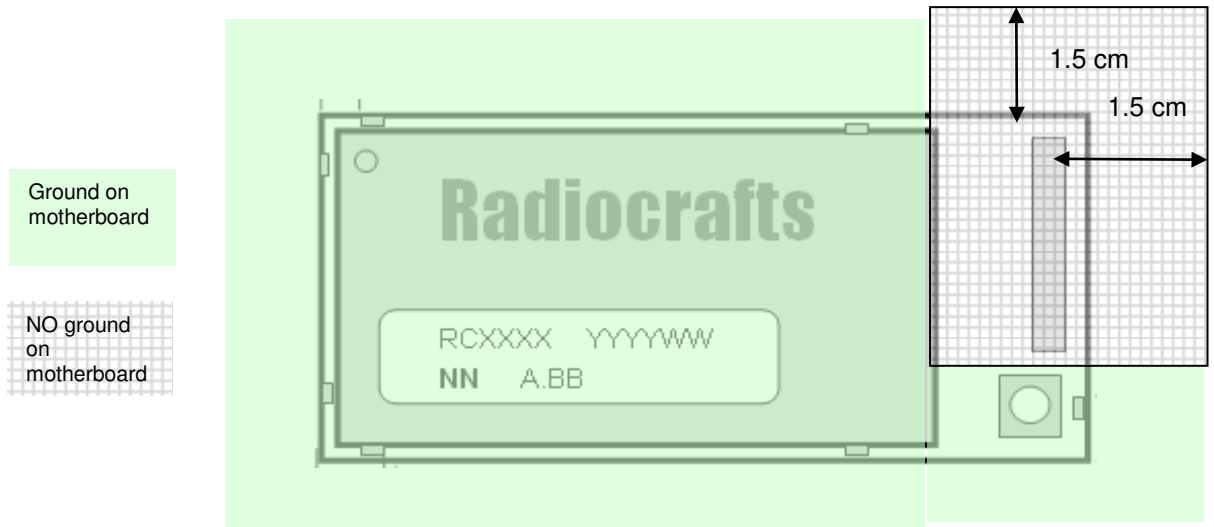


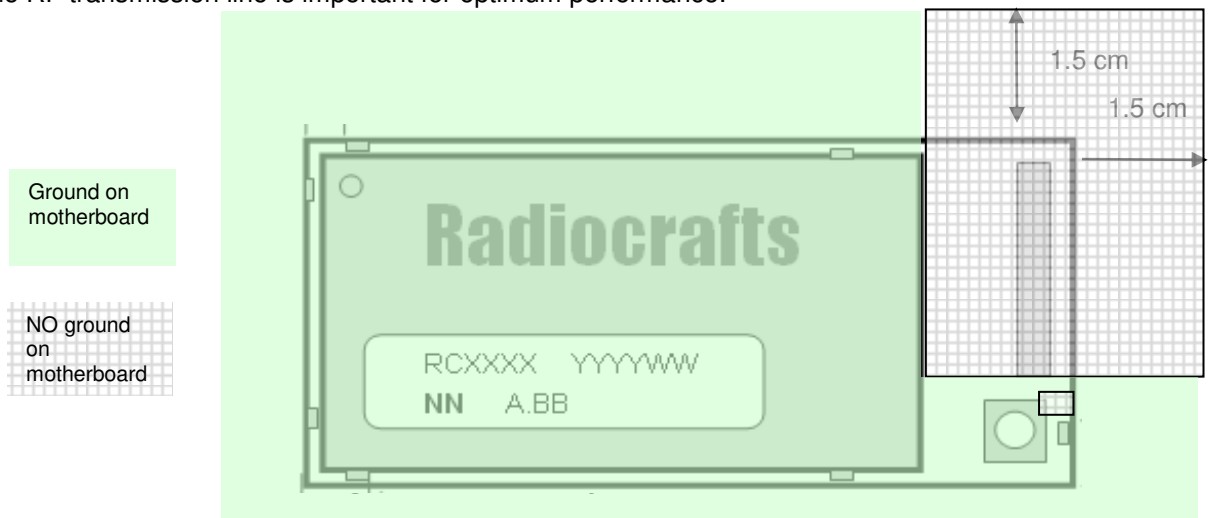
Figure 6. Layout recommendation for variant with chip antenna (-AT)

Proper grounding of all ground pins to ground on motherboard is crucial to get best performance. The ground connection should be made with a via directly from the pad to the ground plane, with shortest possible routing trace.



Figure 7. Layout recommendation for variant with U.FL connector.

Removal of ground under RF test pin (Pin 32 on module) to avoid increased capacitance on the RF transmission line is important for optimum performance.



When using –AT version of the module, best range performance is achieved by placing module with chip antenna on corner (A) or edge (B) of carrier-board.

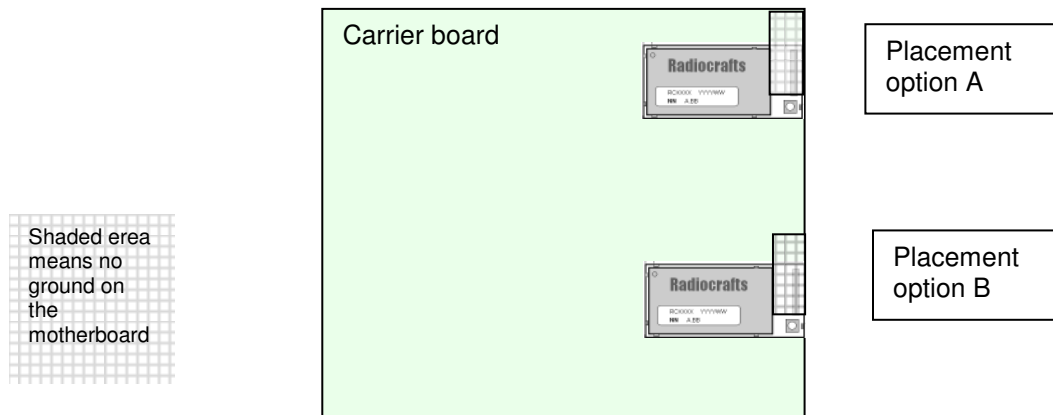
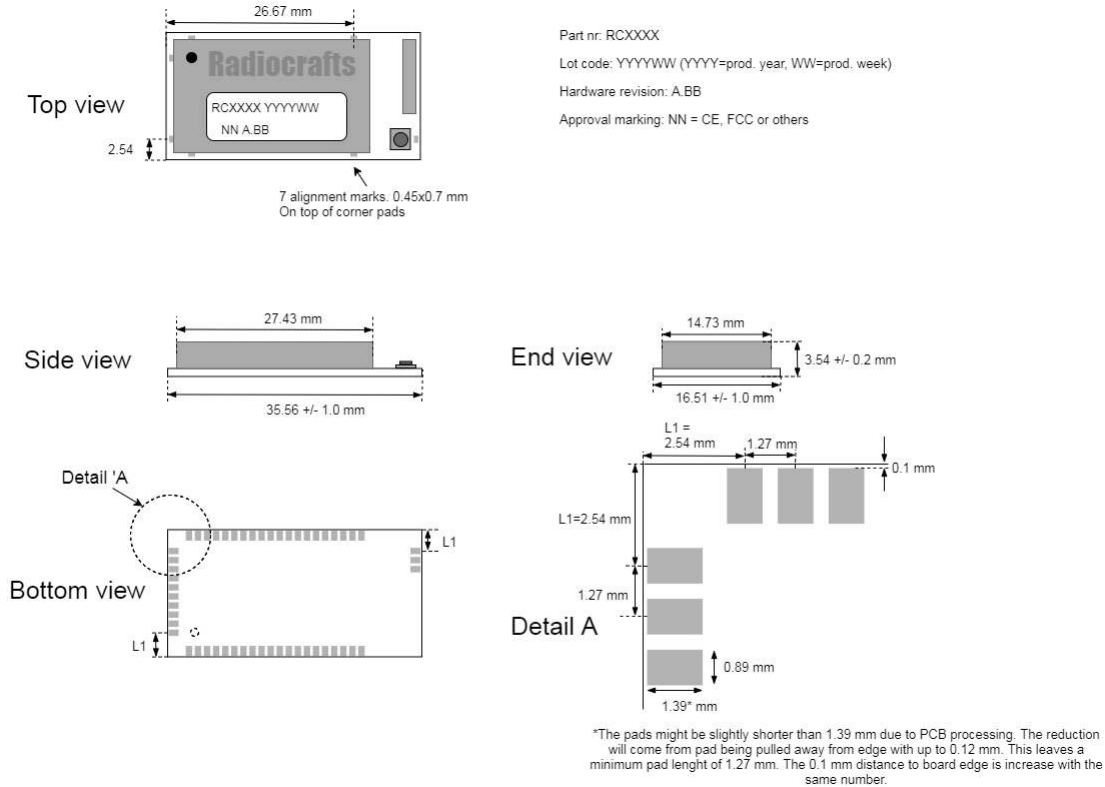


Figure 9. Placement of module on carrier board

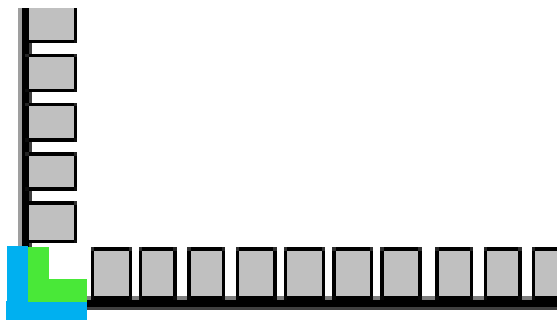
Mechanical Drawing



Mechanical Dimensions

The module size is 0.65" x 1.4" x 0.14" (16.5 x 35.6 x 3.54 mm).

Mechanical Tolerances In Corners



Due to tolerances on the module separation process, the corners might have a milling edge not following the ideal rectangle, 0.65" x 1.4". Some modules will have the corners milled outside the ideal corner (Under-cut = blue) and some are milled inside the ideal corner (over-cut = green).

The difference in module outline due to this process is maximum 0.5 mm from the ideal rectangle outline

The user must pay attention to this when placing other components on their PCB close to the corner of the RC241x modules

Carrier Tape and Reel Specification

Carrier tape and reel is in accordance with EIA Specification 481.

| Tape width | Component pitch | Hole pitch | Reel diameter | Units per reel |
|------------|-----------------|------------|---------------|----------------|
| 56 mm | 20 mm | 4 mm | 13" | Max 800 |

Soldering Profile Recommendation

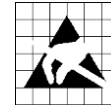
JEDEC standard IPC/JEDEC J-STD-020D.1 (page 7 and 8), Pb-Free Assembly is recommended.

The standard requires that the heat dissipated in the "surroundings" on the PCB is taken into account. The peak temperature should be adjusted so that it is within the window specified in the standard for the actual motherboard.

Aperture for paste stencil is normally areal-reduced by 20-35%, please consult your production facility for best experience aperture reduction. Nominal stencil thickness of 0.1-0.12 mm recommended.

Absolute Maximum Ratings

| Parameter | Min | Max | Unit |
|-----------------------|------|---------|------|
| Supply voltage, VCC | -0.3 | 3.6 | V |
| Voltage on any pin | -0.3 | VCC+0.5 | V |
| Input RF level | | 10 | dBm |
| Storage temperature | -40 | 85 | °C |
| Operating temperature | -30 | 85 | °C |



Caution ! ESD sensitive device.
Precaution should be used when handling the device in order to prevent permanent damage.

Under no circumstances the absolute maximum ratings given above should be violated. Stress exceeding one or more of the limiting values may cause permanent damage to the device.

Electrical Specifications

T=25°C, VCC = 3.3V, 50 ohm if nothing else stated.

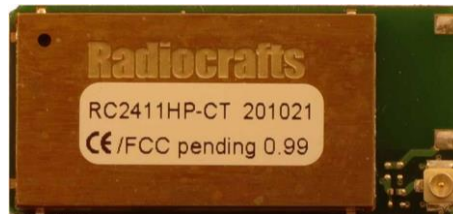
| Parameter | Min | Typ. | Max | Unit | Condition / Note |
|---|-----------|--------------------------|------------|--------|--|
| Operating frequency | 2400 | | 2483 | MHz | Programmable in 1 MHz steps, 5 MHz steps for IEEE 802.15.4 compliance |
| Number of channels | | 16 | | | For IEEE 802.15.4 compliance |
| Channel spacing | | 5 | | MHz | For IEEE 802.15.4 compliance |
| Input/output impedance | | 50 | | Ohm | |
| Data rate | | 250 | | kbit/s | |
| DSSS chip rate | | 2 | | Mc/s | |
| Frequency stability | | | +/-40 | ppm | With 10 year aging |
| Transmit power RC241x RC241xHP | -23 -6 | | 4 20 | dBm | Programmable from firmware. 4 dBm is typical value at max power setting. Varies between 2-6 dBm. |
| Harmonics RC241X 2 nd harmonic 3 rd harmonic RC241XHP (20 dBm Pout) 2 nd harmonic 3 rd harmonic | | -50 -70 -48 -50 | -45 -45 | | Measured according to FCC CRF47 Part 15 |
| Spurious emission RC241xHP, TX, 20 dBm 30 – 1000 MHz 1-12.75 GHz | | | -50 -45 | dBm | Complies with EN 300 328, EN 300 440, FCC CRF47 Part 15 and ARIB STD-T66 |

| Parameter | Min | Typ. | Max | Unit | Condition / Note |
|---|------------|------------|--------------------------|------|--|
| RC241x TX, 4 dBm 30 – 1000 MHz 1-12.75 GHz 1.8-1.9 GHz 5.15-5.3 GHz | | | -56 -48 -53 -60 | | |
| Sensitivity RC241x RC241xHP | | -97 -99 | | dBm | PER = 1% |
| Adjacent channel rejection +/- 5 MHz | | 49 | | dB | At -82 dBm, PER = 1%. 0 dB for IEEE 802.15.4 compliance |
| Alternate channel selectivity +/- 10 MHz | | 57 | | dB | At -82 dBm, PER = 1%. 30 dB for IEEE 802.15.4 compliance |
| Saturation | | 10 | | dBm | |
| Spurious emission, RX 30 -1000 MHz 1-12.75 GHz | | | -57 -47 | dBm | Complies with EN 300 328, EN 300 440, FCC CRF47 Part 15 and ARIB STD-T66 |
| Supply voltage RC241x RC241xHP | 2.0 3.0 | | 3.6 3.6 | V | |
| Current consumption, RX RC241x RC241xHP | | 24 27 | | mA | MCU in Idle mode using the 32 MHz oscillator. |
| Current consumption, TX RC241x, 4dBm RC241xHP, 20 dBm | | 34 200 | | mA | MCU in Idle mode using the 32 MHz oscillator. |
| Current consumption, Power down, power mode 3 RC2411AT RC2411HP-CT | | 0.4 10 | | µA | Wake-up time to power mode 0 is 54 µS |
| RAM memory | | 8 | | kB | |
| MCU clock frequency | | 32 | | MHz | |
| MCU low frequency crystal | | 32.768 | | kHz | |
| Antenna VSWR | | <2:1 | 3:1 | | Requirement for external antenna |

Variant MATRIX

- AT includes internal chip antenna
- CT include U.FL type connector

| Ordering Part number | Extra PA and LNA | Internal Chip antenna | U.FL type connector |
|----------------------|------------------|-----------------------|---------------------|
| RC2411AT-ZNM | | X | |
| RC2411HP-AT-ZNM | X | X | |
| RC2411CT-ZNM | | | X |
| RC2411HP-CT-ZNM | X | | X |



Document Revision History

| Document Revision | Changes |
|-------------------|--|
| 1.0 | First release |
| 1.1 | Updated with FCC information. Status changed to Full Production |
| 1.2 | Corrected minor misprint. Minor changes. |
| 1.3 | Updated/Corrected dimension in mechanical drawing Added DC and SPI AC characteristics Updated regulatory information for CE according to EN300 328 |
| 1.4 | Added details on mechanical tolerances in corners of module |
| 1.6 | Removed references to the customizable module, only showing the ZNM module variant. |
| 1.7 | Updated with RED directive |
| 1.71 | Updated mechanical drawing and height information. |

Product Status and Definitions

| Current Status | Data Sheet Identification | Product Status | Definition |
|----------------|---------------------------------|---|---|
| | Advance Information | Planned or under development | This data sheet contains the design specifications for product development. Specifications may change in any manner without notice. |
| | Preliminary | Engineering Samples and First Production | This data sheet contains preliminary data, and supplementary data will be published at a later date. Radiocrafts reserves the right to make changes at any time without notice in order to improve design and supply the best possible product. |
| X | No Identification Noted | Full Production | This data sheet contains final specifications. Radiocrafts reserves the right to make changes at any time without notice in order to improve design and supply the best possible product. |
| | Not recommended for new designs | Last time buy available | Product close to end of lifetime |
| | Obsolete | Not in Production Optionally accepting order with Minimum Order Quantity | This data sheet contains specifications on a product that has been discontinued by Radiocrafts. The data sheet is printed for reference information only. |

Disclaimer

Radiocrafts AS believes the information contained herein is correct and accurate at the time of this printing. However, Radiocrafts AS reserves the right to make changes to this product without notice. Radiocrafts AS does not assume any responsibility for the use of the described product; neither does it convey any license under its patent rights, or the rights of others. The latest updates are available at the Radiocrafts website or by contacting Radiocrafts directly.

As far as possible, major changes of product specifications and functionality, will be stated in product specific Errata Notes published at the Radiocrafts website. Customers are encouraged to check regularly for the most recent updates on products and support tools.

Trademarks

RC232™ is a trademark of Radiocrafts AS. The RC232™ Embedded RF Protocol is used in a range of products from Radiocrafts. The protocol handles host communication, data buffering, error check, addressing and broadcasting. It supports point-to-point, point-to-multipoint and peer-to-peer network topologies.

All other trademarks, registered trademarks and product names are the sole property of their respective owners.

Life Support Policy

This Radiocrafts product is not designed for use in life support appliances, devices, or other systems where malfunction can reasonably be expected to result in significant personal injury to the user, or as a critical component in any life support device or system whose failure to perform can be reasonably expected to cause the failure of the life support device or system, or to affect its safety or effectiveness. Radiocrafts AS customers using or selling these products for use in such applications do so at their own risk and agree to fully indemnify Radiocrafts AS for any damages resulting from any improper use or sale.

Radiocrafts Technical Support

Knowledge base:

<https://radiocrafts.com/knowledge-base/>

Application notes library:

<https://radiocrafts.com/resources/application-notes/>

Whitepapers:

<https://radiocrafts.com/resources/articles-white-papers/>

Technology overview:

<https://radiocrafts.com/technologies/>

RF Wireless Expert Training:

<https://radiocrafts.com/resources/rf-wireless-expert-training/>

Contact Radiocrafts

Sales requests: <https://radiocrafts.com/contact/>

© 2018, Radiocrafts AS. All rights reserved.