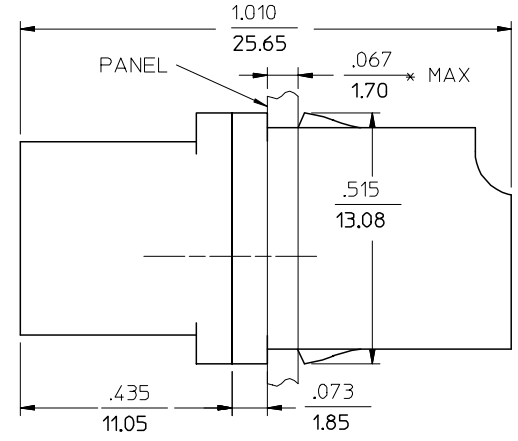
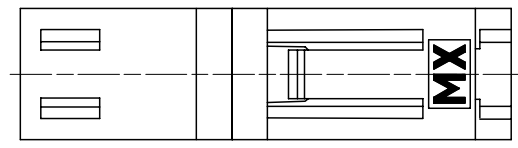
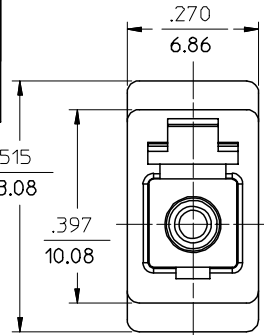
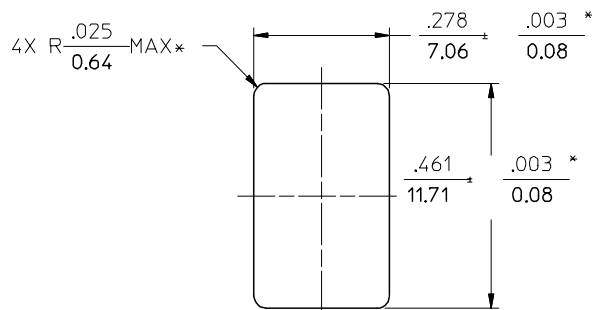
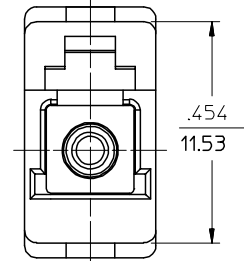


ADAPTER P/N	COLOR	SPLIT SLEEVE MATERIAL
86124-1000	BLUE	ZIRCONIA - ZrO <sub>2</sub>
86124-0010	BEIGE	Ph. Bronze
86124-1050	GREEN	ZIRCONIA - ZrO <sub>2</sub>
86124-0000	BLUE	Ph. Bronze
86124-1010	BEIGE	ZIRCONIA - ZrO <sub>2</sub>
86124-1200	AQUA	



(DUST CAPS ARE NOT SHOWN)



RECOMMENDED PANEL CUTOUT  
 PANEL THICKNESS  $\frac{.067}{1.70}$  MAX.

- NOTES:
1. ALL DIMENSIONS ARE FOR REFERENCE ONLY, EXCEPT WHEN MARKED WITH (\*).
  2. ALL DIMENSIONS ARE GIVEN IN  $\frac{\text{INCHES}}{\text{mm}}$

ENTER DESCRIPTION EC NO: MF2005-0645 DRWN: KATARZIENE 2005/05/16 CHKD: 2005/05/16 APPR: GUMIN 2005/05/17	QUALITY SYMBOLS ▽=0 ▽=0	GENERAL TOLERANCES (UNLESS SPECIFIED)		DIMENSION STYLE IN/MM	SCALE 4:1	DESIGN UNITS INCH	THIRD ANGLE PROJECTION	
		4 PLACES ± --- ± ---	3 PLACES ± --- ± ---	DRAWN BY _____ DATE _____	LC ADAPTER, LOW PROFILE			
		2 PLACES ± --- ± ---	1 PLACE ± --- ± ---	CHECKED BY _____ DATE _____				
		ANGULAR ±1/2°		APPROVED BY _____ DATE _____	MOLEX INCORPORATED			
DRAFT WHERE APPLICABLE MUST REMAIN WITHIN DIMENSIONS		MATERIAL NO. SEE TABLE	DOCUMENT NO. 86124-X0X0CD	SHEET NO. 1 OF 1				
THIS DRAWING CONTAINS INFORMATION THAT IS PROPRIETARY TO MOLEX INCORPORATED AND SHOULD NOT BE USED WITHOUT WRITTEN PERMISSION								