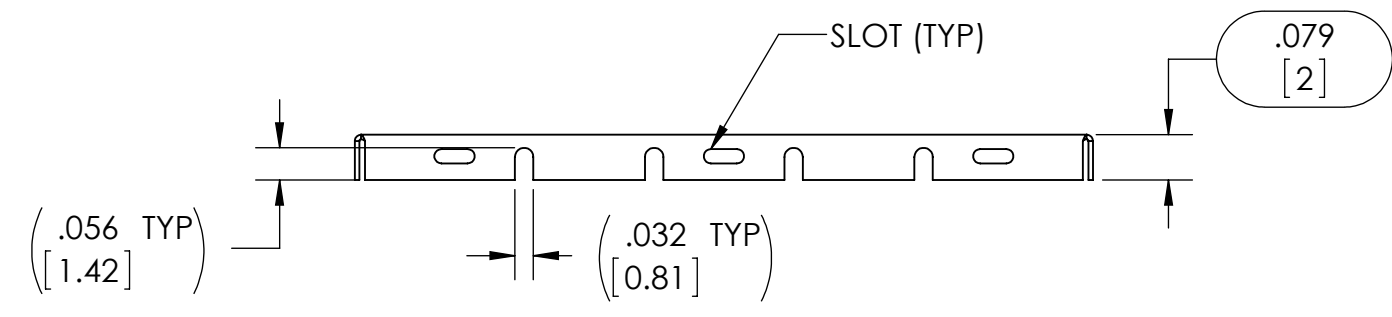
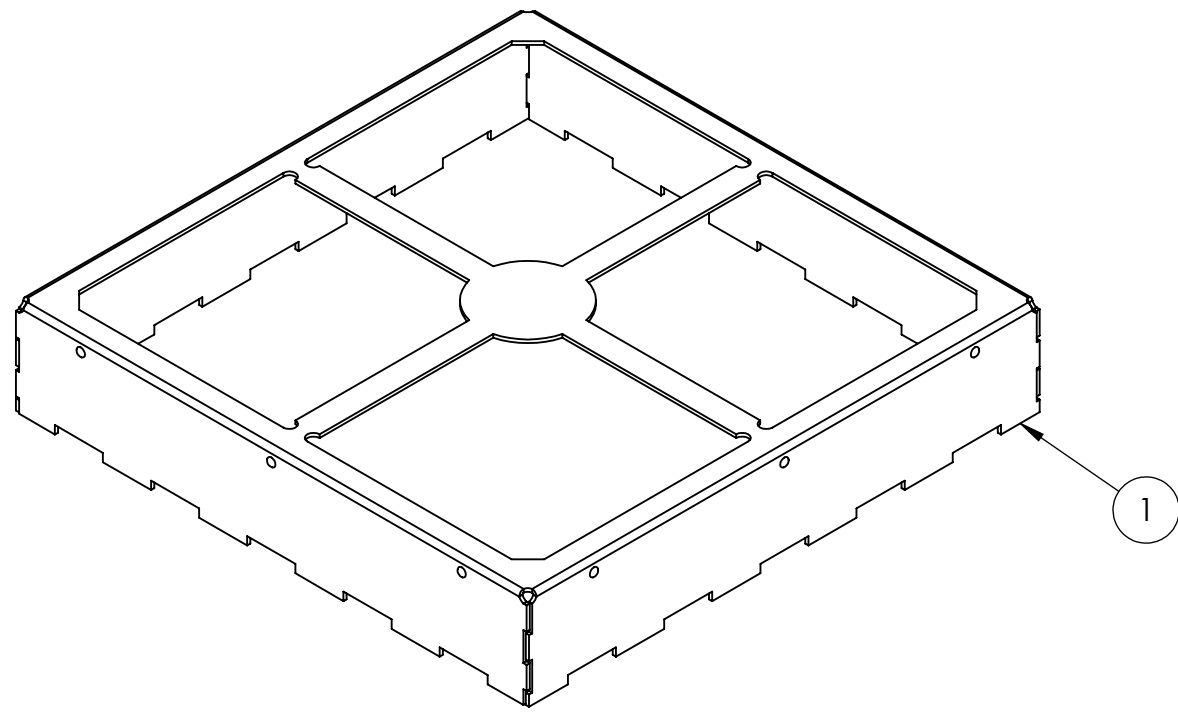
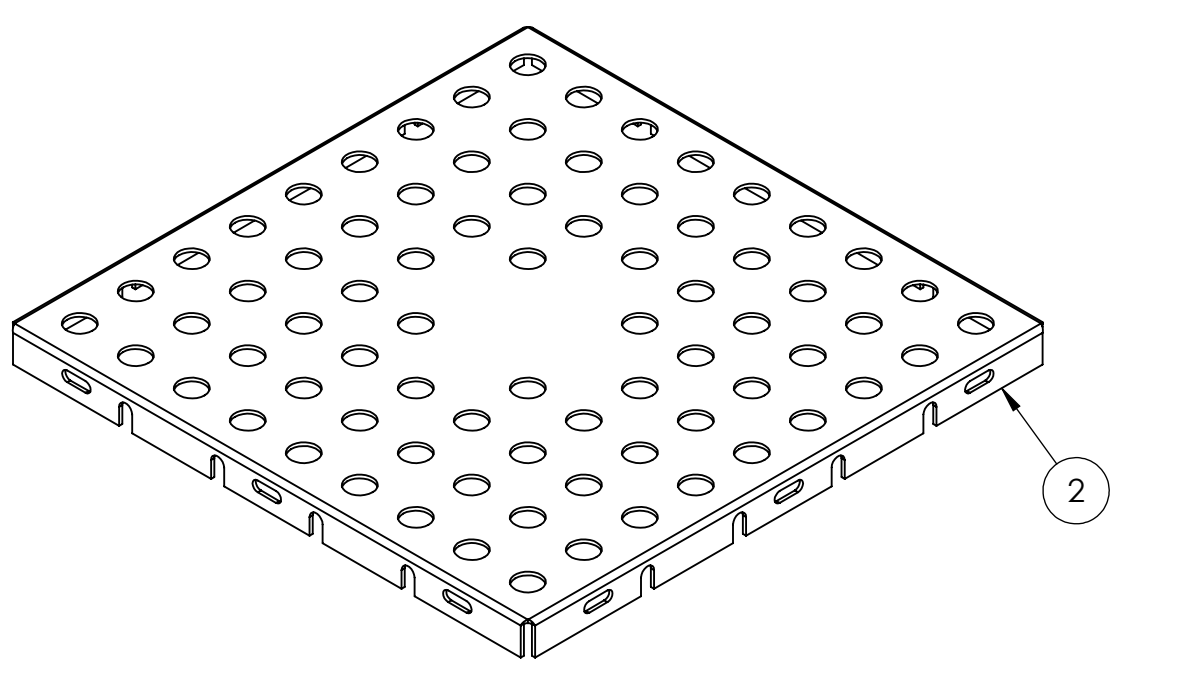
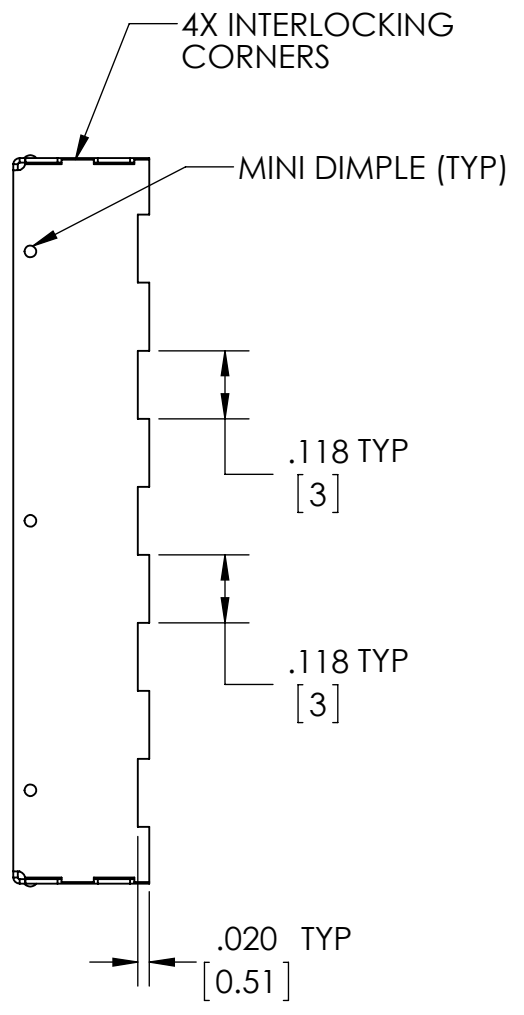
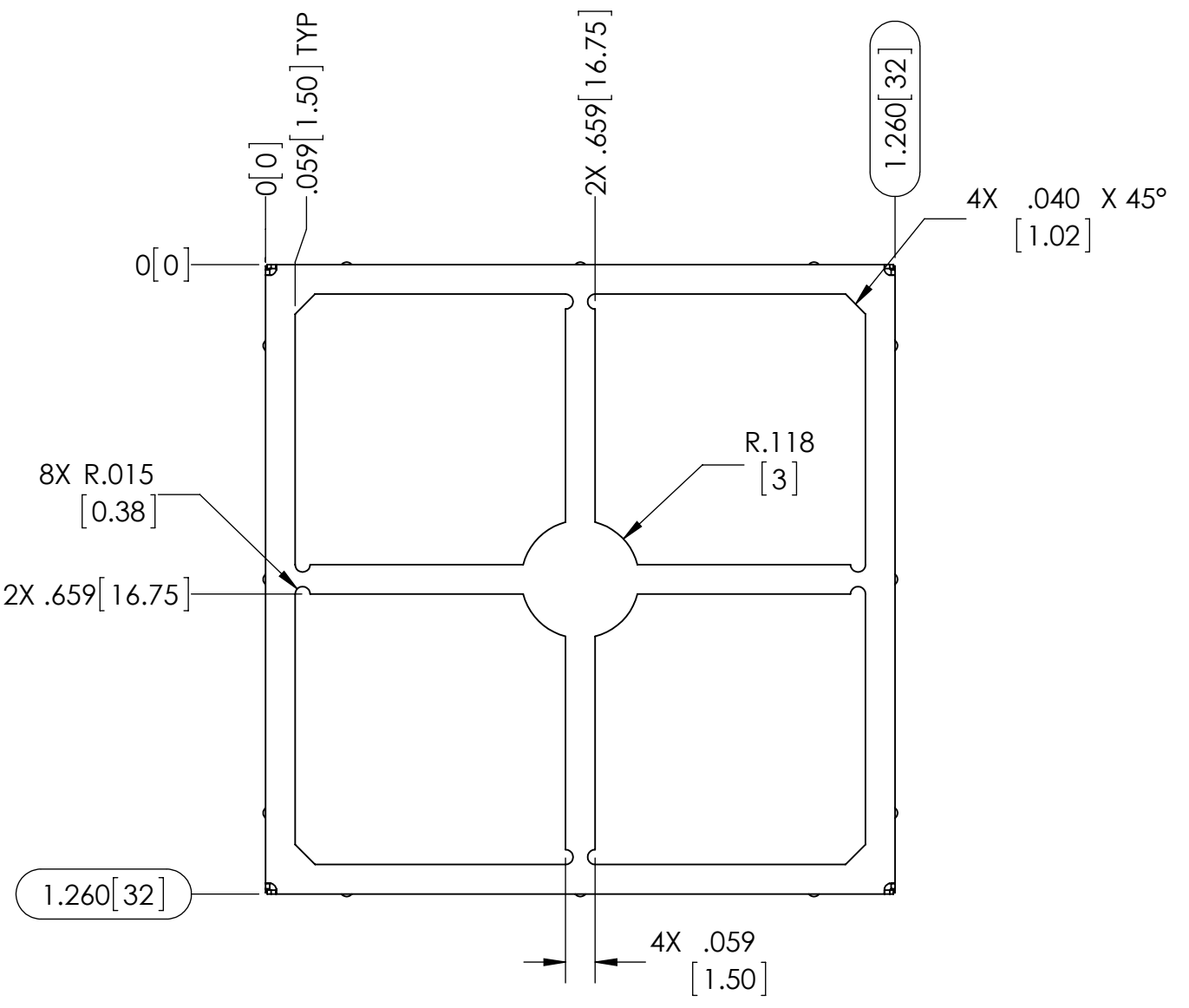
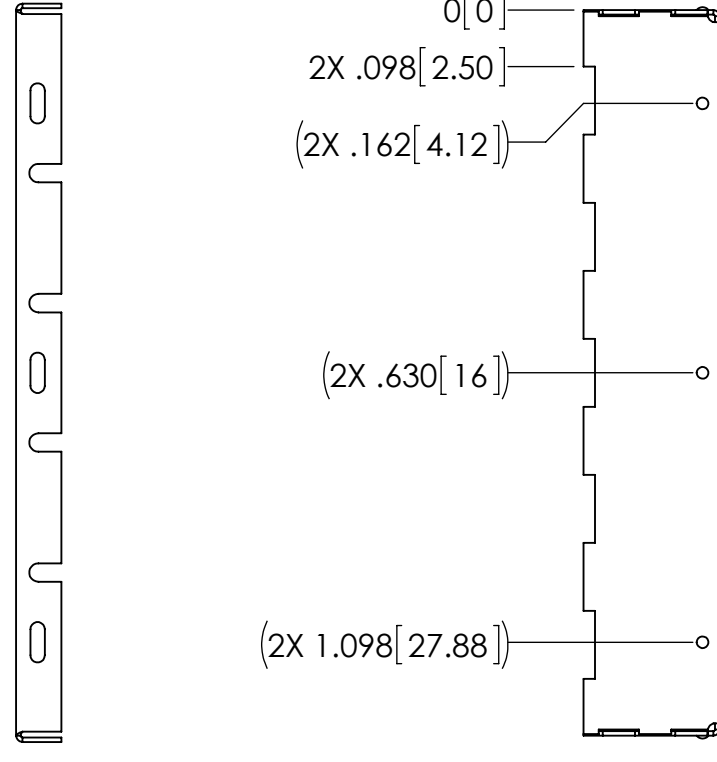
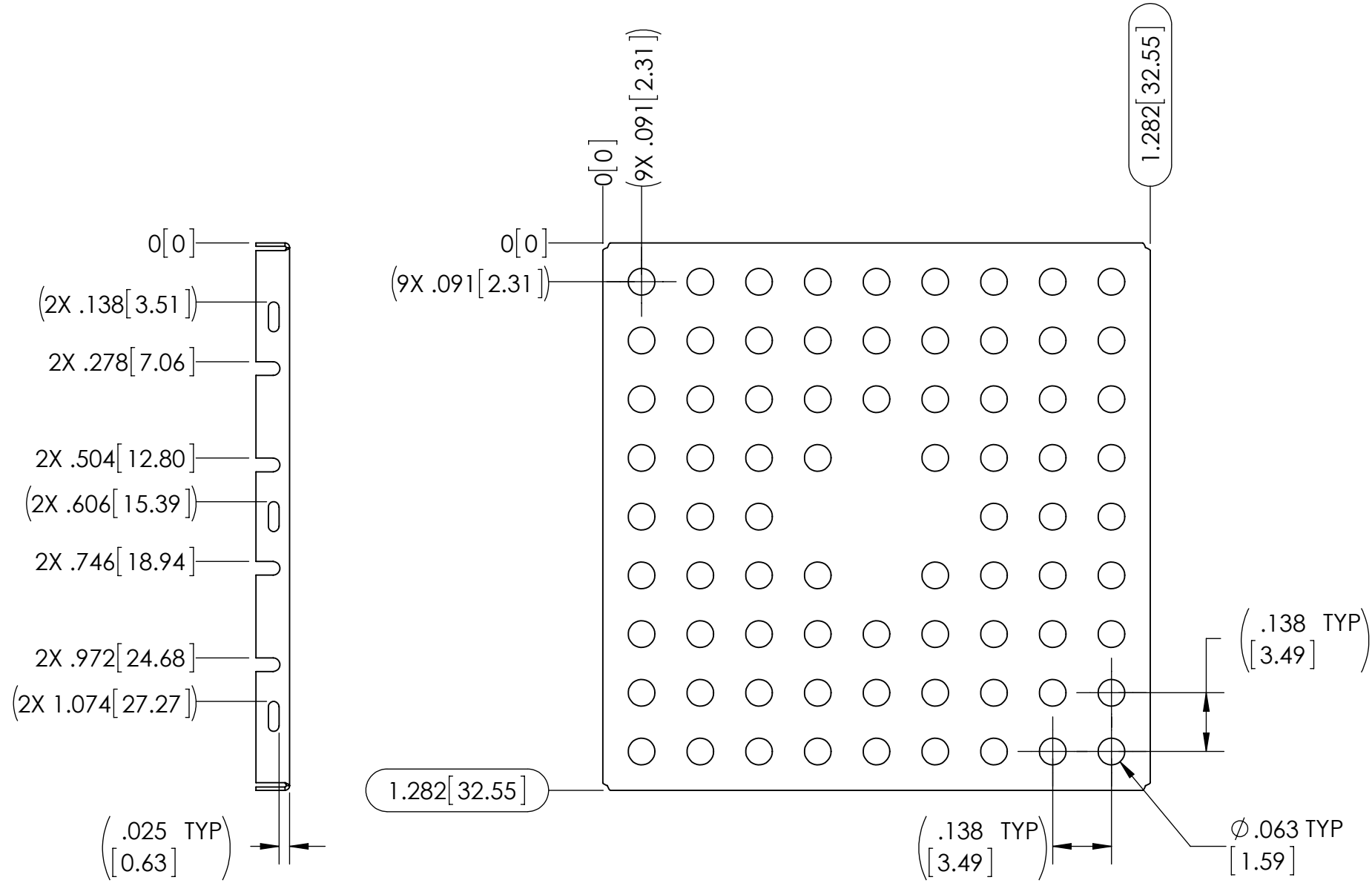
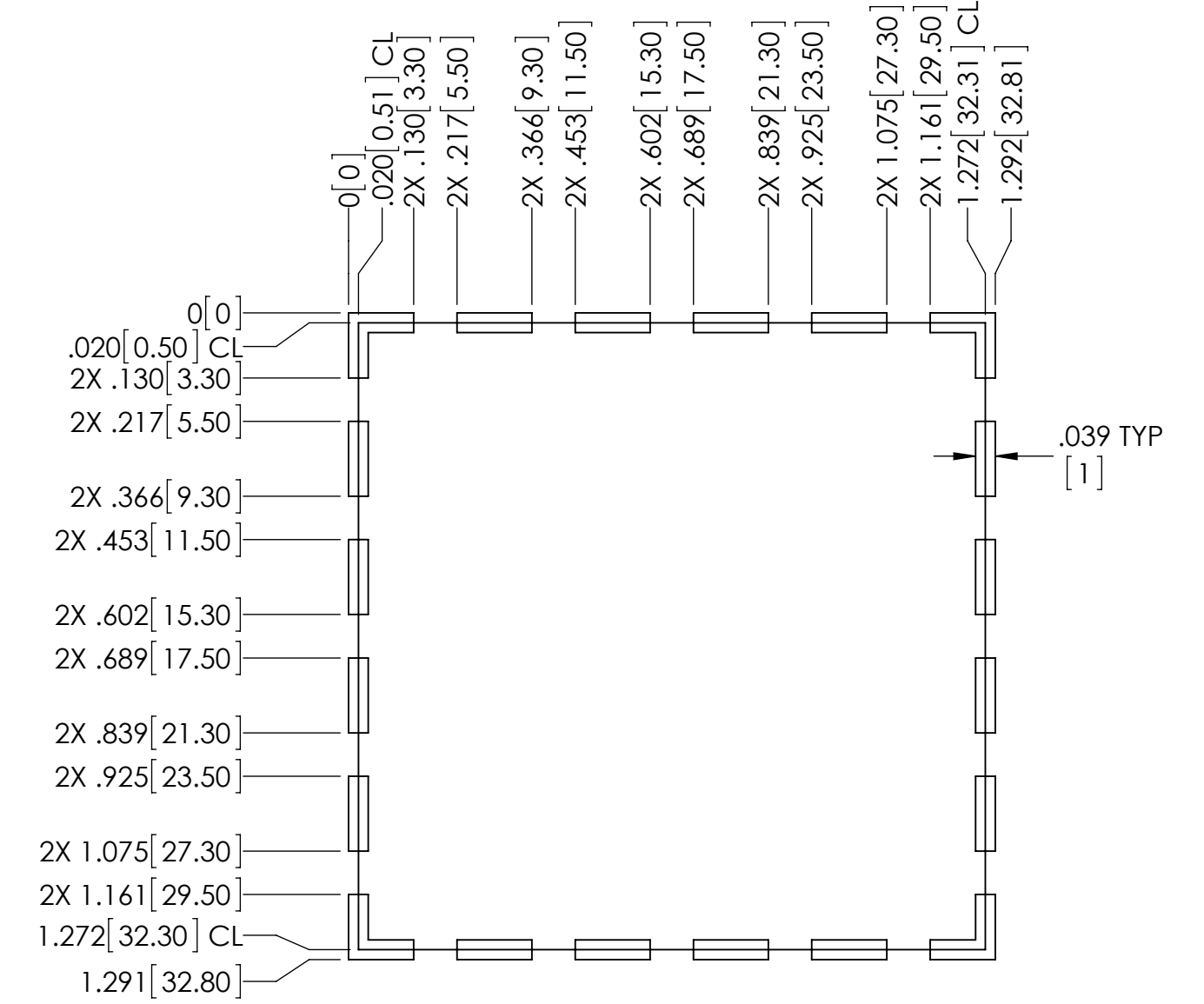
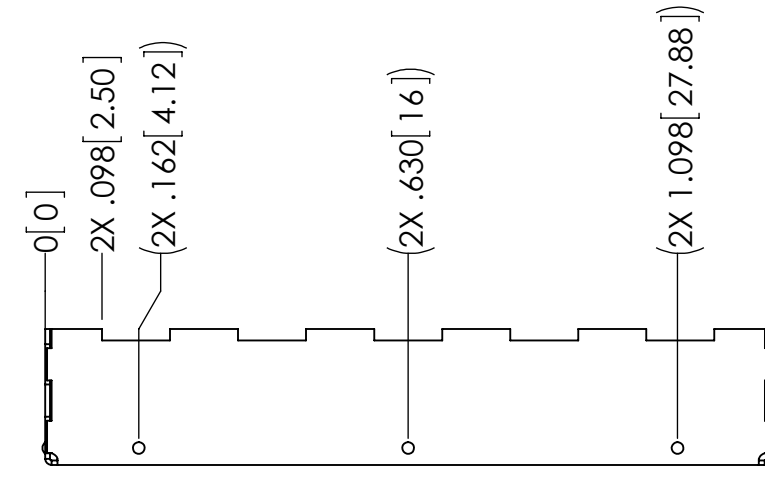
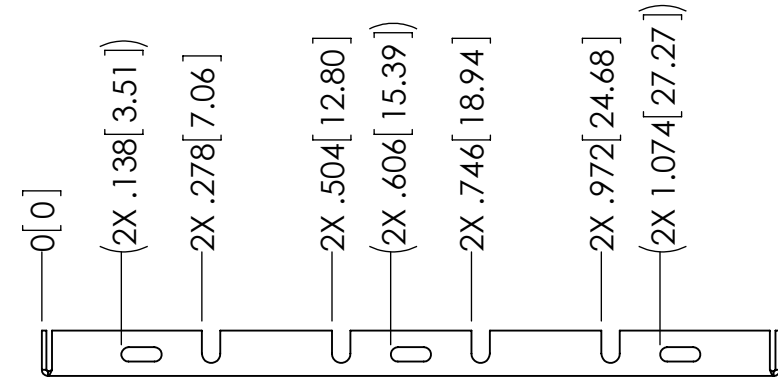
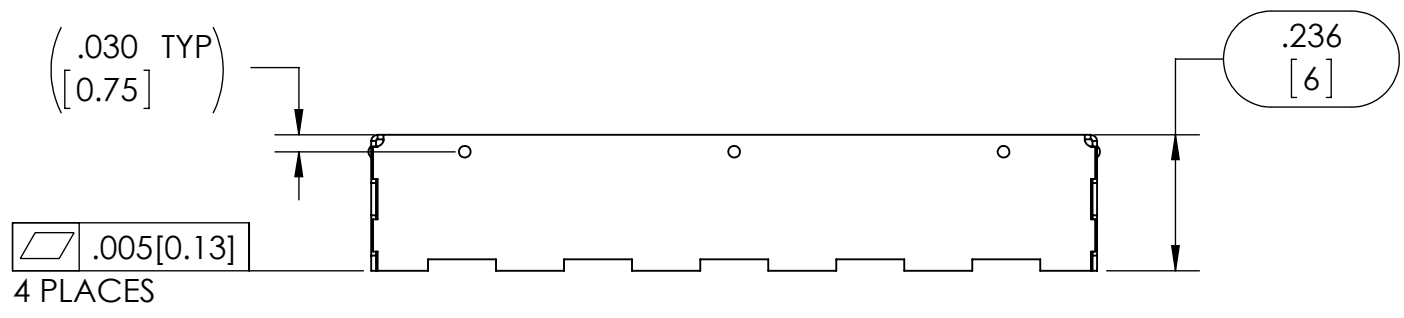


NOTES:

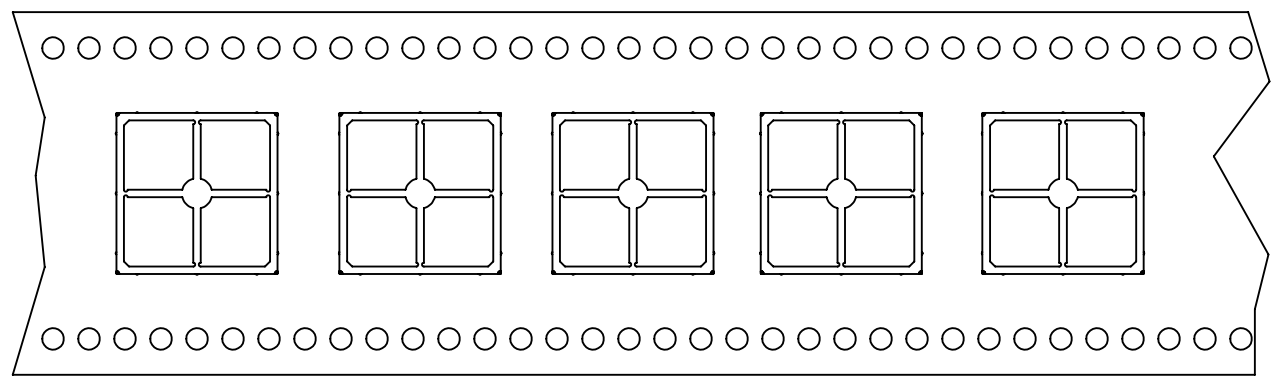
- PART SHALL BE FREE OF BURRS AND SHARP EDGES
- ASSURE ASSEMBLY CAPABILITY BY MATCHING WITH MATING PART
- DIMENSIONS IN [] ARE IN MILLIMETERS



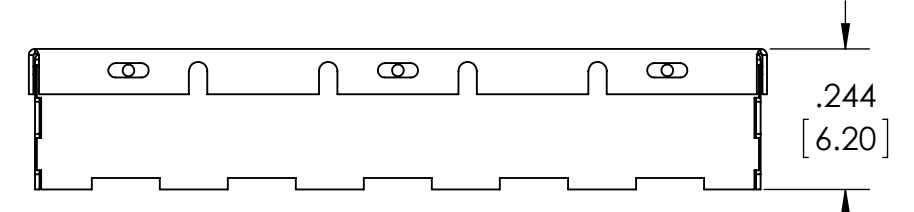
FORMED COVER



FORMED FRAME



CARRIER TAPE



ASSEMBLY

CARRIER TAPE SPECIFICATIONS						
PART NUMBER	DESCRIPTION	OVERALL DIMENSIONS	OVERALL HEIGHT	CARRIER TAPE WIDTH	CARRIER TAPE PITCH	PARTS PER REEL
SMS-204-F	FRAME	1.260 X 1.260 [32.00 X 32.00]	.236 [6.00]	44 mm	36 mm	225
SMS-204-C	COVER	1.282 X 1.282 [32.55 X 32.55]	.079 [2.00]	N/A	N/A	BULK PACK

THIS DOCUMENT CONTAINS PROPRIETARY INFORMATION OWNED BY LEADERTECH. IT IS TO BE USED AT THE USER'S PRIVATE EXPENSE AND MAY NOT BE REPRODUCED, COPIED, OR DISCLOSED IN WHOLE OR IN PART FOR ANY PURPOSE INCLUDING DESIGN, MANUFACTURE OR PROCUREMENT WITHOUT THE WRITTEN PERMISSION OF LEADERTECH. LEADERTECH DOES NOT GUARANTEE OR WARRANT THE PERFORMANCE CHARACTERISTICS.

ITEM NO.	PART NUMBER	DESCRIPTION	QTY.
1	SMS-204 F	FRAME	1
2	SMS-204 C	COVER	1

UNLESS OTHERWISE SPECIFIED: - ALL DIMENSIONS ARE IN INCHES - PART SHALL BE FREE OF BURRS AND SHARP EDGES - ALL DIMENSIONS SHOWN APPLY BEFORE PLATING AND COATINGS - ROHS COMPLIANT PER EU DIRECTIVE 2011/65/EU - POI = POINT OF INTERSECTION		THIRD ANGLE PROJECTION		
DRAWN BY: M. PAUL 07/28/2009		APPROVED BY: -		
SCALE: 3:1	DWG. NO.: 4J674	SHEET: 1 OF 1		