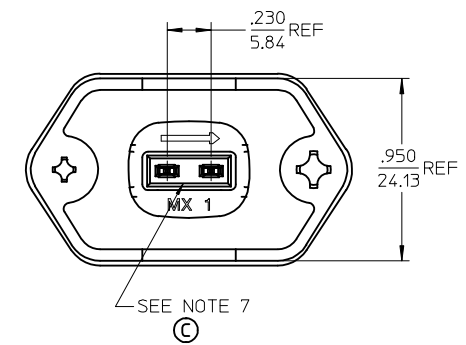
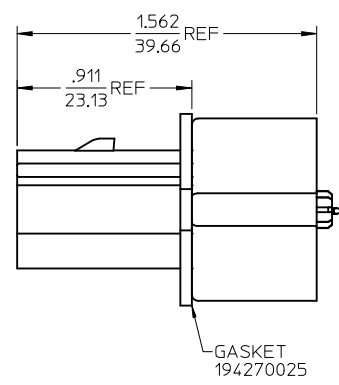
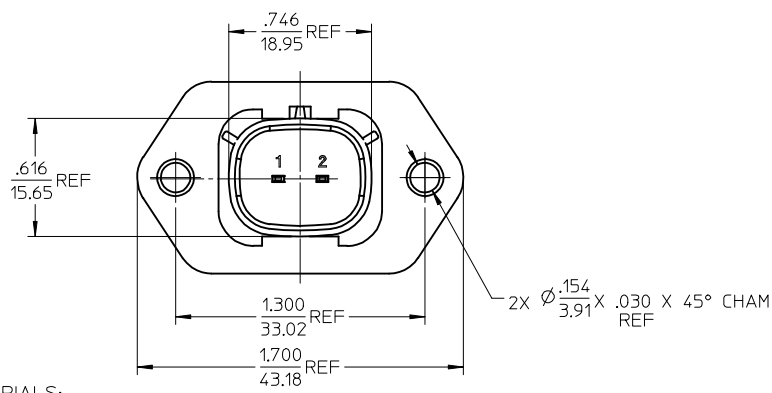
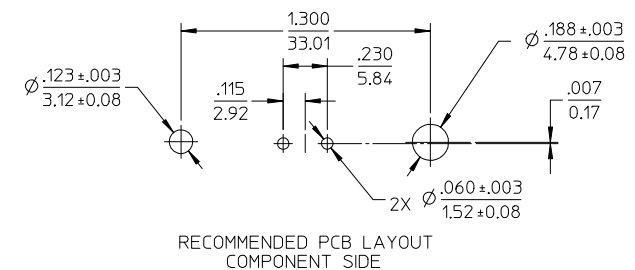
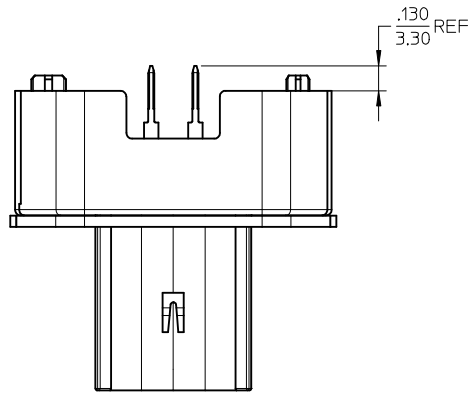
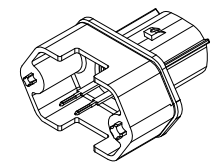
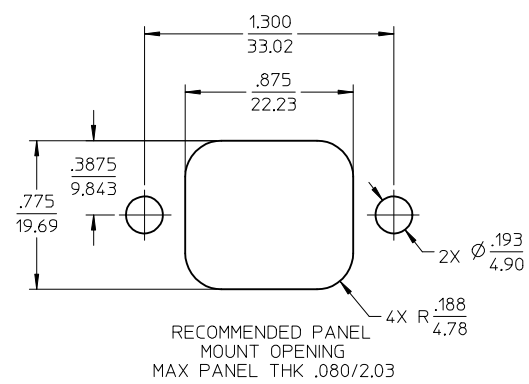


MATERIAL NUMBER	TERMINAL FINISH	TERMINAL PIN POTTING
19428-0007	TIN	NO
19428-0017	TIN/GOLD	
19428-0038	TIN	YES
19428-0039	TIN/GOLD	



- NOTES:
- MATERIALS:
HOUSING: POLYESTER (PBT), GLASS FILLED, UL94 V-0,
COLOR: BLACK
TERMINALS: COPPER ALLOY
TERMINAL POTTING AS APPLICABLE: ELASTOMERIC SILICONE
 - FINISHES: 1. TIN ONLY: 100µN TIN OVER 50µN NICKEL
2. TIN/GOLD: 30µN SELECT GOLD (CONTACT MATING AREA),
100µN SELECT TIN (PCB TAIL AREA) OVER 50µN NICKEL OVERALL
 - PRODUCT SPECIFICATION: PS-19428-001.
 - PACKAGING SPECIFICATION: PK-19428-001.
 - MATES WITH: 19418 SERIES RECEPTACLE ASSEMBLIES.
 - RECOMMENDED MOUNTING HARDWARE: (2) #10 X .62/18.9 LONG PLASTIC
THREAD CUTTING SCREWS. RECOMMENDED TORQUE 15-17 IN-LBS.
SUGGESTED SOURCE: ITW SHAKEPROOF INDUSTRIAL BOSSCREW OR EQUIVALENT.
 - ELASTOMERIC SILICONE APPLIED IN TERMINAL WELLS. SEE CHART.
 - ASSEMBLY IS ROHS COMPLIANT.

REV	DESCRIPTION
1	ADDED MAT. NOS. EC NO: ETC2007-0238 DRWN: JPAWLICK 2006/12/11 CHKD: JPAWLICK 2006/12/11 APPR: JPAWLICK 2006/12/12

GENERAL TOLERANCES (UNLESS SPECIFIED)	
mm	INCH
4 PLACES ± .005	± .0005
3 PLACES ± .003	± .0003
2 PLACES ± .002	± .0002
1 PLACE ± .001	± .0001
ANGULAR ± 1°	

DRAFT WHERE APPLICABLE
MUST REMAIN
WITHIN DIMENSIONS

DIMENSION STYLE	
IN/MM	
DRAWN BY	DATE
DMYRICK	04/06/25
CHECKED BY	DATE
JPAWLICK	04/06/25
APPROVED BY	DATE
RDEROSS	04/06/25

SCALE	DESIGN UNITS	THIRD ANGLE PROJECTION
2:1	INCH	☉

TITLE
2-WAY STRAIGHT HEADER ASSEMBLY, LONG VERSION

MATERIAL NO. SEE CHART
DOCUMENT NO. SD-19428-009
SHEET NO. 1 OF 1

MOLEX INCORPORATED

THIS DRAWING CONTAINS INFORMATION THAT IS PROPRIETARY TO MOLEX INCORPORATED AND SHOULD NOT BE USED WITHOUT WRITTEN PERMISSION