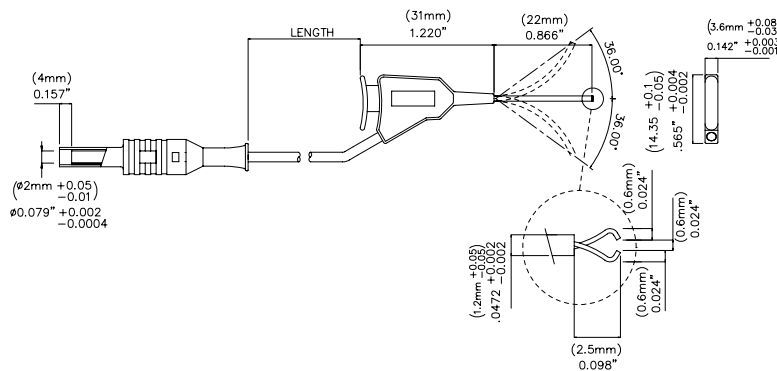


**Models 72907**

**Mini SMD Grabber Test Clip with Lead and 2mm Jack**



**Test lead with Mini Smd  
Grabber Test Clip to 2mm Jack**

**Features**

- Mini SMD Grabber Test Clip (Pomona 72906) with 20 inch (50cm) lead and 2mm Jack. (Black)

**Materials**

- Connector Body is Nickel plated Brass.
- Connector insulation is Polypropylene
- 0.8mm Socket is Gold over Nickel plated Brass.
- Insulation of 0.8mm is Elastomere
- Wire is Silicone.

**Ordering Information**

Model: 72907-20-Color

Available Colors: Black (-0), Red (-2)

**Specifications**

|                    |                   |
|--------------------|-------------------|
| Max Current        | Max. 1A           |
| Max Voltage        | 33 V AC / 70 V DC |
| Temperature Rating | -20° C + 80° C    |
| Max Resistance     | Less than 8 mΩ    |

**Rating:** *hands free testing* in controlled environment: 70Vrms max. For CE compliance: Not intended for hand-held use at voltages above 33Vrms/70Vdc

**USA:** Sales: 800-490-2361 Technical Support: 800-241-2060 Fax: 888-403-3360

**Europe:** 31-(0) 40 2675 150 **International:** 425-446-5500

**e-mail:** [technicalsupport@pomonatest.com](mailto:technicalsupport@pomonatest.com)

**Where to Buy:** [www.pomonaelectronics.com](http://www.pomonaelectronics.com)

All dimensions are in inches. Tolerances (except noted): .xx = ±.02" (.51 mm), .xxx = ±.005" (.127 mm). All specifications are to the latest revisions. Specifications are subject to change without notice. Registered trademarks are the property of their respective companies.