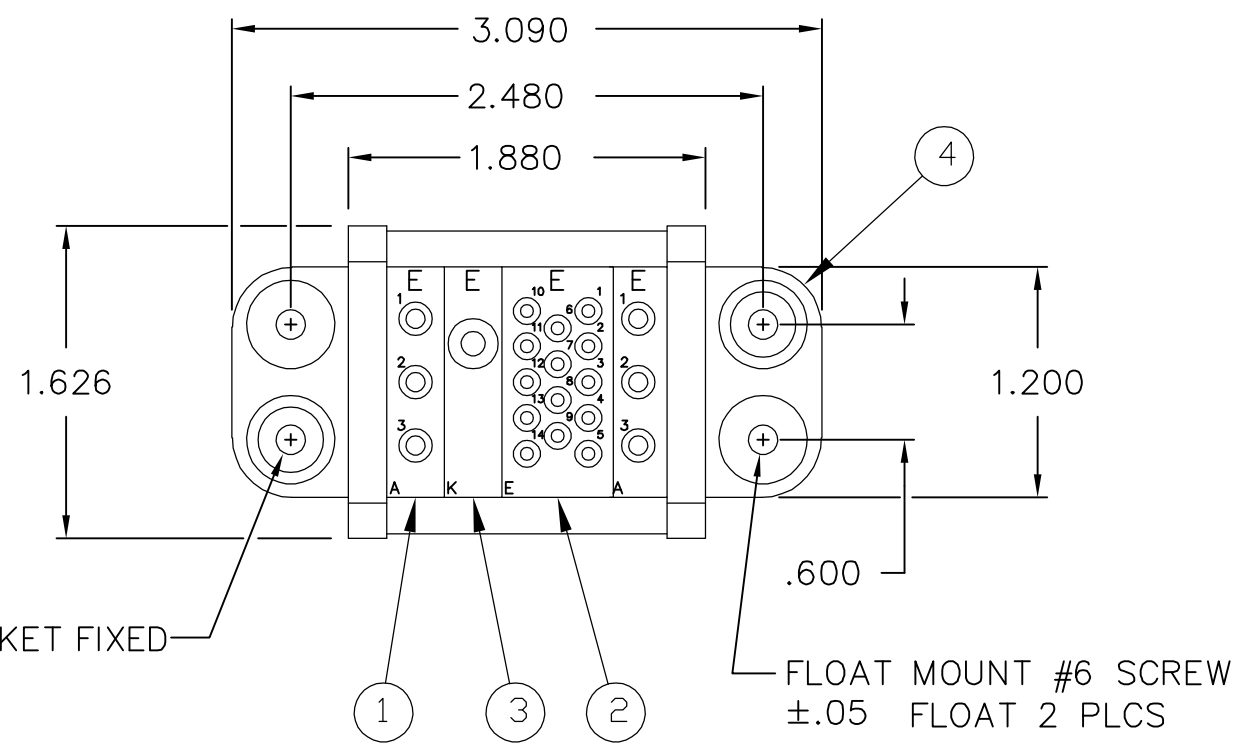


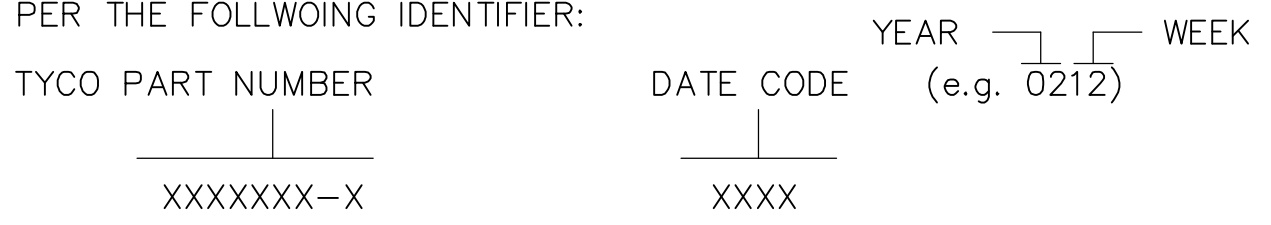
THIS DRAWING IS UNPUBLISHED. RELEASED FOR PUBLICATION
 © COPYRIGHT BY TYCO ELECTRONICS CORPORATION. ALL RIGHTS RESERVED.

LOC	DIST	REVISIONS					
GP	00	P	LTR	DESCRIPTION	DATE	DWN	APVD
			A	RELEASED	31MAY06	RG	SF



1. PART NUMBER CHANGES AND/OR DESIGN CHANGES AFFECTING ITEM INTERCHANGABILITY REQUIRE PRIOR TYCO APPROVAL AND AUTHORIZATION BY REVISION TO THIS DRAWING.

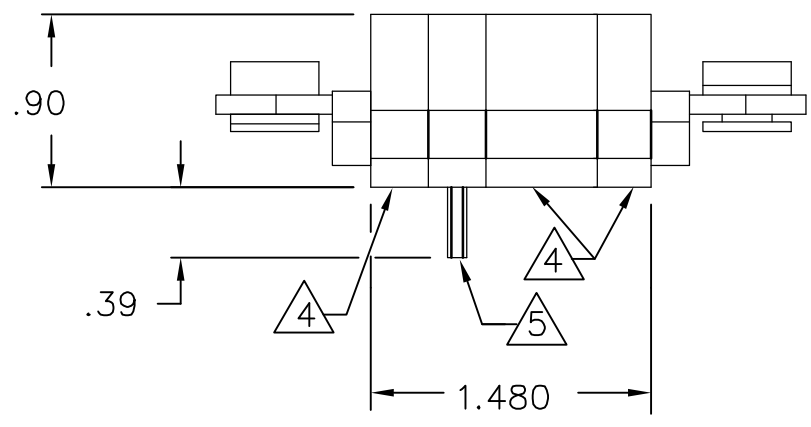
2. ITEMS PROVIDED TO THIS SPECIFICATION TO BE PERMANENTLY IDENTIFIED PER THE FOLLWOING IDENTIFIER:



4 MODULES NOTED ARE CRIMP REMOVABLE STYLE. CONTACTS ARE NOT SUPPLIED WITH CONNECTOR. CONTACT PART NO'S ARE AS FOLLOWS:

- 6648318-1 (SOCKET #12)
- 6648319-1 (SOCKET #16)

5 TYCO CRIMP TOOL P/N 1766453-1 IS REQUIRED AND IS NOT SUPPLIED WITH ASSEMBLY.



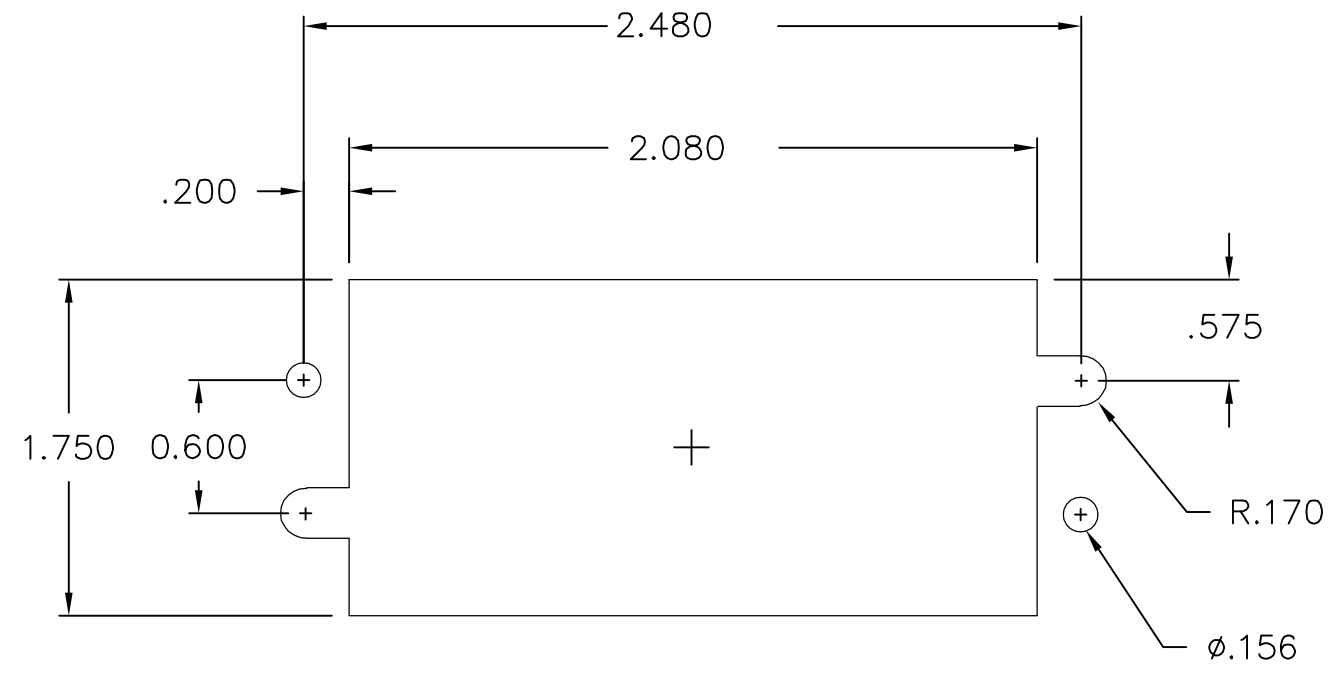
2	6648252-1	GUIDE SOCKET FLOAT MOUNT	4
1	6648476-1	MODULE K	3
1	1648470-1	MODULE E	2
2	1648466-1	MODULE A	1
-1	PART NUMBER	DESCRIPTION	ITEM NO.

THIS DRAWING IS A CONTROLLED DOCUMENT.		DWN	31MAY2006		Tyco Electronics Corporation	
		CHK	31MAY06		Harrisburg, PA 17105-3608	
		APVD	31MAY06		NAME	
		S.FLICKINGER		SOCKET CONNECTOR		
		S.FLICKINGER		DOMINO		
		PRODUCT SPEC		W/ PANEL CUT-OUT		
		APPLICATION SPEC		SIZE	CAGE CODE	DRAWING NO
		WEIGHT		A3	00779	C-6643949
		CUSTOMER DRAWING		SCALE	SHEET	REV
				1:1	1 OF 2	A

DIMENSIONS:	TOLERANCES UNLESS OTHERWISE SPECIFIED:
INCHES	
	0 PLC ± -
	1 PLC ± -
	2 PLC ± .032
	3 PLC ± .016
	4 PLC ± -
	ANGLES ± .5
MATERIAL	FINISH
-	-

THIS DRAWING IS UNPUBLISHED. RELEASED FOR PUBLICATION
 © COPYRIGHT - BY TYCO ELECTRONICS CORPORATION. ALL RIGHTS RESERVED.

LOC	DIST	REVISIONS					
GP	00	P	LTR	DESCRIPTION	DATE	DWN	APVD
		-		SEE SHEET 1	-	-	-



SUGGESTED PANEL CUT-OUT

THIS DRAWING IS A CONTROLLED DOCUMENT.		DWN R.GRZYBOWSKI 31MAY2006	Tyco Electronics Corporation Harrisburg, PA 17105-3608		
DIMENSIONS: INCHES		CHK S.FLICKINGER 31MAY06	NAME		
		APVD S.FLICKINGER 31MAY06	SOCKET CONNECTOR DOMINO W/ PANEL CUT-OUT		
TOLERANCES UNLESS OTHERWISE SPECIFIED:		PRODUCT SPEC	RESTRICTED TO		
0 PLC ± -		APPLICATION SPEC	SIZE	CAGE CODE	DRAWING NO
1 PLC ± -		WEIGHT	A3 00779		C=6643949
2 PLC ± .032		CUSTOMER DRAWING			
3 PLC ± .016		SCALE 1:1		SHEET 2 OF 2	
4 PLC ± -		REV A			
ANGLES ± .5					
MATERIAL					
FINISH					