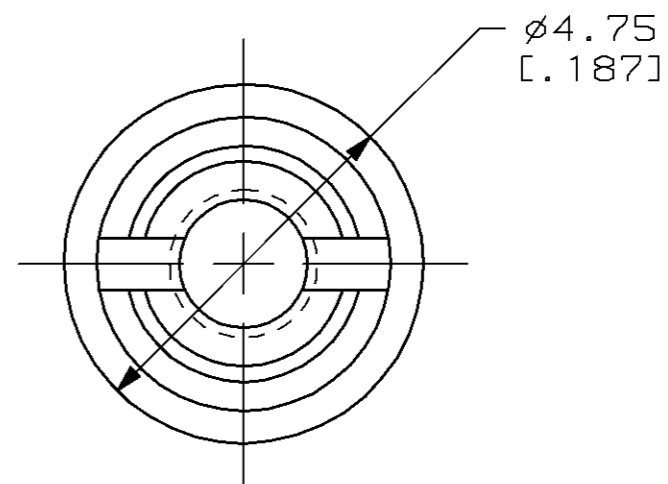
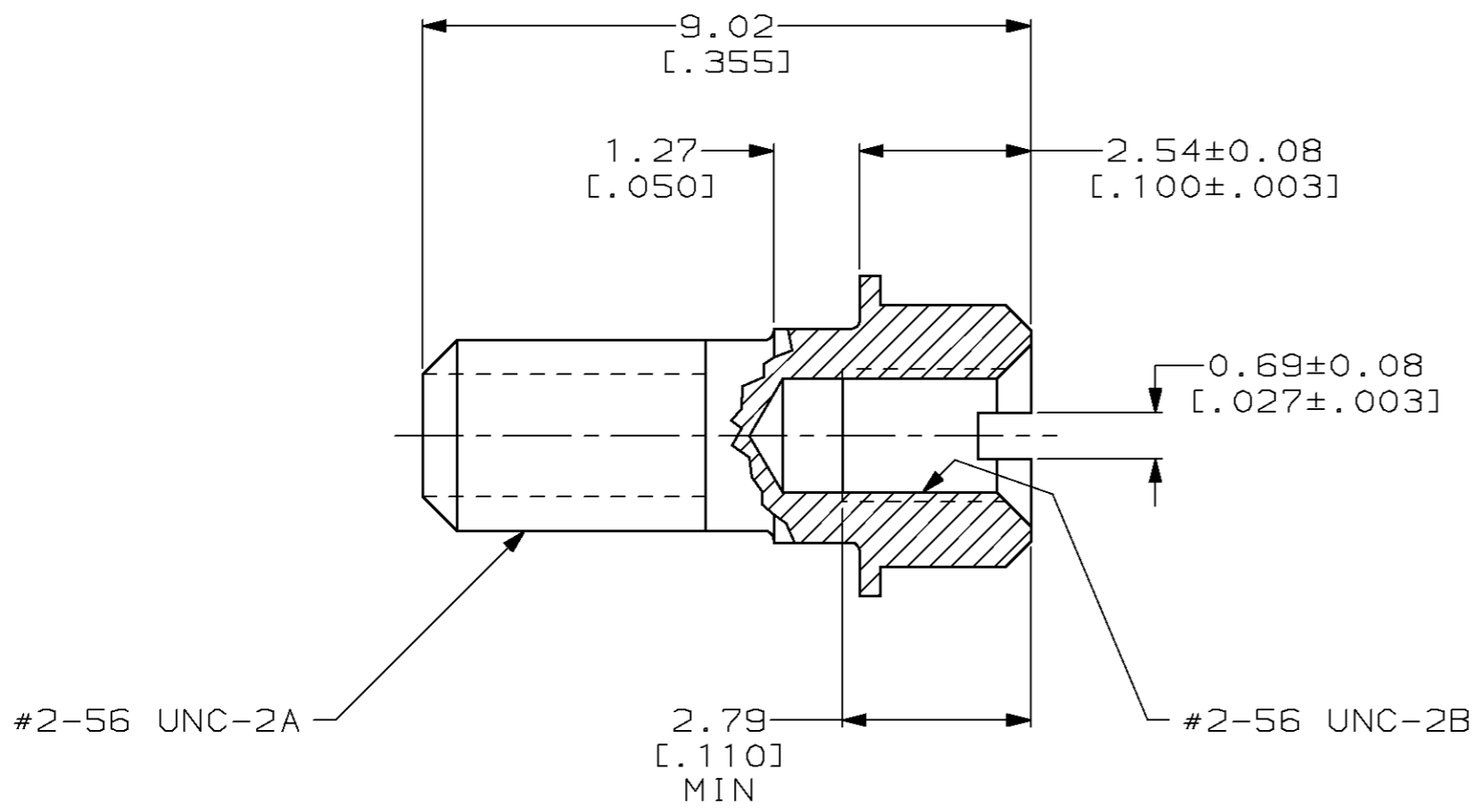


THIS DRAWING IS UNPUBLISHED. RELEASED FOR PUBLICATION, 19 .
 © COPYRIGHT 19 BY AMP INCORPORATED. ALL RIGHTS RESERVED.

LOC	DIST	REVISIONS			
P	LTR	DESCRIPTION	DATE	DWN	APVD
BD	95	0	RELEASED -2	15 JUN 98	-



750643-2
 PART NUMBER

THIS DRAWING IS A CONTROLLED DOCUMENT.		DWN B. CARBO	15 JUN 98	 AMP Incorporated Harrisburg, PA 17105-3608
DIMENSIONS: mm [INCHES]		CHK R. STONE	16 JUN 98	
TOLERANCES UNLESS OTHERWISE SPECIFIED:		APVD D. ALBERT	16 JUN 98	
0 PLC ±- 1 PLC ±- 2 PLC ±0.13 [.005] 3 PLC ±- 4 PLC ±- ANGLES ±-		PRODUCT SPEC 108-1228	NAME SCREWLOCK, FEMALE, AMPLIMITE™ .050 SERIES	
MATERIAL STAINLESS STEEL	FINISH -	APPLICATION SPEC 114-40029	WEIGHT -	SIZE A3
CUSTOMER DRAWING			SCALE 10:1	CAGE CODE 00779
			DRAWING NO 750643	RESTRICTED TO -
			SHEET 1 OF 1	REV 0