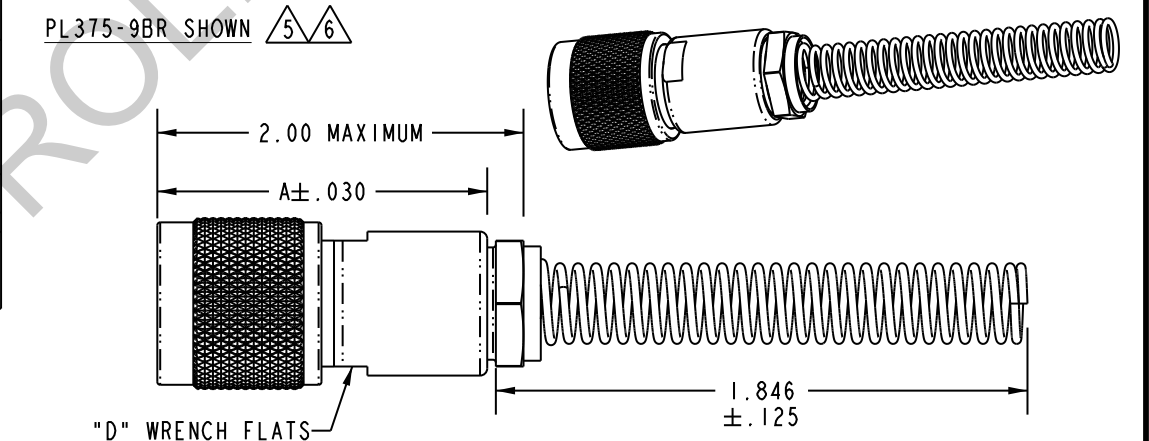
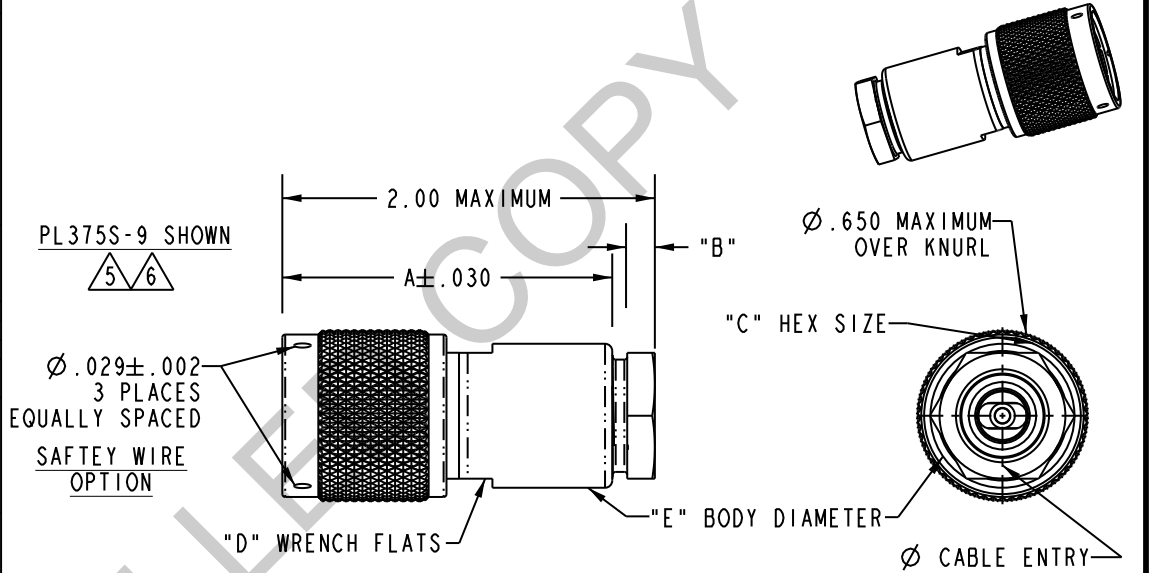


DASH NO	CABLES ACCOMMODATED	TABLE 1					CABLE ENTRY DIA	ASSEMBLE PER	CABLE TYPE						
		A DIM	B DIM	C FLATS	D FLATS	E DIA									
-7	TRC-50-2 TRC-75-2	1.165	.096	.438	.438	.500	.274	TAI-189	TRIAx						
-8	8227, BELDEN	1.740	.130	.625	.688	.750	.345	TAI-103	TWINAX						
-9	TWC-78-2 TWC-124-2	1.165	.096	.438	.438	.500	.285	TAI-102							
-A9 3	BL782, TIMES BL982, TIMES BL1242, TIMES		3	3				TAI-102							
-10	RG-22 754E, AT&T							TAI-103							
-11	760A, AT&T			.347			TAI-103								
-12	16PEVL, AT&T VI-AL, GENERAL	1.740	.130	.625	.688	.750	.485	TAI-128							
-13	TRF-59, TIMES						.362	TAI-129							
-13A	8232, BELDEN						.352	TAI-165							
-14	8233, BELDEN						.490	TAI-129							
-23	250-3884, MICRODOT						.183	TAI-189							
-24	202-3934, MICRODOT						.191	TAI-102							
-24A	9530A5117, RAYCHEM						.200	TAI-189							
-25	T-43M, GENERAL						.285	TAI-102							
-25A	5021H5331, RAYCHEM						.285	TAI-189							
-26	7028A5518, RAYCHEM						.191	TAI-189							
-27	1191PSJ2619EN, WOVEN 202-3927, MICRODOT 202-3942, MICRODOT	1.165	.096	.438	.438	.500	.145	TAI-102	TWINAX						
-29	TWC-78-1/TWC-124-1A							TAI-102	TWINAX						
-30	761A, AT&T 8441, BELDEN												.235	TAI-189	TRIAx
-32	TRC-50-1												.191		
-33	TRC-75-1												.217		
-42	21-204, ESSEX 4463, CONSOLIDATED												.300		
-43	250-4044/250-4045 293-3930, MICRODOT												.200	TAI-102	TWINAX
-45	M27500-22TE2114 1100-66F, STANDARD												.183		
-46	9860, BELDEN							1.740	.130	.625	.688	.750	.475		
-47	M177176-00002							1.165	.096	.438	.438	.500	.184	TAI-102	
-49	TWAC-78-1F2						.132	TAI-103	TWINAX						
-54	89207, BELDEN	1.740	.130	.625	.688	.750	.323								
-55	89272, BELDEN						.250	TAI-102							
-56	GC875GCI, GRUMMAN	1.165	.096	.438	.438	.500	.191	TAI-189	TRIAx						
-57	GC875GB1, GRUMMAN							TAI-102	QUADRAX						
-58	GC875TM24H, GRUMMAN							TAI-189	TRIAx						
-59	GC875LNI, GRUMMAN							TAI-189	TRIAx						
-60	M177177, THERMATICS							TAI-189	TRIAx						
-64	380-10045, BOEING 7528A5314, RAYCHEM						.183								

REV		DESCRIPTIONS	DATE	APPROVED
AD	ECO 52460		6/18/10	CSM



- 6 IF SAFETY WIRE TYPE & BEND RELIEF SPRING RECD ADD SUFFIX "SBR" TO MODEL NO (NOT AVAILABLE WITH CABLE GROUPS -8, -10, -11, -12, -13, -13A, -14, -46, & -54)
 - 5 IF BEND RELIEF SPRING RECD (SEE FIG 2) ADD SUFFIX "BR" TO MODEL NO (NOT AVAILABLE WITH CABLE GROUPS -8, -10, -11, -12, -13, -13A, -14, -46, & -54)
 - 4 IF SAFETY WIRE TYPE RECD ADD SUFFIX "S" TO MODEL NO (PL375S)
 - 3 CLAMP NUT OMITTED
 - 2 CONCENTRIC TWINAX/TRIAx TRT CABLE PLUG
 - 1 FINISH: TFS-1A (NICKEL)
- NOTES: UNLESS OTHERWISE SPECIFIED.

7. EXAMPLE OF COMPLETE MODEL NO:
PL375 S -7 BR

BASIC MODEL NO _____ BEND RELIEF (OMIT IF NOT RECD) _____

SAFETY WIRE TYPE (OMIT IF NOT RECD) _____ DASH NO (CABLE GROUP, TABLE 1) _____

INTERPRET DRAWING PER MIL-STD-100. DIMENSIONS ARE IN INCHES AND INCLUDE FINISH THICKNESS UNLESS OTHERWISE SPECIFIED.		TOL: UNLESS SPECIFIED. .XX ± .02 .XXX ± .010 .XXXX ± .0010 ANGLE ± 1° 00' CRITICAL		 Cinch Connectivity Solutions 299 Johnson Ave. Ste. 100 Waseca, MN 56093 1-800-247-8256	
DRW	BPK	7/29/11		MATERIAL:	
CHK	CSM	8/1/11		FINISH:	
QUALITY			1		TITLE:
MANUF					PL375 / PL375S PL375BR / PL375SBR
APPROVED					SIZE
PROF TITLE NO	315-0011		DO NOT SCALE DWG		CAGE CODE
				14949	
				DRAWING NO.	
				315-0011	
				REV.	
				AD	
				SCALE	
				1/1	
				DATE	
				5/23/73	
				SHEET	
				1 OF 2	