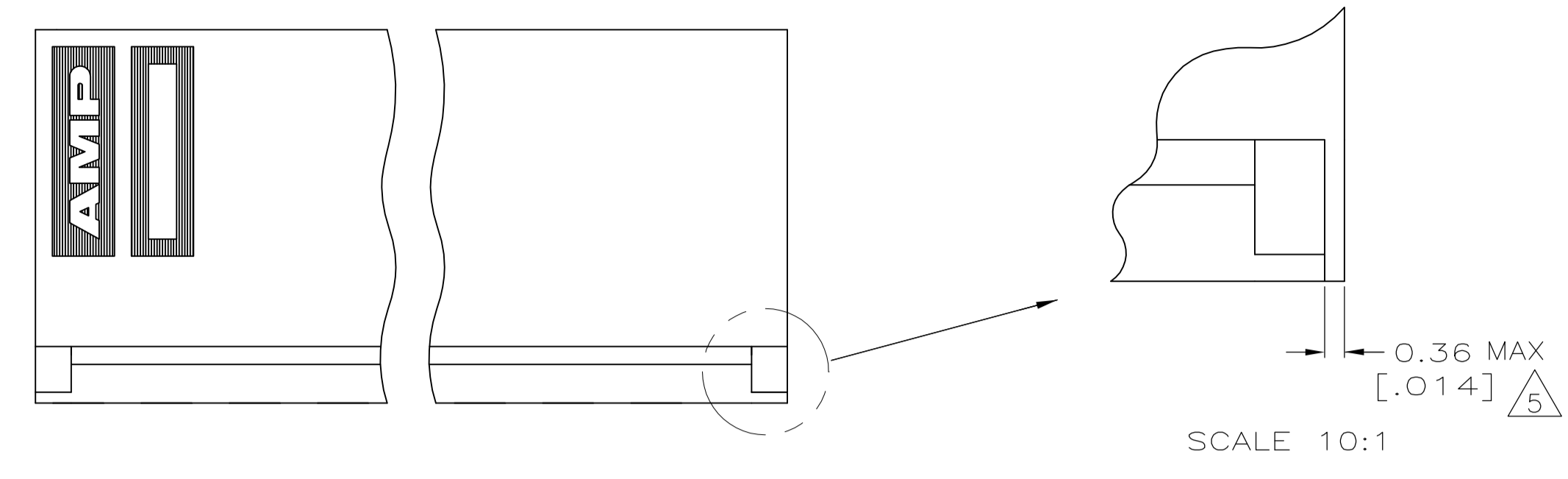
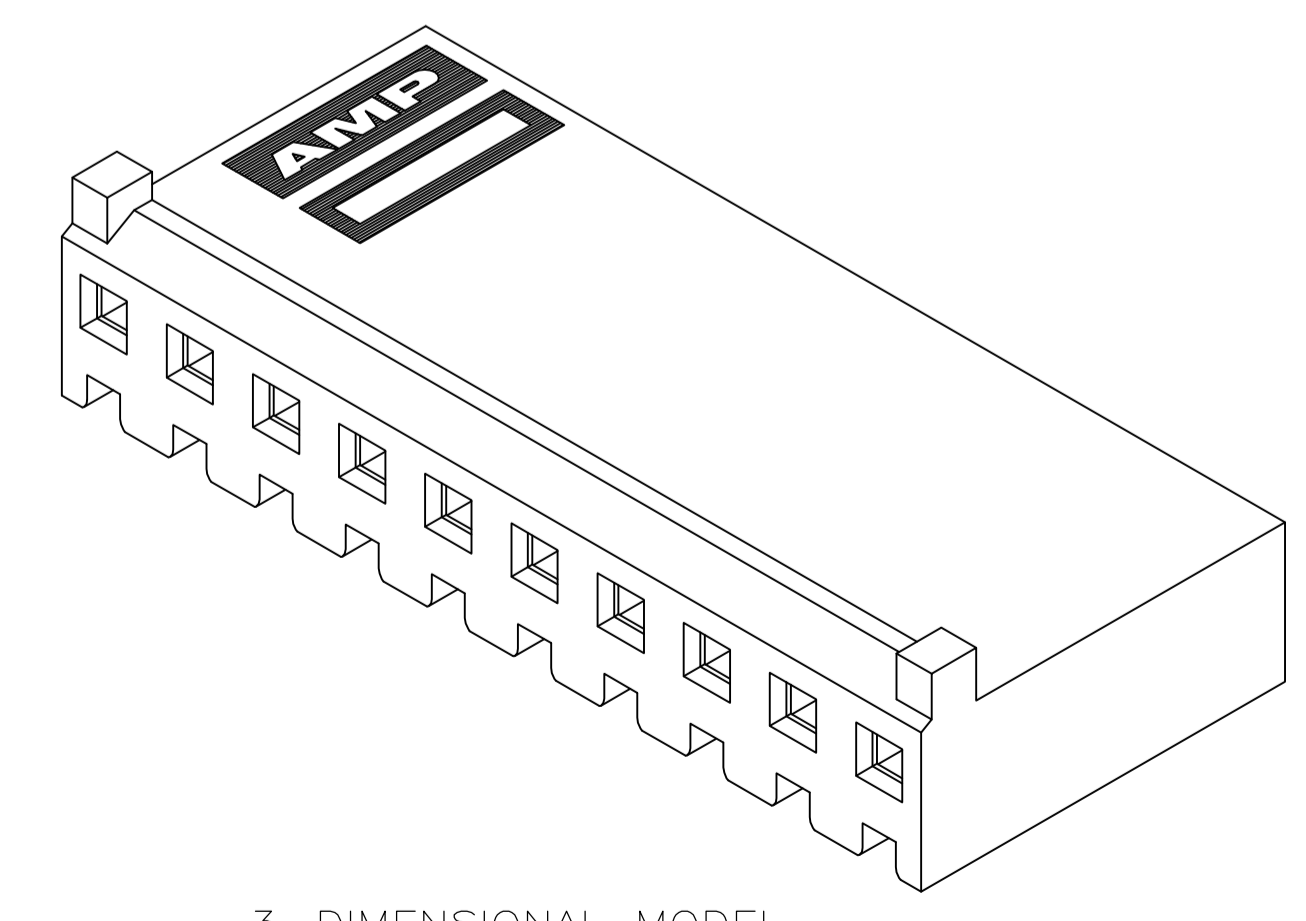
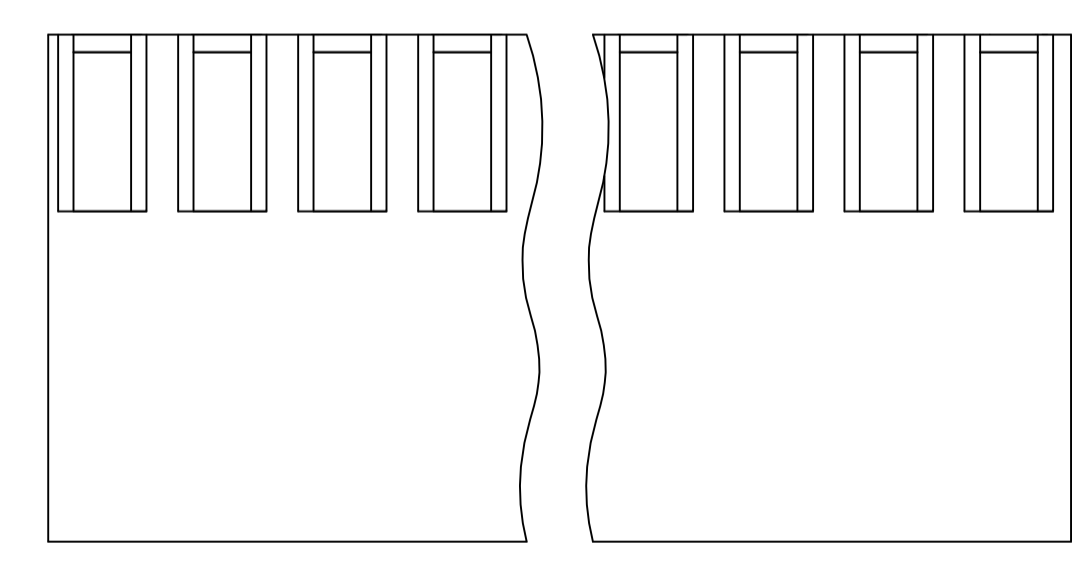
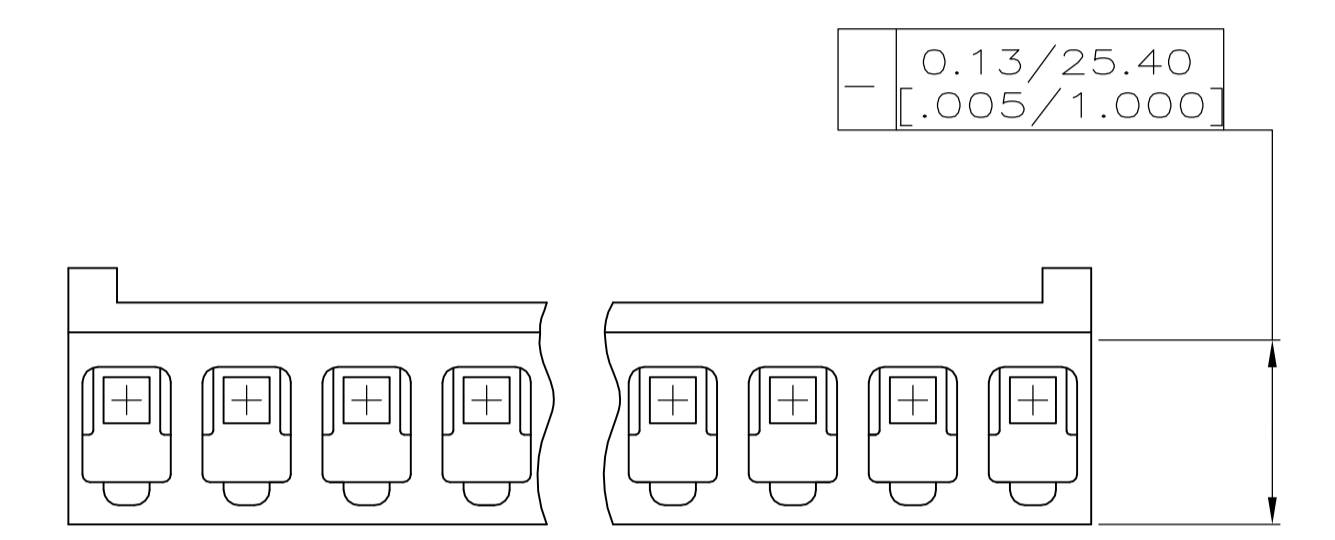
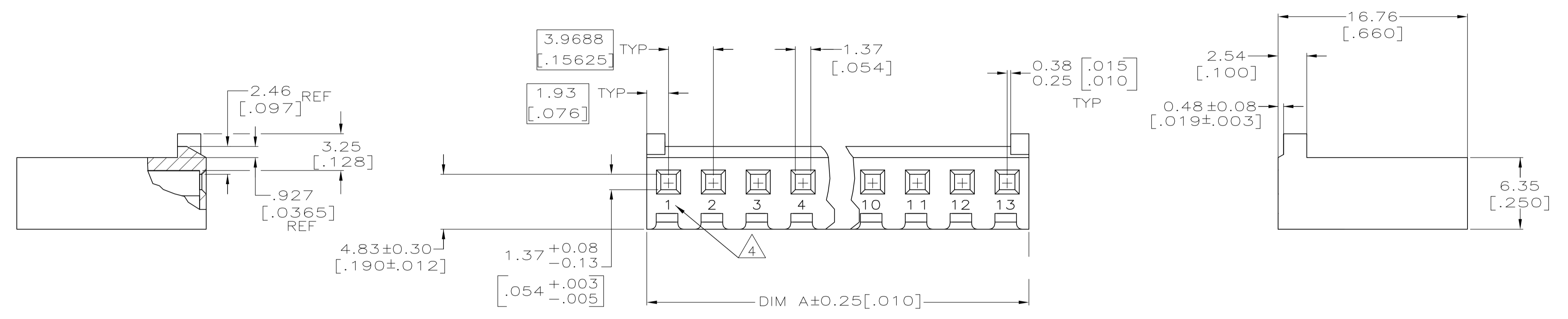


LOC		DIST		REVISIONS			
P	LTR	DESCRIPTION	DATE	DWN	APVD		
D		REVISED PER ECO-12-007810	27JUL12	KH	SM		



- 1 UNIT ACCEPTS 1.14[.045] SQUARE OR ROUND POST.
- 2 UNIT ACCEPTS STANDARD SL-156 CONTACTS.
- 3 UNIT ACCEPTS KEYING PLUG 640254-1 AND KEYING PIN 640255-1.
- 4 IDENTIFICATION NUMBER FOR ALL POSITIONS, OR FOR POSITION 1 ONLY, WILL BE LOCATED AS SHOWN.
- 5 OPTIONAL CONSTRUCTION, BOTH ENDS.
- 6 DIMENSIONS IN BRACKETS ARE IN INCHES.



3-DIMENSIONAL MODEL NTS

1.871	47.52	12	1-647288-2
1.715	43.56	11	1-647288-1
1.558	39.57	10	1-647288-0
1.402	35.61	9	647288-9
1.246	31.65	8	647288-8
1.090	27.69	7	647288-7
.933	23.70	6	647288-6
.777	19.74	5	647288-5
.621	15.77	4	647288-4
.465	11.81	3	647288-3
.308	7.82	2	647288-2
[IN]	MM		
DIM A		NO OF POSN	PART NUMBER

THIS DRAWING IS A CONTROLLED DOCUMENT.

DIMENSIONS: mm [INCHES]	TOLERANCES UNLESS OTHERWISE SPECIFIED:	DIN S. HOOVER 06-NOV-2003	APVD J. ELLIS 06-NOV-2003
0. PLC ±	1. PLC ±	06-NOV-2003	NAME
2. PLC ±	3. PLC ± 0.13 [.005]		APPLICATION SPEC
4. PLC ±	ANGLES ± 0.30°		SIZE CASE CODE DRAWING NO
MATERIAL NYLON,UL94V-0, BLACK	FINISH		RESTRICTED TO

METRIC

STE TE Connectivity

HOUSING WITH LOCKING RAMP & POLARIZING TAB, SL-156, SPECIAL, BLACK

WEIGHT A1 00779 C=647288

CUSTOMER DRAWING SCALE 4:1 SHEET 1 OF 1 REV D