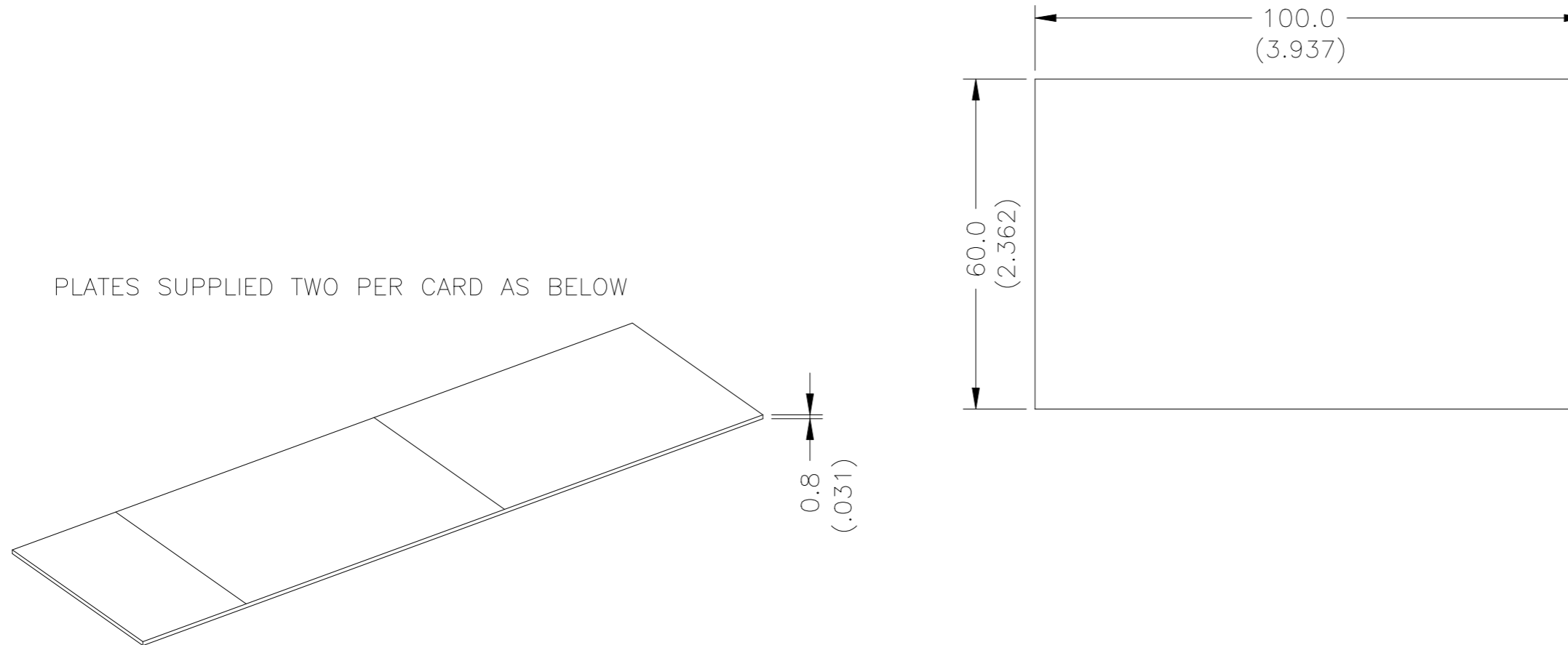



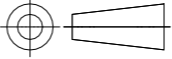
REVISIONS

P	LTR	DESCRIPTION	DATE	DWN	APVD
	1	INITIAL RELEASE	23MAR2021	AFK	LS

PLATES SUPPLIED TWO PER CARD AS BELOW



Part No.	Description	Markers per Card	Cards per Pack	Card weight g	Color
1SNA235878R0000	PAT60100	2	11	3.64	White

THIS DRAWING IS A CONTROLLED DOCUMENT.		DWN AFK	22MAR2021	 TE Connectivity					
DIMENSIONS: mm [INCHES]		CHK ALE	22MAR2021				NAME		
		APVD LS	22MAR2021				PRODUCT SPEC		
TOLERANCES UNLESS OTHERWISE SPECIFIED:		APPLICATION SPEC		SELF ADHESIVE PVC PANEL PLATE (PAT)					
0 PLC ± - 1 PLC ± - 2 PLC ± - 3 PLC ± - 4 PLC ± - ANGLES ± -		-		SIZE	CAGE CODE	DRAWING NO	RESTRICTED TO		
MATERIAL PVC		FINISH -		WEIGHT 3.64g/CARD	A3	00779	C-PAT_PANEL_PLATE		
CUSTOMER DRAWING				SCALE NTS	SHEET 1 OF 1	REV 1			