



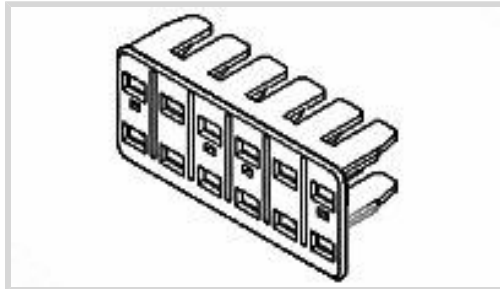
AMP | Sealed Sensor Connector SSC System

TE Internal #: 184058-1

Automotive Connector Locks & Position Assurance, TPA (Terminal Position Assurance), Yellow, PBT GF, Sealed Sensor Connector SSC System

[View on TE.com >](#)

Connectors > Automotive Connectors > Automotive Connector Accessories > Automotive Connector Locks & Position Assurance



Connector & Contact Retention Accessory Type: **TPA (Terminal Position Assurance)**

Primary Product Color: **Yellow**

Primary Product Material: **PBT GF**

Operating Temperature Range: **-40 – 120 °C [-40 – 248 °F]**

Features

Product Type Features

Connector & Contact Retention Accessory Type	TPA (Terminal Position Assurance)
--	-----------------------------------

Body Features

Primary Product Color	Yellow
Primary Product Material	PBT GF

Usage Conditions

Operating Temperature Range	-40 – 120 °C[-40 – 248 °F]
-----------------------------	----------------------------

Industry Standards

UL Flammability Rating	UL 94HB
------------------------	---------

Packaging Features

Packaging Quantity	5400
Packaging Method	Package

Other

Serviceable	Yes
-------------	-----

Product Compliance

[For compliance documentation, visit the product page on TE.com>](#)

EU RoHS Directive 2011/65/EU	Compliant
EU ELV Directive 2000/53/EC	Compliant



China RoHS 2 Directive MIIT Order No 32, 2016	No Restricted Materials Above Threshold
EU REACH Regulation (EC) No. 1907/2006	Current ECHA Candidate List: JUNE 2023 (235) Candidate List Declared Against: JAN 2023 (233) Does not contain REACH SVHC
Halogen Content	Low Halogen - Br, Cl, F, I < 900 ppm per homogenous material. Also BFR/CFR/PVC Free
Solder Process Capability	Not applicable for solder process capability

Product Compliance Disclaimer

This information is provided based on reasonable inquiry of our suppliers and represents our current actual knowledge based on the information they provided. This information is subject to change. The part numbers that TE has identified as EU RoHS compliant have a maximum concentration of 0.1% by weight in homogenous materials for lead, hexavalent chromium, mercury, PBB, PBDE, DBP, BBP, DEHP, DIBP, and 0.01% for cadmium, or qualify for an exemption to these limits as defined in the Annexes of Directive 2011/65/EU (RoHS2). Finished electrical and electronic equipment products will be CE marked as required by Directive 2011/65/EU. Components may not be CE marked. Additionally, the part numbers that TE has identified as EU ELV compliant have a maximum concentration of 0.1% by weight in homogenous materials for lead, hexavalent chromium, and mercury, and 0.01% for cadmium, or qualify for an exemption to these limits as defined in the Annexes of Directive 2000/53/EC (ELV). Regarding the REACH Regulation, the information TE provides on SVHC in articles for this part number is based on the latest European Chemicals Agency (ECHA) 'Guidance on requirements for substances in articles' posted at this URL: <https://echa.europa.eu/guidance-documents/guidance-on-reach>

Compatible Parts

 <p>TE Part # 184115-1 12 POS. PLUG ASSY</p>	 <p>TE Part # 184452-1 6 POS SSC PLUG ASSY, BLKD CKTS</p>	 <p>TE Part # 184124-1 6 POS./6 CIRC. PLUG ASSY,KEY B</p>	 <p>TE Part # 184097-1 12 POS. PLUG ASSY</p>
 <p>TE Part # 184099-1 12 POS. PLUG ASSY</p>	 <p>TE Part # 184291-1 12 POS. PLUG ASSY</p>	 <p>TE Part # 184455-1 ASSY,SSC,2X6 PLUG,C3,KEY A,1-9-11 BLKD</p>	

Also in the Series | **Sealed Sensor Connector SSC System**



Automotive Connector Caps & Covers (7)



Automotive Connector Locks & Position Assurance(6)



Automotive Housings(177)



Automotive Terminals(8)



Connector Seals & Cavity Plugs(3)



Insertion & Extraction Tools(1)



Other Automotive Connector Accessories(6)

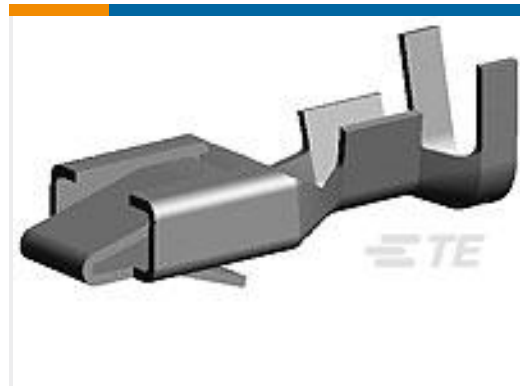
Customers Also Bought



TE Part #HD10-9-96PE
SQ FG REC ASM



TE Part #HD34-24-21SE
REC, 21P, AL, E, 12/16, S



TE Part #640417-1
BLADE REC 250 18-14AWG BR



TE Part #184032-1
3 POS. PLUG ASSY, KEY A



TE Part #61118-6
CMNL PIN 20-14 AUNIPH BZ



TE Part #1028-024-0305
BKSHL, 3P, BLK, REC, ST, NW 8.5



TE Part #170225-2
RING TERMINAL AUTOMATIC 22-18
AWG TP



TE Part #40668
RING TERMINAL 22-16 AWG BR



TE Part #184020-1
2 POS. PLUG ASSY, KEY L, NAT



TE Part #566440-2
EF THRU SPLICE "G" EAPR110F

Documents



Product Drawings

12 POS. PLUG DLP

English

CAD Files

3D PDF

English

Customer View Model

[ENG_CVM_184058-1_O.2d_dxf.zip](#)

English

Customer View Model

[ENG_CVM_184058-1_O.3d_igs.zip](#)

English

Customer View Model

[ENG_CVM_184058-1_O.3d_stp.zip](#)

English

By downloading the CAD file I accept and agree to the [Terms and Conditions](#) of use.

Product Specifications

Application Specification

English