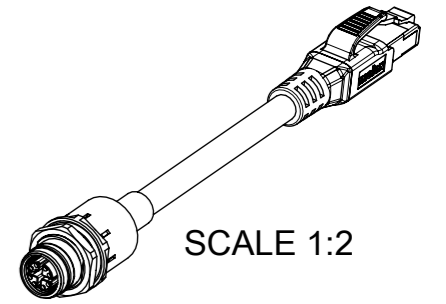


BILL OF MATERIAL

ITEM	QTY	DESCRIPTION	MATERIAL	FINISH/COLOR
1	1	SHELL M12 XC FE	BRASS	Ni PLATED
2	1	PLUG RJ45	-	-
3	1	INSERT M12 XC FE	PA	BLACK
4	8	CONTACT M12 XC FE	BRASS	Au PLATED
5	1	LOCKNUT	BRASS	Ni PLATED
6	1	CABLE 4X(2X AWG26/7) CAT 7	TPE	GREEN
7	1	SHIELD SLEEVE	BRASS	Ni PLATED
8	1	OVERMOULD	TPU	BLACK
9	8	CONTACT RJ45	PHOSPHOR BRONZE	SELECTIVE GOLD
10	1	O-RING	FPM	RED
11	1	O-RING SHELL	EPDM	BLACK
12	-	ID CARRIER	PVC	TRANSPARENT
13	1	LABEL 2.0X1.75	VINYL	YELLOW



FUNCTIONAL SYMBOLS FA = 0 FE = 2 EV = 0 DIVISIONAL SYMBOLS	THIS DRAWING CONTAINS INFORMATION THAT IS PROPRIETARY TO MOLEX ELECTRONIC TECHNOLOGIES, LLC AND SHOULD NOT BE USED WITHOUT WRITTEN PERMISSION DIMENSION UNITS: mm SCALE: 2:1 GENERAL TOLERANCES (UNLESS SPECIFIED) ANGULAR TOL ± 1.0° 4 PLACES ± 3 PLACES ± 2 PLACES ± 0.05 1 PLACE ± 0.3 0 PLACES ± 0.5 DRAFT WHERE APPLICABLE MUST REMAIN WITHIN DIMENSIONS	CURRENT REV DESC: NOTE CHANGED EC NO: 692351 DRWN: ARPITT CHK'D: RSILLER APPR: RSILLER INITIAL REVISION: DRWN: RSCHEBER APPR: RSILLER 2022/01/20 2022/01/25 2022/01/25 2019/05/14 2020/12/09	molex REC M12 CAT6A RJ45 8P FE STR TPE XM PRODUCT CUSTOMER DRAWING	
	DOCUMENT NUMBER: 1203410890 DOC TYPE: PSD DOC PART: 000 REVISION: A5	MATERIAL NUMBER: SEE TABLE 1 CUSTOMER: GENERAL MARKET SHEET NUMBER: 1 OF 2		
	DRAFT WHERE APPLICABLE MUST REMAIN WITHIN DIMENSIONS THIRD ANGLE PROJECTION DRAWING: A3-SIZE SERIES: 120341			

TABLE 1

MOLEX P/N	ENGINEERING NO.	DESCRIPTION	LENGTH (mm)
1203410890	ERWPEU7021M005	M12 CAT6A REC-F/RJ45 ST TPE GREEN 0.5M	500
1203410891	ERWPEU7021M010	M12 CAT6A REC-F/RJ45 ST TPE GREEN 1M	1000
1203410892	ERWPEU7021M020	M12 CAT6A REC-F/RJ45 ST TPE GREEN 2M	2000
1203410958	ERWPEU7021M030	M12 CAT6A REC-F/RJ45 ST TPE GREEN 3M	3000
1203410959	ERWPEU7021M040	M12 CAT6A REC-F/RJ45 ST TPE GREEN 4M	4000
1203410893	ERWPEU7021M050	M12 CAT6A REC-F/RJ45 ST TPE GREEN 5M	5000
1203410894	ERWPEU7021M100	M12 CAT6A REC-F/RJ45 ST TPE GREEN 10M	10000
WITH ID CARRIER			
1203411009	ERWPEU7021M004H	M12 CAT6A REC-F/RJ45 ST TPE GREEN 0.4M	400
1203411010	ERWPEU7021M005H	M12 CAT6A REC-F/RJ45 ST TPE GREEN 0.5M	500
1203411011	ERWPEU7021M006H	M12 CAT6A REC-F/RJ45 ST TPE GREEN 0.6M	600
1203411012	ERWPEU7021M010H	M12 CAT6A REC-F/RJ45 ST TPE GREEN 1M	1000
1203411013	ERWPEU7021M020H	M12 CAT6A REC-F/RJ45 ST TPE GREEN 2M	2000
1203411070	ERWPEU7021M030H	M12 CAT6A REC-F/RJ45 ST TPE GREEN 3M	3000
1203411071	ERWPEU7021M040H	M12 CAT6A REC-F/RJ45 ST TPE GREEN 4M	4000
1203411072	ERWPEU7021M050H	M12 CAT6A REC-F/RJ45 ST TPE GREEN 5M	5000
1203411073	ERWPEU7021M060H	M12 CAT6A REC-F/RJ45 ST TPE GREEN 6M	6000
1203411074	ERWPEU7021M070H	M12 CAT6A REC-F/RJ45 ST TPE GREEN 7M	7000
1203411075	ERWPEU7021M080H	M12 CAT6A REC-F/RJ45 ST TPE GREEN 8M	8000
1203411076	ERWPEU7021M100H	M12 CAT6A REC-F/RJ45 ST TPE GREEN 10M	10000
1203411077	ERWPEU7021M120H	M12 CAT6A REC-F/RJ45 ST TPE GREEN 12M	12000
1203411078	ERWPEU7021M150H	M12 CAT6A REC-F/RJ45 ST TPE GREEN 15M	15000
1203411079	ERWPEU7021M200H	M12 CAT6A REC-F/RJ45 ST TPE GREEN 20M	20000
1203411080	ERWPEU7021M250H	M12 CAT6A REC-F/RJ45 ST TPE GREEN 25M	25000
1203411081	ERWPEU7021M300H	M12 CAT6A REC-F/RJ45 ST TPE GREEN 30M	30000
1203411082	ERWPEU7021M350H	M12 CAT6A REC-F/RJ45 ST TPE GREEN 35M	35000
1203411083	ERWPEU7021M400H	M12 CAT6A REC-F/RJ45 ST TPE GREEN 40M	40000
1203411084	ERWPEU7021M450H	M12 CAT6A REC-F/RJ45 ST TPE GREEN 45M	45000
1203411085	ERWPEU7021M500H	M12 CAT6A REC-F/RJ45 ST TPE GREEN 50M	50000
1203411086	ERWPEU7021M550H	M12 CAT6A REC-F/RJ45 ST TPE GREEN 55M	55000
1203411087	ERWPEU7021M600H	M12 CAT6A REC-F/RJ45 ST TPE GREEN 60M	60000
1203411088	ERWPEU7021M650H	M12 CAT6A REC-F/RJ45 ST TPE GREEN 65M	65000
1203411089	ERWPEU7021M700H	M12 CAT6A REC-F/RJ45 ST TPE GREEN 70M	70000
1203411090	ERWPEU7021M750H	M12 CAT6A REC-F/RJ45 ST TPE GREEN 75M	75000
1203411091	ERWPEU7021M800H	M12 CAT6A REC-F/RJ45 ST TPE GREEN 80M	80000

NOTES:

VOLTAGE RATING: 30 V A.C. OR 42 V D.C.

CURRENT RATING: 0.5 A

TEMPERATURE RATING:

STATIC: -40 °C TO 80 °C

DYNAMIC: -25 °C TO 80 °C

IP RATING:

M12 SIDE IP 67 (IN MATED AND LOCKED CONDITION)

RJ45 SIDE IP 20


TRANSMISSION CHARACTERISTICS ACCORDING TO ISO/IEC 11801 CLASS E_A CHANNEL,

WITH INSERTION LOSS BEING IGNORED FOR CABLE LENGTHS < 1 m OR > 65 m

PACKAGING: CORDSETS ARE PACKED IN A POLYBAG

CABLE LENGTH TOLERANCES

LENGTH	TOLERANCE
0 m - 1 m	+40 mm
>1 m - 5 m	+60 mm
>5 m - 10 m	+80 mm
>10 m - 20 m	+140 mm
>20 m - 30 m	+160 mm
>30 m	+1% length

FUNCTIONAL SYMBOLS ∇/A = 0 ∇/E = 0 ∇/P = 0	THIS DRAWING CONTAINS INFORMATION THAT IS PROPRIETARY TO MOLEX ELECTRONIC TECHNOLOGIES, LLC AND SHOULD NOT BE USED WITHOUT WRITTEN PERMISSION	CURRENT REV DESC: NOTE CHANGED		 REC M12 CAT6A RJ45 8P FE STR TPE XM		
	DIMENSION UNITS: mm	SCALE: 1:1	GENERAL TOLERANCES (UNLESS SPECIFIED)			
DIVISIONAL SYMBOLS	ANGULAR TOL ± 1.0 °		EC NO: 692351		2022/01/20	
	4 PLACES ±		DRWN: ARPITT		2022/01/25	
	3 PLACES ±		CHK'D: RSILLER		2022/01/25	
	2 PLACES ± 0.05		APPR: RSILLER		2022/01/25	
1 PLACE ± 0.3		INITIAL REVISION:		DOCUMENT NUMBER		
0 PLACES ± 0.5		DRWN: RSCHIEBER		1203410890		
DRAFT WHERE APPLICABLE MUST REMAIN WITHIN DIMENSIONS		APPR: RSILLER		DOC TYPE: PSD		
THIRD ANGLE PROJECTION		DRAWING: A3-SIZE		DOC PART: 000		
SERIES: 120341		MATERIAL NUMBER: SEE TABLE 1		REVISION: A5		
CUSTOMER: GENERAL MARKET		SHEET NUMBER: 2 OF 2				