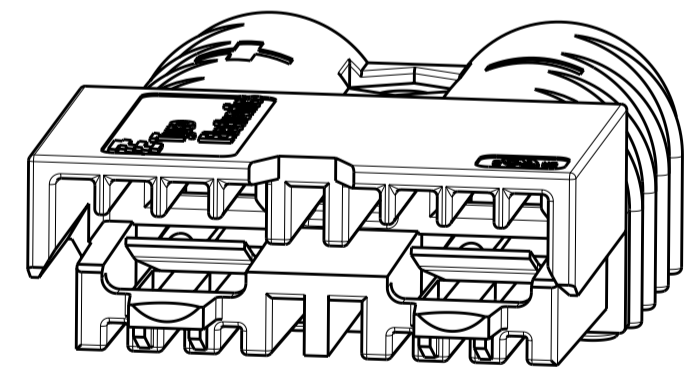
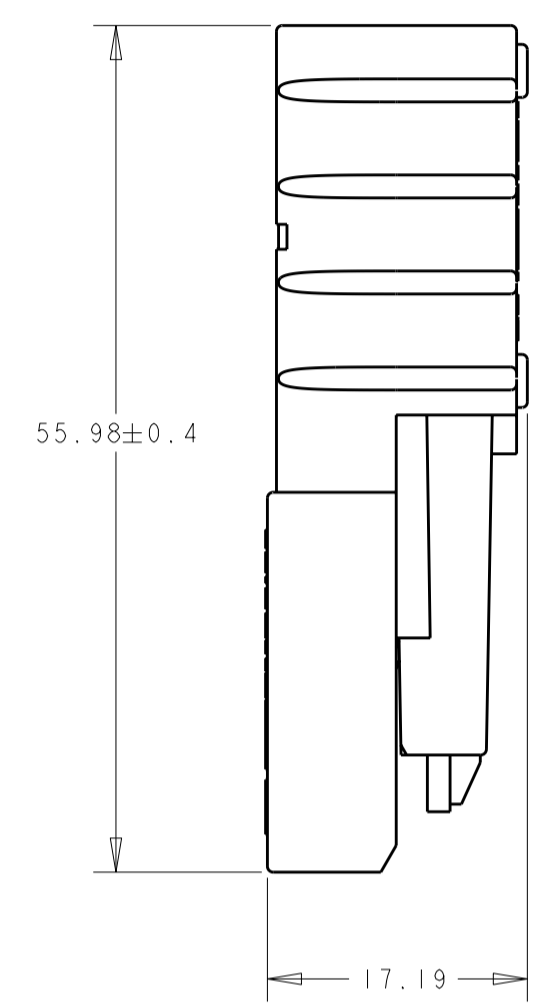
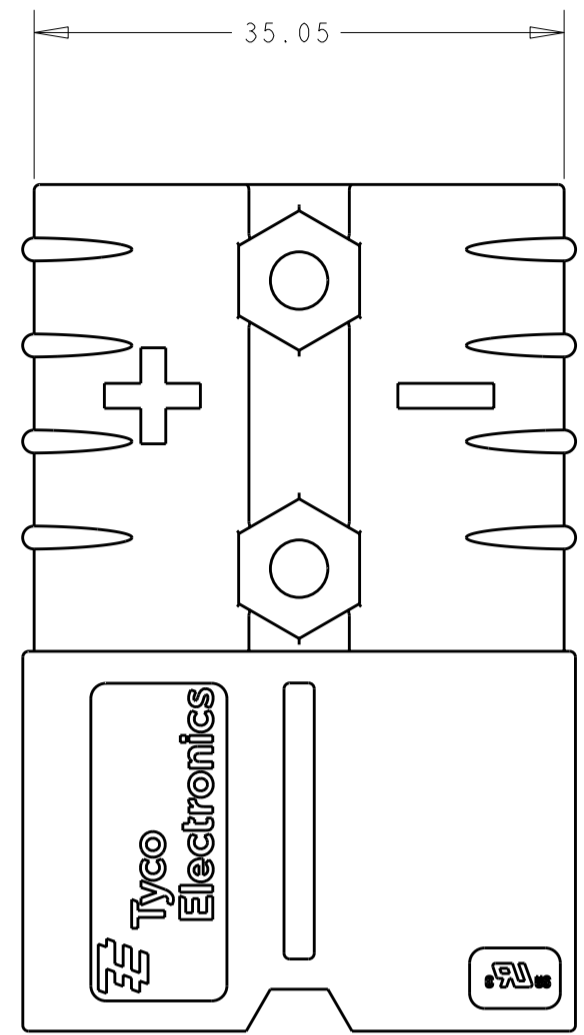
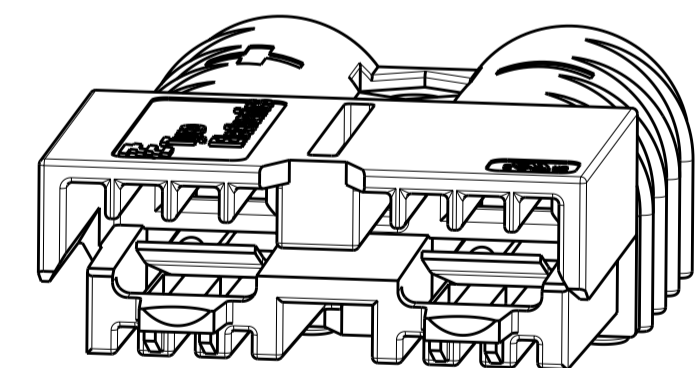


THIS DRAWING IS UNPUBLISHED. RELEASED FOR PUBLICATION 20
 © COPYRIGHT 20 BY TYCO ELECTRONICS CORPORATION. ALL RIGHTS RESERVED.

| LOC | DIST | REVISIONS | | | |
|-----|------|-------------|-------------------------------|-----------|--------|
| P | LTR | DESCRIPTION | DATE | DWN | APVD |
| CM | 00 | 01 | REVISED PER PER ECR-10-010379 | 24MAY2010 | HMR JR |
| | | | | | |
| | | | | | |



1604342-1



1604342-2

THIS PRODUCT HAS PASSED VERIFICATION AND AGENCY APPROVALS TESTING AND IS COMPONENT RECOGNIZED PER UL 1977 AND CSA 22.2. TYCO ELECTRONICS PRODUCT QUALIFICATION TESTING IS NOT YET COMPLETE.

| | |
|-------|-------------|
| WHITE | 1604342-2 |
| BROWN | 1604342-1 |
| COLOR | PART NUMBER |



| | | | |
|--|---|--|--|
| <small>THIS DRAWING IS A CONTROLLED DOCUMENT FOR TYCO ELECTRONICS CORPORATION. IT IS SUBJECT TO CHANGE AND THE CONTROLLING ENGINEERING ORGANIZATION SHOULD BE CONTACTED FOR THE LATEST REVISION.</small> | | DWN B. HAYMAKER 04JUN2002 CHK R. WALTER 04JUN2002 APVD R. WALTER 04JUN2002 | Tyco Electronics Harrisburg, PA 17105-3608 |
| DIMENSIONS: mm | TOLERANCES UNLESS OTHERWISE SPECIFIED: 0 PLC ± 1 PLC ± 2 PLC ±0.13 3 PLC ± 4 PLC ± ANGLES ± FINISH | NAME ASSEMBLY, 50 SERIES POWER CONNECTOR, FINGER PROOF PRODUCT SPEC - APPLICATION SPEC - WEIGHT - | SIZE A2 CAGE CODE 00779 DRAWING NO. C-1604342 RESTRICTED TO - |
| MATERIAL - | | CUSTOMER DRAWING | |
| | | SCALE 2:1 | SHEET 1 OF 1 REV 01 |